

SOLID STATE AREA LIGHTING

DSDPL SERIES - VLED

FEATURES

Luminaire

Upper housing is heavy gauge cast aluminum (min. .125" wall; alloy >0.2% Cu for DSDPL25) or spun aluminum with reveal (.125" min. wall for DSDPL22). Lower housing is 0.080" thick spun aluminum with integrated LED module seat. Lower housing is vented at top and bottom for convective cooling of LED module. Top Driver chamber is barriered from LED Module chamber. Truelevel ball coupling mount is welded to housing and facilitates quick leveling and installation. Upper Housing with lit windows. LED Optic provides soft glow from diffuse windows. Circuited separately from main optical module.

✓LED Optics

Low copper (A356 Alloy; <0.2% Cu) cast aluminum housing. Integrated clear tempered glass lens sealed with a continuous silicone gasket protects emitters (LED's), Reflector-Prism optics, and seals the module from water intrusion and environmental contaminants. Module is sealed to meet an IP67 rating. Each emitter is optically controlled by a Reflector-Prism injection molded from H12 acrylic (3 types per module; one from 0° - 50°; one from 50° - 65°; one from 65° - 72°). Each Reflector-Prism is secured to an optical plate made of matte black anodized aluminum has indexing pins for precise aiming. The optical plate locates every Reflector-Prism over an emitter, are inserted to the optical plate from above and are secured with a UV curing adhesive. The Reflector-Prisms are arrayed to produce IES Type II, III, IV, and V-SQ distributions. The entire Optical Module is field rotatable in 90° increments. Both module and drivers are factory wired using water resistant, insulated cord.

LED Emitters

High output LED's are utilized with drive currents ranging from 350mA to 700mA. 70CRI Minimum. LED's are available in standard Neutral White (4000K), or optional Cool White (5000K) or Warm White (3000K). Consult Factory for other LED options.

LED Driver

Constant current programmable electronic with a power factor of >.90 and a minimum operating temperature of -40°F/-40°C. Driver(s) is/are UL and cUL recognized. In-line terminal blocks facilitate wiring between the driver and optical arrays. Drivers accept an input of 120-277V, 50/60Hz or 347V-480V, 50,60Hz. (0 - 10V dimmable driver is standard. Driver has a minimum of 3KV internal surge protection. Luminaire supplied with 20KV surge protector for field installation.)

Amber LED's

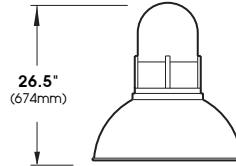
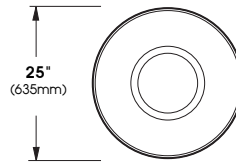
PCA (Phosphor Converted Amber) LED's utilize phosphors to create color output similar to LPS lamps and have a slight output in the blue spectral bandwidth. TRA (True Amber) LED's utilize material that emits light in the amber spectral bandwidth only without the use of phosphors.

Finish

Polyester powder coat incorporates four step iron phosphate process to pretreat metal surface for maximum adhesion. Top coat is baked at 400°F for maximum hardness and exterior durability.

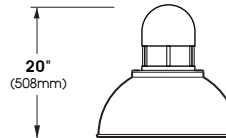
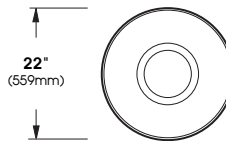
PROJECT NAME: _____

FIXTURE TYPE: _____



DSDPL25

Patent pending



DSDPL22

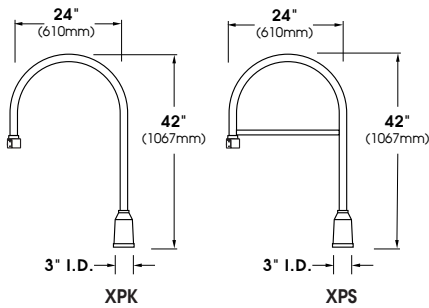
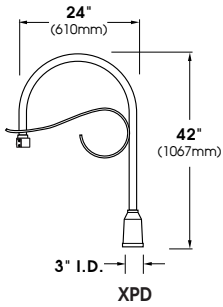
(Formerly DSDPL1)

Patent pending

DSDPL SERIES - VLED

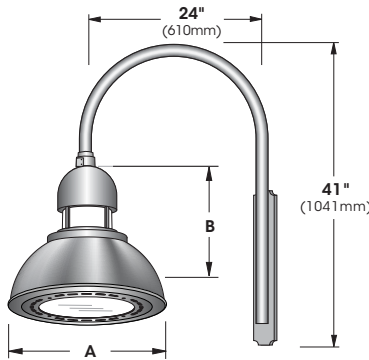
SPECIFICATIONS

Mounting Styles



Arms are heavy wall extruded aluminum construction. For additional arm options see arm section.

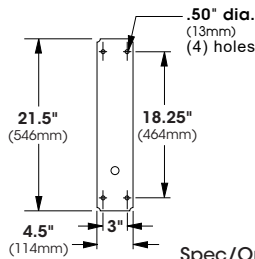
Wall Mount



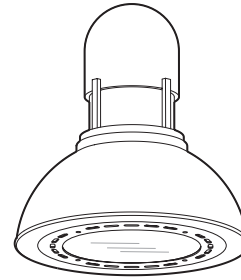
Fixture	A	B
DSDPL25	25" (635mm)	26.5" (674mm)
DSDPL22	22" (559mm)	20" (508mm)

Extruded and cast aluminum construction.

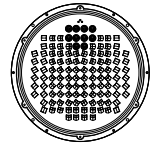
Wall Plate



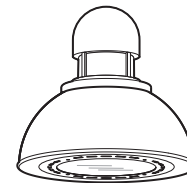
VLED® Modules



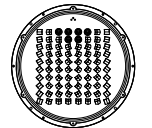
DSDPL25 E.P.A. = 1.80
Available in:
120 LED Module Max



120 LED Module



DSDPL22 E.P.A. = 1.19
Available in:
80 LED Module Max



80 LED Module

ORDERING INFORMATION

Spec/Order Example: DSDPL25/VLED-III-W/80LED-525mA/NW/277/1/RAL-7005-S

Luminaire	Optics	LED Mode	Voltage	Mounting	Finish	Options																														
Luminaire	Optics	LED	Voltage	Mounting	Finish	Options																														
<input type="checkbox"/> DSDPL25-VLED <input type="checkbox"/> DSDPL22-VLED (Formerly DSDPL1)	VLED® IES Distribution Type <input type="checkbox"/> Type II VLED-II <input type="checkbox"/> Type III VLED-III <input type="checkbox"/> Type IV VLED-IV <input type="checkbox"/> Type V Med. VLED-V-SQ	<table border="0"> <tr> <td># of LEDs</td> <td>Drive Current</td> <td>Color Temp - CCT</td> </tr> <tr> <td>DSDPL25</td> <td></td> <td></td> </tr> <tr> <td><input type="checkbox"/> 120LED¹</td> <td><input type="checkbox"/> 700mA</td> <td><input type="checkbox"/> NW (4000K)*</td> </tr> <tr> <td><input type="checkbox"/> 100LED¹</td> <td><input type="checkbox"/> 525mA</td> <td><input type="checkbox"/> CW (5000K)</td> </tr> <tr> <td><input type="checkbox"/> 80LED</td> <td><input type="checkbox"/> 350mA</td> <td><input type="checkbox"/> WW (3000K)</td> </tr> <tr> <td><input type="checkbox"/> 64LED</td> <td></td> <td>Other LED Colors Available Consult Factory</td> </tr> <tr> <td>DSDPL22</td> <td></td> <td>Amber²</td> </tr> <tr> <td><input type="checkbox"/> 80LED¹</td> <td></td> <td><input type="checkbox"/> Phosphor Converted Amber PCA</td> </tr> <tr> <td><input type="checkbox"/> 64LED</td> <td></td> <td><input type="checkbox"/> True Amber¹ TRA</td> </tr> <tr> <td><input type="checkbox"/> 48LED</td> <td></td> <td></td> </tr> </table>	# of LEDs	Drive Current	Color Temp - CCT	DSDPL25			<input type="checkbox"/> 120LED ¹	<input type="checkbox"/> 700mA	<input type="checkbox"/> NW (4000K)*	<input type="checkbox"/> 100LED ¹	<input type="checkbox"/> 525mA	<input type="checkbox"/> CW (5000K)	<input type="checkbox"/> 80LED	<input type="checkbox"/> 350mA	<input type="checkbox"/> WW (3000K)	<input type="checkbox"/> 64LED		Other LED Colors Available Consult Factory	DSDPL22		Amber ²	<input type="checkbox"/> 80LED ¹		<input type="checkbox"/> Phosphor Converted Amber PCA	<input type="checkbox"/> 64LED		<input type="checkbox"/> True Amber ¹ TRA	<input type="checkbox"/> 48LED			<input type="checkbox"/> 120 <input type="checkbox"/> 208 <input type="checkbox"/> 240 <input type="checkbox"/> 277 <input type="checkbox"/> 347 <input type="checkbox"/> 480	<input type="checkbox"/> XPK <input type="checkbox"/> XPS <input type="checkbox"/> XPD <input type="checkbox"/> 1 Wallmount <input type="checkbox"/> WM	Standard Textured Finish <input type="checkbox"/> Black RAL-9005-T <input type="checkbox"/> White RAL-9003-T <input type="checkbox"/> Grey RAL-7004-T <input type="checkbox"/> Dark Bronze RAL-8019-T <input type="checkbox"/> Green RAL-6005-T For smooth finish replace suffix "T" with suffix "S" (Example: RAL-9500-S) Consult factor for custom colors	<input type="checkbox"/> Stem Mount + Length(in) (48" Max) SM+L <input type="checkbox"/> Chain Mount + Length(in) (48" Max) CM+L <input type="checkbox"/> Internal House Side Shields inc. LED Count (Example: HS-VLED/48) HS-VLED <input type="checkbox"/> Twist Lock Receptable Only TPR <input type="checkbox"/> 7-Pin Twist Lock Receptable Only TPR7 <input type="checkbox"/> High-Low Dimming for Switch by Others/Select Levels 50/100 or 25/100 (Example: HLSW/25) HLSW <input type="checkbox"/> Photo Cell + Voltage (Example: PC120V) PC+V <input type="checkbox"/> Single Fuse (120V, 277V) SF <input type="checkbox"/> Double Fuse (208V, 240V) DF <input type="checkbox"/> Programmable Photo/Motion Sensor (Factory - Motion 50/100; Photo 75c) MS-F211 <input type="checkbox"/> Remote Motion Sensor Configurator MS-FC10
# of LEDs	Drive Current	Color Temp - CCT																																		
DSDPL25																																				
<input type="checkbox"/> 120LED ¹	<input type="checkbox"/> 700mA	<input type="checkbox"/> NW (4000K)*																																		
<input type="checkbox"/> 100LED ¹	<input type="checkbox"/> 525mA	<input type="checkbox"/> CW (5000K)																																		
<input type="checkbox"/> 80LED	<input type="checkbox"/> 350mA	<input type="checkbox"/> WW (3000K)																																		
<input type="checkbox"/> 64LED		Other LED Colors Available Consult Factory																																		
DSDPL22		Amber ²																																		
<input type="checkbox"/> 80LED ¹		<input type="checkbox"/> Phosphor Converted Amber PCA																																		
<input type="checkbox"/> 64LED		<input type="checkbox"/> True Amber ¹ TRA																																		
<input type="checkbox"/> 48LED																																				
		NOTES: 1 - Available in 350mA & 525mA Drive Currents only 2 - Narrow band Ambers have no definable CCT equivalent	See USALITG.COM for additional arm styles																																	



DSDPL SERIES - VLED

LED/ Electrical Guide (pg. 1)

LED Count	Source Type	Source	Initial Lumens - 4000K CCT	Initial Lumens - 3000K CCT	Initial Lumens - 5000K CCT	L70 greater than (HR)	Starting Temp.	System Watts	Volts	Max Input Amps
DSDPL22										
48	White LED	48 VLED® Optical Module - 350mA	6169 -	5860 -	6478 -	90,000+	-40°C	53/59	120	0.44/0.49
			6558	6230	6886				277	0.19/0.21
									347	0.15/0.17
48	White LED	48 VLED® Optical Module - 525mA	8494 -	8069 -	8919 -	90,000+	-40°C	77/83	120	0.64/0.69
			9031	8579	9482				277	0.28/0.3
									347	0.22/0.24
48	White LED	48 VLED® Optical Module - 700mA	10635 -	10103 -	11167 -	90,000+	-40°C	103/109	120	0.86/0.91
			11307	10742	11872				277	0.37/0.39
									347	0.3/0.31
64	White LED	64 VLED® Optical Module - 350mA	8225 -	7813 -	8636 -	90,000+	-40°C	69/75	120	0.58/0.63
			8338	7921	8755				277	0.25/0.27
									347	0.2/0.22
64	White LED	64 VLED® Optical Module - 525mA	11325 -	10759 -	11891 -	90,000+	-40°C	102/108	120	0.85/0.9
			11481	10907	12055				277	0.37/0.39
									347	0.29/0.31
80	White LED	80 VLED® Optical Module - 350mA	9675 -	9191 -	10159 -	90,000+	-40°C	87/93	120	0.73/0.78
			9808	9317	10298				277	0.31/0.34
									347	0.25/0.27
80	White LED	80 VLED® Optical Module - 525mA	13189 -	12529 -	13848 -	90,000+	-40°C	127/133	120	1.06/1.11
			13370	12701	14038				277	0.46/0.48
									347	0.37/0.38
DSDPL25										
48	White LED	48 VLED® Optical Module - 350mA	6169 -	5860 -	6478 -	90,000+	-40°C	53/59	120	0.44/0.49
			6558	6230	6886				277	0.19/0.21
									347	0.15/0.17
48	White LED	48 VLED® Optical Module - 525mA	8494 -	8069 -	8919 -	90,000+	-40°C	75/81	120	0.63/0.68
			9031	8579	9482				277	0.27/0.29
									347	0.22/0.23
48	White LED	48 VLED® Optical Module - 700mA	10635 -	10103 -	11167 -	90,000+	-40°C	105/111	120	0.88/0.93
			11307	10742	11872				277	0.38/0.4
									347	0.3/0.32
64	White LED	64 VLED® Optical Module - 350mA	8225 -	7813 -	8636 -	90,000+	-40°C	71/77	120	0.59/0.64
			8745	8308	9183				277	0.26/0.28
									347	0.2/0.22
64	White LED	64 VLED® Optical Module - 525mA	11325 -	10759 -	11891 -	90,000+	-40°C	103/109	120	0.86/0.91
			12042	11440	12644				277	0.37/0.39
									347	0.3/0.31
64	White LED	64 VLED® Optical Module - 700mA	13190 -	12531 -	13849 -	90,000+	-40°C	140/146	120	1.17/1.22
			13824	13133	14516				277	0.51/0.53
									347	0.4/0.42
80	White LED	80 VLED® Optical Module - 350mA	9675 -	9191 -	10159 -	90,000+	-40°C	87/93	120	0.73/0.78
			10286	9772	10801				277	0.31/0.34
									347	0.25/0.27
80	White LED	80 VLED® Optical Module - 525mA	13189 -	12529 -	13848 -	90,000+	-40°C	127/133	120	1.06/1.11
			14023	13322	14724				277	0.46/0.48
									347	0.37/0.38
80	White LED	80 VLED® Optical Module - 700mA	16487 -	15662 -	17311 -	90,000+	-40°C	173/179	120	1.44/1.49
			17280	16416	18144				277	0.62/0.65
									347	0.5/0.52
100	White LED	100 VLED® Optical Module - 350mA	11776 -	11187 -	12365 -	90,000+	-40°C	108/114	120	0.9/0.95
			12304	11689	12919				277	0.39/0.41
									347	0.31/0.33
100	White LED	100 VLED® Optical Module - 525mA	16291 -	15476 -	17106 -	90,000+	-40°C	160/166	120	1.33/1.38
			17025	16174	17877				277	0.58/0.6
									347	0.46/0.48
120	White LED	120 VLED® Optical Module - 350mA	14129 -	13423 -	14836 -	90,000+	-40°C	129/135	120	1.08/1.13
			14765	14027	15503				277	0.47/0.49
									347	0.37/0.39
120	White LED	120 VLED® Optical Module - 525mA	19549 -	18572 -	20527 -	90,000+	-40°C	192/198	120	1.6/1.65
			20430	19408	21451				277	0.69/0.71
									347	0.55/0.57



DSDPL SERIES - VLED

LED Count	Source Type	Source	Initial Lumens	L70 greater than (HR)	Starting Temp.	System Watts	Volts	Max Input Amps
-----------	-------------	--------	----------------	-----------------------	----------------	--------------	-------	----------------

Phosphor Converted Amber LED

DSDPL22

48	PC Amber	48 VLED [®] Optical Module – 350mA	3208 - 3410	51,000+	-40°C	59	120	0.49
							277	0.21
							347	0.17
48	PC Amber	48 VLED [®] Optical Module – 525mA	4417 - 4696	51,000+	-40°C	86	120	0.72
							277	0.31
							347	0.25
48	PC Amber	48 VLED [®] Optical Module – 700mA	5530 - 5880	51,000+	-40°C	115	120	0.96
							277	0.42
							347	0.33
64	PC Amber	64 VLED [®] Optical Module – 350mA	4277 - 4547	51,000+	-40°C	80	120	0.67
							277	0.29
							347	0.23
64	PC Amber	64 VLED [®] Optical Module – 525mA	5889 - 6262	51,000+	-40°C	114	120	0.95
							277	0.41
							347	0.33
80	PC Amber	80 VLED [®] Optical Module – 350mA	5031 - 5349	51,000+	-40°C	97	120	0.81
							277	0.35
							347	0.28
80	PC Amber	80 VLED [®] Optical Module – 525mA	6858 - 7292	51,000+	-40°C	142	120	1.18
							277	0.51
							347	0.41

DSDPL25

48	PC Amber	48 VLED [®] Optical Module – 350mA	3208 - 3410	51,000+	-40°C	60	120	0.50
							277	0.22
							347	0.17
48	PC Amber	48 VLED [®] Optical Module – 525mA	4417 - 4696	51,000+	-40°C	84	120	0.70
							277	0.30
							347	0.24
48	PC Amber	48 VLED [®] Optical Module – 700mA	5530 - 5880	51,000+	-40°C	118	120	0.98
							277	0.43
							347	0.34
64	PC Amber	64 VLED [®] Optical Module – 350mA	4277 - 4547	51,000+	-40°C	80	120	0.67
							277	0.29
							347	0.23
64	PC Amber	64 VLED [®] Optical Module – 525mA	5889 - 6262	51,000+	-40°C	116	120	0.97
							277	0.42
							347	0.33
64	PC Amber	64 VLED [®] Optical Module – 700mA	6859 - 7189	51,000+	-40°C	157	120	1.31
							277	0.57
							347	0.45
80	PC Amber	80 VLED [®] Optical Module – 350mA	5031 - 5349	51,000+	-40°C	98	120	0.82
							277	0.35
							347	0.28
80	PC Amber	80 VLED [®] Optical Module – 525mA	6858 - 7292	51,000+	-40°C	142	120	1.18
							277	0.51
							347	0.41
80	PC Amber	80 VLED [®] Optical Module – 700mA	8573 - 8986	51,000+	-40°C	194	120	1.62
							277	0.70
							347	0.56
100	PC Amber	100 VLED [®] Optical Module – 350mA	6124 - 6398	51,000+	-40°C	121	120	1.01
							277	0.44
							347	0.35
100	PC Amber	100 VLED [®] Optical Module – 525mA	8471 - 8853	51,000+	-40°C	179	120	1.49
							277	0.65
							347	0.52
120	PC Amber	120 VLED [®] Optical Module – 350mA	7347 - 7678	51,000+	-40°C	145	120	1.21
							277	0.52
							347	0.42
120	PC Amber	120 VLED [®] Optical Module – 525mA	10166 - 10624	51,000+	-40°C	215	120	1.79
							277	0.78
							347	0.62



DSDPL SERIES - VLED

LED/ Electrical Guide (pg. 3)

LED Count	Source Type	Source	Initial Lumens	L70 greater than (HR)	Starting Temp.	System Watts	Volts	Max Input Amps
True Amber LED - 590nm								

DSDPL22

48	True Amber	48 VLED® Optical Module - 350mA	1841 - 1957	66,500+	-40°C	41	120	0.34
							277	0.15
							347	0.12
48	True Amber	48 VLED® Optical Module - 525mA	2535 - 2695	66,500+	-40°C	60	120	0.50
							277	0.22
							347	0.17
64	True Amber	64 VLED® Optical Module - 350mA	2454 - 2610	66,500+	-40°C	55	120	0.46
							277	0.20
							347	0.16
64	True Amber	64 VLED® Optical Module - 525mA	3379 - 3593	66,500+	-40°C	80	120	0.67
							277	0.29
							347	0.23
80	True Amber	80 VLED® Optical Module - 350mA	2887 - 3070	66,500+	-40°C	66	120	0.55
							277	0.24
							347	0.19
80	True Amber	80 VLED® Optical Module - 525mA	3936 - 4185	66,500+	-40°C	98	120	0.82
							277	0.35
							347	0.28

DSDPL25

48	True Amber	48 VLED® Optical Module - 350mA	1841 - 1957	66,500+	-40°C	41	120	0.34
							277	0.15
							347	0.12
48	True Amber	48 VLED® Optical Module - 525mA	2535 - 2695	66,500+	-40°C	58	120	0.48
							277	0.21
							347	0.17
64	True Amber	64 VLED® Optical Module - 350mA	2454 - 2610	66,500+	-40°C	55	120	0.46
							277	0.20
							347	0.16
64	True Amber	64 VLED® Optical Module - 525mA	3379 - 3593	66,500+	-40°C	80	120	0.67
							277	0.29
							347	0.23
80	True Amber	80 VLED® Optical Module - 350mA	2887 - 3070	66,500+	-40°C	67	120	0.56
							277	0.24
							347	0.19
80	True Amber	80 VLED® Optical Module - 525mA	3936 - 4185	66,500+	-40°C	98	120	0.82
							277	0.35
							347	0.28
100	True Amber	100 VLED® Optical Module - 350mA	3514 - 3672	66,500+	-40°C	83	120	0.69
							277	0.30
							347	0.24
100	True Amber	100 VLED® Optical Module - 525mA	4861 - 5080	66,500+	-40°C	123	120	1.03
							277	0.44
							347	0.35
120	True Amber	120 VLED® Optical Module - 350mA	4216 - 4406	66,500+	-40°C	99	120	0.83
							277	0.36
							347	0.29
120	True Amber	120 VLED® Optical Module - 525mA	5834 - 6097	66,500+	-40°C	148	120	1.23
							277	0.53
							347	0.43

