

H.I.D. AREA LIGHTING

DSDR SERIES-HID

S P E C I F I C A T I O N S

HOUSING

Ballast housing is spun from .080" aluminum. Internal ballast support bracket also functions as mounting reinforcement plate with a minimum thickness of .125". Optical housing is spun from .080" aluminum, hemmed at the edges and internally finished in high-gloss white paint for maximum reflectance.

MOUNTING

When pendant mounted, the fixture housing is connected to the mounting arm by the Truelevel swivel which is internally welded to the housing and allows for fixture leveling prior to locking the swivel. When side arm mounted, the housing is externally welded to the mounting arm and the weld is blended to produce a smooth, continuous joint.

OPTICS

For Standard Polycarbonate Refractor - A clear prismatic polycarbonate lens, utilizing UvaLex® to retard yellowing from UV, seals against the housing with a closed cell EPDM gasket. Medium base (E26) or bi-pin base (G12) socket provided for the lamp. Lamp is vertically oriented.

For Optional Acrylic Refractor - A clear prismatic acrylic for lens seals against the housing with a closed cell EPDM gasket. Medium base (E26) or bi-pin base (G12) socket provided for the lamp. Lamp is vertically oriented.

ELECTRICAL COMPONENTS

All electrical components are UL and cUL recognized mounted on a single plate and factory wired with quick-disconnect. Electrical module attaches to housing with toolless hinge and latch. Electronic MH ballasts have power factor of >.95, -20°F starting, 120-277V 50Hz/60Hz and have lamp End-of-life protection. Magnetic MH ballasts are high power factor, -20°F starting, multi-tap 120-277V, 60Hz. All HPS ballasts are core and coil, high-reactance, high power factor, -40°F starting.

FINISH

Electrostatically applied TGIC Polyester Powder Coat on substrate prepared with 20 PSI power wash at 140° F. Four step iron phosphate pretreatment for protection and paint adhesion. 400°F bake for maximum hardness and durability. Texture finish is standard.

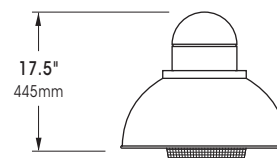
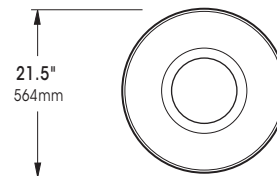
PROJECT NAME: _____

FIXTURE TYPE: _____



DSDR1

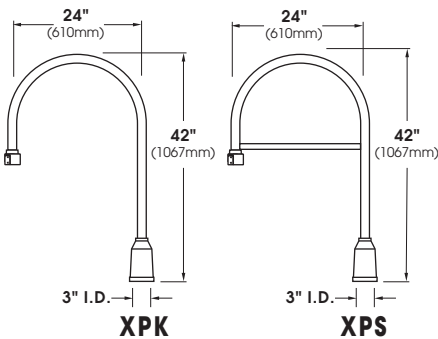
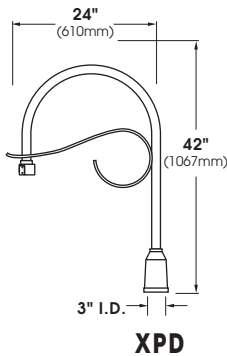
PATENT PENDING



DSDR SERIES - HID

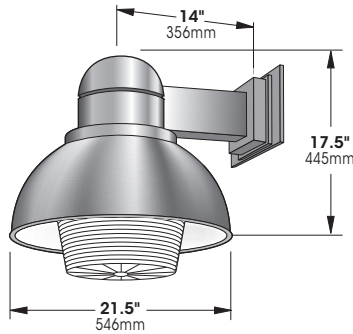
S P E C I F I C A T I O N S

MOUNTING STYLES



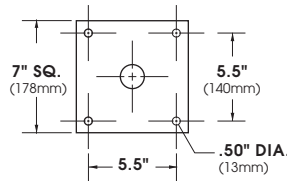
ARMS ARE HEAVY WALL EXTRUDED ALUMINUM CONSTRUCTION. FOR ADDITIONAL ARM OPTIONS SEE ARM SECTION.

WALL MOUNT

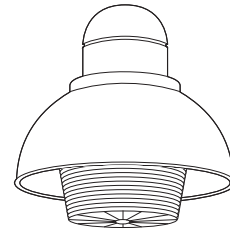


EXTRUDED ALUMINUM ARM AND CAST ALUMINUM WALL BRACKET ASSEMBLY PROVIDED WITH BUILT IN GASKETED WIRE ACCESS FOR FIXTURE/SUPPLY WIRE CONNECTION.

WALL PLATE



E.P.A. & LAMP WATTAGE



DSDR1 E.P.A.= 1.04
LAMP SIZE: 50 - 150WATT

Spec/Order Example: DSDR1/150HPS347/CA/1/RAL-9003-S/DF

S P E C / O R D E R I N G I N F O R M A T I O N

MODEL	WATTAGE	TYPE	VOLTAGE	OPTICS	MOUNTING	FINISH	OPTIONS
MODEL	LAMP			OPTICS	MOUNTING	FINISH	OPTIONS
<input type="checkbox"/> DSDR1	WATTAGE	TYPE	VOLTAGE	STANDARD	ARM MOUNT	STANDARD TEXTURED FINISH	<input type="checkbox"/> 3/8" IPS STEM MOUNT AND SWIVEL CANOPY (4'-0" MAX.) SM38 <input type="checkbox"/> CHAIN MOUNTED (4'-0" MAX.) CM <input type="checkbox"/> HOUSE SIDE SHIELD 90° HS 90° 135° HS 135° 180° HS 180° <input type="checkbox"/> PHOTO CELL + VOLTAGE (EXAMPLE: PC120V) PC+V <input type="checkbox"/> SINGLE FUSE (120V, 277V) SF <input type="checkbox"/> DOUBLE FUSE (208V, 480V) DF
	<input type="checkbox"/> 150T ² <input type="checkbox"/> 150 <input type="checkbox"/> 100 <input type="checkbox"/> 70T ² <input type="checkbox"/> 70	<input type="checkbox"/> PSMH <input type="checkbox"/> HPS	<input type="checkbox"/> 120 <input type="checkbox"/> 208 <input type="checkbox"/> 240 <input type="checkbox"/> 277 <input type="checkbox"/> 347 (CAN) <input type="checkbox"/> 480	<input type="checkbox"/> CLEAR POLYCARBONATE REFRACTOR CP OPTIONS <input type="checkbox"/> CLEAR ACRYLIC REFRACTOR CA	<input type="checkbox"/> XPK <input type="checkbox"/> XPS <input type="checkbox"/> XPD <small>FOR ADDITIONAL DECORATIVE ARM SELECTIONS, PLEASE REFER TO USALTG.COM</small>	<input type="checkbox"/> BLACK RAL-9005-T <input type="checkbox"/> WHITE RAL-9003-T <input type="checkbox"/> GREY RAL-7004-T <input type="checkbox"/> DARK BRONZE RAL-8019-T <input type="checkbox"/> GREEN RAL-6005-T	
	<input type="checkbox"/> E ¹ (ELECTRONIC) <small>1 - 120 THRU 277 ONLY 2 - G12 BASE</small>			DISTRIBUTION <input type="checkbox"/> TYPE II R- II <input type="checkbox"/> TYPE III R- III <input type="checkbox"/> TYPE IV R- IV <input type="checkbox"/> TYPE V R- V-RND	<input type="checkbox"/> 1 <input type="checkbox"/> 2-180 <input type="checkbox"/> 3-120 <input type="checkbox"/> 4-90 WALLMOUNT <input type="checkbox"/> WM	FOR SMOOTH FINISH REPLACE SUFFIX "T" WITH SUFFIX "S" (EXAMPLE: RAL-9500-S) <small>SEE USALTG.COM FOR ADDITIONAL COLORS</small>	
	CONSULT FACTORY FOR OTHER BALLAST CONFIGURATIONS AND LAMP OPTIONS						