

SOLID STATE AREA LIGHTING

DSH SERIES-LED

SPECIFICATIONS

LUMINAIRE

Upper housing is 0.125" thick formed aluminum. Lower housing is 0.080" thick formed aluminum. Threaded receiver accepts glass diffuser. Glass diffuser is heavy wall tempered prismatic glass available in clear prismatic or prismatic opal. Pendant Mount uses Trulevel ball coupling mount. Wall mount has integrated side mount extruded aluminum arm and cast aluminum wall plate. All hardware is stainless steel.

LED POWER ARRAY™

Three-dimensional array of individual LED Tubes fastened to a retaining plate. Each LED Tube consists of circuit board populated with a multiple of LED's and is mechanically fastened to a radial aluminum heat sink. An acrylic lens and end cap protects each LED Tube's internal components.

VERTICAL POWER ARRAY™: LED Tubes are aligned vertically and equally arranged radially to produce an even raw light distribution that simulates standard light sources. Produces a minimal glare, symmetric diffuse light distribution.

LED EMITTERS

High Output LED's are driven at 350mA for nominal 1 Watt output each. LED's are available in standard Neutral White (4000K), or optional Cool White (5000K) or Warm White (3000K). Consult Factory for other LED options.

LED DRIVER

UL and CUL recognized High Power Factor, Constant Current LED drivers operate on input voltages from 120-277VAC, 50/60hz. Consult Factory for 347-480VAC. Driver is mechanically fastened to a retaining bracket. Main power quick disconnect provided. Driver has a minimum 4KV of internal surge protection, 10KV & 20KV Surge Protector optional. Dimming and High-Low Driver options available.

FINISH

Polyester powder coat incorporates four step iron phosphate process to pretreat metal surface for maximum adhesion. Top coat is baked at 400°F for maximum hardness and exterior durability.

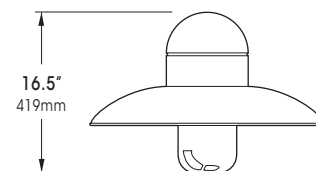
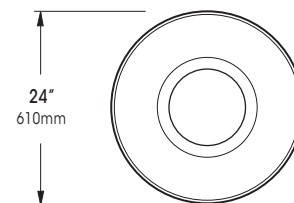
PROJECT NAME: _____

FIXTURE TYPE: _____



DSH

PATENT PENDING

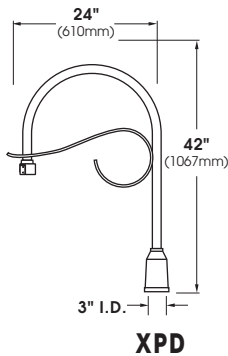


2013331

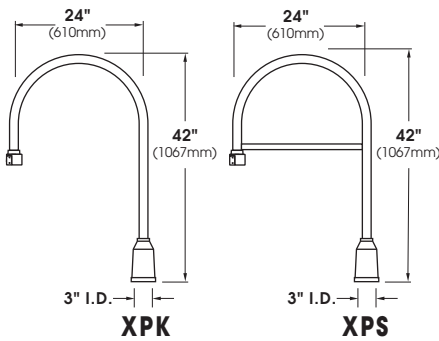
DSH SERIES - LED

S P E C I F I C A T I O N S

MOUNTING STYLES



XPD

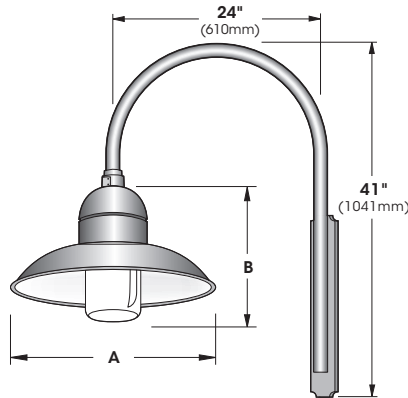


XPK

XPS

ARMS ARE HEAVY WALL EXTRUDED ALUMINUM CONSTRUCTION. FOR ADDITIONAL ARM OPTIONS SEE ARM SECTION.

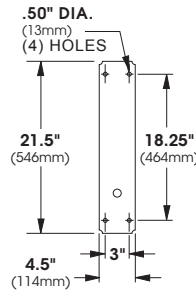
WALL MOUNT



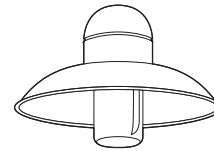
FIXTURE	A	B
DSH1	24" 610mm	16.5" 419mm

EXTRUDED AND CAST ALUMINUM CONSTRUCTION.

WALL PLATE

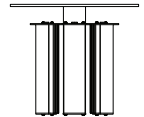


LED POWER TOWER™ MODULES



DSH1 E.P.A. = 0.77

Available in:
48 LED Module Max



VPA - Vertical Array
Top Mount

O R D E R I N G I N F O R M A T I O N

LUMINAIRE-FITTER	OPTICS	# of LED's	COLOR	VOLTAGE	MOUNTING	FINISH	OPTIONS
LUMINAIRE	OPTICS	LED			MOUNTING	FINISH	OPTIONS
LUMINAIRE-FITTER <input type="checkbox"/> DSH1-LED	VERTICAL POWER ARRAY (CLEAR LINEAR PRISMATIC GLASS OR OPAL GLASS DIFFUSER) <input type="checkbox"/> VPA - SYM ...	# of LEDs <input type="checkbox"/> 48LED (53 Watts) <input type="checkbox"/> 36LED (41 Watts) <input type="checkbox"/> 24LED (28 Watts)	COLOR <input type="checkbox"/> NW (4000K)* *STANDARD <input type="checkbox"/> CW (5000K) <input type="checkbox"/> WW (3000K) OTHER LED COLORS AVAILABLE CONSULT FACTORY	VOLTAGE <input type="checkbox"/> 120 <input type="checkbox"/> 208 <input type="checkbox"/> 240 <input type="checkbox"/> 277 <input type="checkbox"/> 347 <input type="checkbox"/> 480	<input type="checkbox"/> XPK <input type="checkbox"/> XPS <input type="checkbox"/> XPD <input type="checkbox"/> 1 ● WALLMOUNT <input type="checkbox"/> WM ●	STANDARD TEXTURED FINISH <input type="checkbox"/> BLACK RAL-9005-T <input type="checkbox"/> WHITE RAL-9003-T <input type="checkbox"/> GREY RAL-7004-T <input type="checkbox"/> DARK BRONZE RAL-8019-T <input type="checkbox"/> GREEN RAL-6005-T FOR SMOOTH FINISH REMOVE SUFFIX "T" (EXAMPLE: RAL-9500) SEE USALTG.COM FOR ADDITIONAL COLORS	<input type="checkbox"/> CLEAR PRISMATIC GLASS - TEMPERED CPG (STANDARD) <input type="checkbox"/> OPAL GLASS DIFFUSER (ANEALED & HEAT RESISTANT). WPD <input type="checkbox"/> STEM MOUNT + LENGTH (IN) (48" MAX) SM+L <input type="checkbox"/> CHAIN MOUNT + LENGTH (IN) (48" MAX) CM+L <input type="checkbox"/> DIMMABLE DRIVER(S) (0-10V) DIM <input type="checkbox"/> HIGH-LOW DIMMING FOR HARDWIRED SWITCHING OR NON-INTEGRATED MOTION SENSOR HLSW <input type="checkbox"/> PHOTO CELL + VOLTAGE (EXAMPLE: PC120V) PC+V <input type="checkbox"/> 10KV SURGE PROTECTOR 10SP <input type="checkbox"/> 20KV SURGE PROTECTOR (277V & 480V Only) 20SP