

H.I.D. AREA LIGHTING

DSH SERIES-HID

S P E C I F I C A T I O N S

HOUSING

Ballast housing is spun from .080" aluminum. Internal ballast support bracket also functions as mounting reinforcement plate with a minimum thickness of .125". Optical housing is spun from .080" aluminum, hemmed at the edges and internally finished in high-gloss white paint for maximum reflectance.

MOUNTING

When pendant mounted, the fixture housing is connected to the mounting arm by the Trulevel swivel which is internally welded to the housing and allows for fixture leveling prior to locking the swivel. When side arm mounted, the housing is externally welded to the mounting arm and the weld is blended to produce a smooth, continuous joint.

OPTICS

A clear tempered glass linear prismatic diffuser seals against the housing with a closed cell EPDM gasket and imparts a round Type V distribution. Medium base (E26) or bi-pin base (G12) socket provided for the lamp. Lamp is vertically oriented.

ELECTRICAL COMPONENTS

All electrical components are UL and cUL recognized mounted on a single plate and factory wired with quick-disconnect. Electrical module attaches to housing with toolless hinge and latch. Electronic MH ballasts have power factor of >.95, -20°F starting, 120-277V 50Hz/60Hz and have lamp End-of-life protection. Magnetic MH ballasts are high power factor, -20°F starting, multi-tap 120-277V, 60Hz. All HPS ballasts are core and coil, high-reactance, high power factor, -40°F starting.

FINISH

Electrostatically applied TGIC Polyester Powder Coat on substrate prepared with 20 PSI power wash at 140° F. Four step iron phosphate pretreatment for protection and paint adhesion. 400°F bake for maximum hardness and durability. Texture finish is standard.

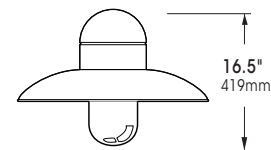
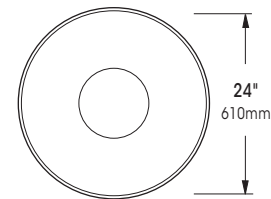
PROJECT NAME: _____


FIXTURE TYPE: _____



DSH 1

PATENT PENDING



 Light Pollution Control Classification System
Full cutoff 0% Uplight Luminaire

 U.L. Listed for wet location

MADE IN THE
USA

2014233

U.S. Architectural Lighting

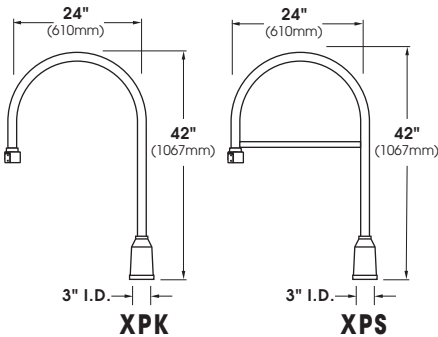
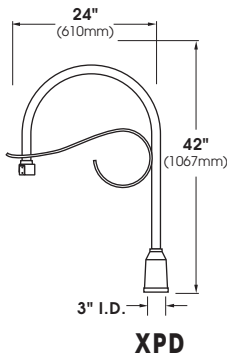
660 West Avenue O, Palmdale, CA 93551
Phone (661) 233-2000 Fax (661) 233-2001
www.usalighting.com

U.S. ARCHITECTURAL
LIGHTING

DSH SERIES - HID

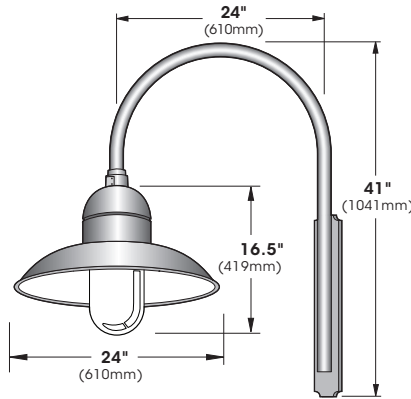
S P E C I F I C A T I O N S

MOUNTING STYLES

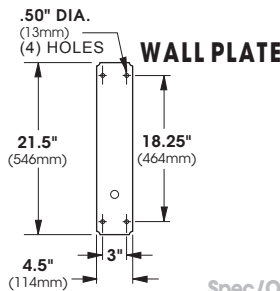


ARMS ARE HEAVY WALL EXTRUDED ALUMINUM CONSTRUCTION. FOR ADDITIONAL ARM OPTIONS SEE ARM SECTION.

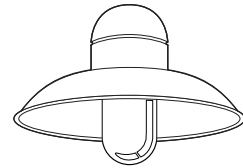
WALL MOUNT



EXTRUDED ALUMINUM ARM AND CAST ALUMINUM WALL BRACKET ASSEMBLY PROVIDED WITH BUILT IN GASKETED WIRE ACCESS FOR FIXTURE/SUPPLY WIRE CONNECTION.



E.P.A. & LAMP WATTAGE



DSH1 E.P.A. = 0.77
LAMP SIZE: 70 - 150WATT

Spec/Order Example: DSH1/150TPSMH347/CP/1/RAL-8019-T/SM38

S P E C / O R D E R I N G I N F O R M A T I O N

MODEL	WATTAGE	TYPE	VOLTAGE	OPTICS	MOUNTING	FINISH	OPTIONS
MODEL	LAMP			OPTICS	MOUNTING	FINISH	OPTIONS
<input type="checkbox"/> DSH1	WATTAGE <input type="checkbox"/> 175 <input type="checkbox"/> 150T ² <input type="checkbox"/> 150 <input type="checkbox"/> 100 <input type="checkbox"/> 70T ² <input type="checkbox"/> 70 <input type="checkbox"/> E ¹ (ELECTRONIC) <small>1 - 120 THRU 277 ONLY 2 - G12 BASE</small> <small>CONSULT FACTORY FOR OTHER BALLAST CONFIGURATIONS AND LAMP OPTIONS</small>	TYPE <input type="checkbox"/> PSMH <input type="checkbox"/> HPS <input type="checkbox"/> E ¹ (ELECTRONIC)	VOLTAGE <input type="checkbox"/> 120 <input type="checkbox"/> 208 <input type="checkbox"/> 240 <input type="checkbox"/> 277 <input type="checkbox"/> 347 (CAN) <input type="checkbox"/> 480	STANDARD <input type="checkbox"/> CLEAR LINEAR PRISMATIC TEMPERED GLASS... CPG OPTIONS <input type="checkbox"/> OPAL GLASS DIFFUSER (ANNEALED AND HEAT RESISTANT) ... WDG	ARM MOUNT <input type="checkbox"/> XPK <input type="checkbox"/> XPS <input type="checkbox"/> XPD <small>FOR ADDITIONAL DECORATIVE ARM SELECTIONS, PLEASE REFER TO USALTG.COM</small> ARM MOUNT <input type="checkbox"/> 1 ● <input type="checkbox"/> 2-180 ●● <input type="checkbox"/> 3-120 ●●● <input type="checkbox"/> 4-90 ●●●● WALLMOUNT <input type="checkbox"/> WM ●	STANDARD TEXTURED FINISH <input type="checkbox"/> BLACK RAL-9005-T <input type="checkbox"/> WHITE RAL-9003-T <input type="checkbox"/> GREY RAL-7004-T <input type="checkbox"/> DARK BRONZE RAL-8019-T <input type="checkbox"/> GREEN RAL-6005-T <small>FOR SMOOTH FINISH REPLACE SUFFIX "T" WITH SUFFIX "S" (EXAMPLE: RAL-9500-S)</small> <small>SEE USALTG.COM FOR ADDITIONAL COLORS</small>	<input type="checkbox"/> 3/8" IPS STEM MOUNT AND SWIVEL CANOPY (4'-0" MAX.) SM38 <input type="checkbox"/> CHAIN MOUNTED (4'-0" MAX.) CM <input type="checkbox"/> HOUSE SIDE SHIELD 90° HS 90° 135° HS 135° 180° HS 180° <input type="checkbox"/> PHOTO CELL + VOLTAGE (EXAMPLE: PC120V) PC+V <input type="checkbox"/> SINGLE FUSE (120V, 277V) SF <input type="checkbox"/> DOUBLE FUSE (208V, 240V, 480V) DF