

SOLID STATE AREA LIGHTING

DSTPL SERIES - PLED

FEATURES

Luminaire

Upper housing is heavy gauge cast aluminum (min. .125" wall; alloy >0.2% Cu for DSTPL25) or spun aluminum with reveal (.125" min. wall for DSTPL20). Lower housing is 0.080" thick spun aluminum with integrated LED module seat. Lower housing is vented at top and bottom for convective cooling of LED module. Top Driver chamber is barriered from LED Module chamber. Truelevel ball coupling mount is welded to housing and facilitates quick leveling and installation. Upper Housing with lit windows. LED Optic provides soft glow from diffuse windows. Circuited separately from main optical module.

PLED™ Optics

Emitters (LED's) are arrayed on a metal core PCB panel with each emitter located on a copper thermal transfer pad and enclosed by an LED refractor. LED optics completely seal each individual emitter to meet an IP66 rating. In asymmetric distributions, a micro-reflector inside the refractor re-directs the house side emitter output towards the street side and functions as a house side shielding element. Refractors are injection molded H12 acrylic. Each LED refractor is sealed to the PCB over an emitter and all refractors are retained by an aluminum frame. Any one Panel, or group of Panels in a luminaire, have the same optical pattern. LED refractors produce standard site/area distributions. Panels are field replaceable and field rotatable in 90° increments.

LED Emitters

High output LED's are utilized with drive currents ranging from 350mA to 875mA. 70CRI Minimum. LED's are available in standard Neutral White (4000K), or optional Cool White (5000K) or Warm White (3000K). Consult Factory for other LED options.

LED Driver

Constant current electronic with a power factor of >.90 and a minimum operating temperature of -40°F/-40°C. Driver(s) is/are UL and cUL recognized. In-line terminal blocks facilitate wiring between the driver and optical arrays. Drivers accept an input of 120-277V, 50/60Hz or 347V-480V, 50,60Hz. (0 - 10V dimmable driver is standard. Driver has a minimum of 3KV internal surge protection. Luminaire supplied with 20KV surge protector for field installation.)

Amber LED's

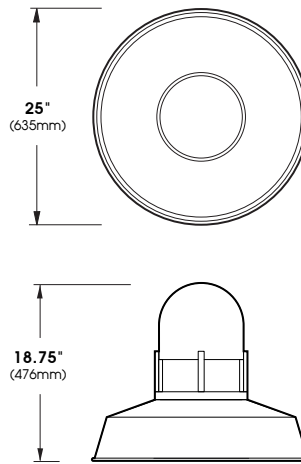
PCA (Phosphor Converted Amber) LED's utilize phosphors to create color output similar to LPS lamps and have a slight output in the blue spectral bandwidth. TRA (True Amber) LED's utilize material that emits light in the amber spectral bandwidth only without the use of phosphors.

Finish

Polyester powder coat incorporates four step iron phosphate process to pretreat metal surface for maximum adhesion. Top coat is baked at 400°F for maximum hardness and exterior durability.

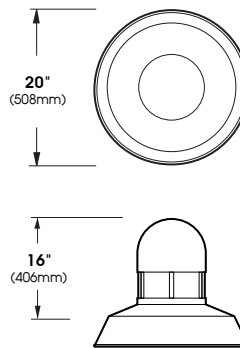
PROJECT NAME: _____

FIXTURE TYPE: _____



DSTPL25

Patent pending

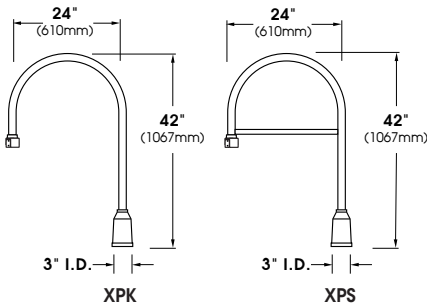
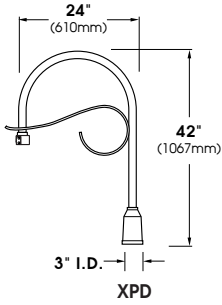


DSTPL20

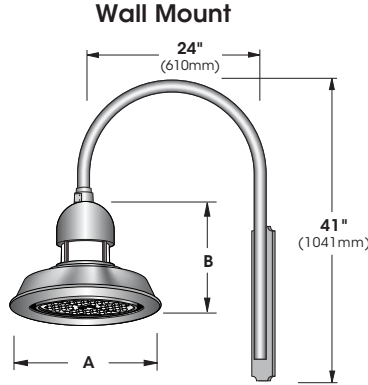
Patent pending

DSTPL SERIES - PLED

SPECIFICATIONS



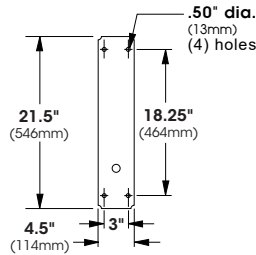
Arms are heavy wall extruded aluminum construction. For additional arm options see arm section.



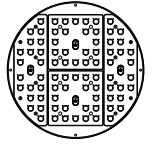
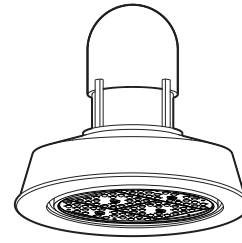
| Fixture | A | B |
|---------|-------------|----------------|
| DSTPL25 | 25" (635mm) | 18.75" (476mm) |
| DSTPL20 | 20" (508mm) | 16" (406mm) |

Extruded and cast aluminum construction.

Wall Plate

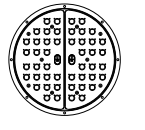


PLED™ Modules



80 LED Module

DSTPL25 E.P.A.= 1.23
Available in:
80 LED Module Max



48 LED Module

DSTPL20 E.P.A.= 0.83
Available in:
48 LED Module Max

ORDERING INFORMATION

Spec/Order Example: DSTPL20/PLED-II/48LED-350mA/NW/347/1/RAL-7005-S

| Luminaire | Optics | LED Mode | | | Voltage | Mounting | Finish | Options |
|---|---|--|--|---|--|--|---|--|
| Luminaire | Optics | LED | | | Voltage | Mounting | Finish | Options |
| <input type="checkbox"/> DSTPL25-PLED <input type="checkbox"/> DSTPL20-PLED | PLED™ Distribution Type <input type="checkbox"/> Type II PLED-II <input type="checkbox"/> Type II Front Row PLED-II-FR <input type="checkbox"/> Type III Med. PLED-III-M <input type="checkbox"/> Type III Wide PLED-III-W <input type="checkbox"/> Type IV PLED-IV <input type="checkbox"/> Type IV PLED-IV-FT <input type="checkbox"/> Type V Narrow PLED-V-SQ-N <input type="checkbox"/> Type V Med. PLED-V-SQ-M <input type="checkbox"/> Type V Wide PLED-V-SQ-W | # of LEDs DSTPL25 <input type="checkbox"/> 80LED ¹ <input type="checkbox"/> 48LED <input type="checkbox"/> 36LED DSTPL20 <input type="checkbox"/> 48LED ¹ <input type="checkbox"/> 36LED <input type="checkbox"/> 20LED | Drive Current <input type="checkbox"/> 1050mA ² <input type="checkbox"/> 875mA ² <input type="checkbox"/> 700mA ² <input type="checkbox"/> 525mA <input type="checkbox"/> 350mA | Color Temp - CCT <input type="checkbox"/> NW (4000K)* *Standard <input type="checkbox"/> CW (5000K) <input type="checkbox"/> WW (3000K) Other LED Colors Available Consult Factory <input type="checkbox"/> Amber ³ <input type="checkbox"/> Phosphor Converted Amber PCA ⁴ <input type="checkbox"/> True Amber ⁵ TRA | <input type="checkbox"/> 120 <input type="checkbox"/> 208 <input type="checkbox"/> 240 <input type="checkbox"/> 277 <input type="checkbox"/> 347 <input type="checkbox"/> 480 | <input type="checkbox"/> XPK <input type="checkbox"/> XPS <input type="checkbox"/> XPD <input type="checkbox"/> I Wallmount <input type="checkbox"/> WM | Standard Textured Finish <input type="checkbox"/> Black RAL-9005-T <input type="checkbox"/> White RAL-9003-T <input type="checkbox"/> Grey RAL-7004-T <input type="checkbox"/> Dark Bronze RAL-8019-T <input type="checkbox"/> Green RAL-6005-T For smooth finish replace suffix "T" with suffix "S" (Example: RAL-9500-S) Consult factor for custom colors | <input type="checkbox"/> Stem Mount + Length(in) (48" Max) SM+L <input type="checkbox"/> Chain Mount + Length(in) (48" Max) CM+L <input type="checkbox"/> Internal House Side Shield inc. LED Count (Example: HS-PLED/48) HS-PLED <input type="checkbox"/> Twist Lock Receptable Only TPR <input type="checkbox"/> 7-Pin Twist Lock Receptable Only TPR7 <input type="checkbox"/> High-Low Dimming for Switch by Others/Select Levels 50/100 or 25/100 (Example: HLSW/25) HLSW <input type="checkbox"/> Photo Cell + Voltage (Example: PC120V) PC+V <input type="checkbox"/> Single Fuse (120V, 277V) SF <input type="checkbox"/> Double Fuse (208V, 240V) DF <input type="checkbox"/> Programmable Photo/Motion Sensor (Factory - Motion 50/100; Photo 75c) MS-F211 <input type="checkbox"/> Remote Motion Sensor Configurator MS-FC10 |
| NOTES: 1 - 875mA maximum 2 - 700mA and 875mA not for use with TRA LEDs 3 - Narrow band Ambers have no Definable CCT equivalent 4 - 700mA maximum 5 - Available in 350mA & 525mA drive currents only | | | | | | | | |



DSTPL SERIES - PLED

LED/ Electrical Guide (pg. 1)

| LED Count | Source Type | Source | Initial Lumens - 4000K CCT | Initial Lumens - 3000K CCT | Initial Lumens - 5000K CCT | L70 greater than (HR) | Starting Temp. | System Watts | Volts | Max Input Amps |
|----------------|-------------|----------------------------------|----------------------------|----------------------------|----------------------------|-----------------------|----------------|--------------|-------------------|---------------------------------|
| DSTPL20 | | | | | | | | | | |
| 20 | LED | 20 PLED® Optical Module - 350mA | 2842 - 3262 | 2700 - 3098 | 2984 - 3424 | 90,000+ | -40°F | 22/28 | 120 277 347 | .19/.24 .08/.11 .07/.08 |
| 20 | LED | 20 PLED® Optical Module - 525mA | 4042 - 4637 | 3839 - 4405 | 4243 - 4868 | 90,000+ | -40°F | 33/39 | 120 277 347 | .28/.33 .12/.14 .10/.12 |
| 20 | LED | 20 PLED® Optical Module - 700mA | 5083 - 5832 | 4829 - 5540 | 5337 - 6123 | 90,000+ | -40°F | 44/50 | 120 277 347 | .37/.42 .16/.18 .13/.15 |
| 20 | LED | 20 PLED® Optical Module - 875mA | 6108 - 7008 | 5802 - 6657 | 6413 - 7358 | 90,000+ | -40°F | 56/62 | 120 277 347 | .47/.52 .21/.23 .17/.18 |
| 20 | LED | 20 PLED® Optical Module - 1050mA | 7086 - 8131 | 6732 - 7725 | 7441 - 8537 | 90,000+ | -40°F | 67/73 | 120 277 347 | .56/.61 .25/.27 .20/.21 |
| 36 | LED | 36 PLED® Optical Module - 350mA | 5116 - 5871 | 4860 - 5577 | 5371 - 6164 | 90,000+ | -40°F | 40/46 | 120 277 347 | .34/.39 .15/.17 .12/.14 |
| 36 | LED | 36 PLED® Optical Module - 525mA | 7274 - 8346 | 6910 - 7929 | 7638 - 8763 | 90,000+ | -40°F | 60/66 | 120 277 347 | .50/.55 .22/.24 .18/.20 |
| 36 | LED | 36 PLED® Optical Module - 700mA | 9149 - 10497 | 8691 - 9972 | 9606 - 11022 | 90,000+ | -40°F | 79/85 | 120 277 347 | .66/.71 .29/.31 .23/.25 |
| 36 | LED | 36 PLED® Optical Module - 875mA | 10994 - 12614 | 10444 - 11983 | 11544 - 13245 | 90,000+ | -40°F | 101/107 | 120 277 347 | .85/.90 .37/.39 .30/.31 |
| 36 | LED | 36 PLED® Optical Module - 1050mA | 12755 - 14635 | 12117 - 13903 | 13392 - 15367 | 90,000+ | -40°F | 120/126 | 120 277 347 | 1.00/1.05 .44/.46 .35/.37 |
| 48 | LED | 48 PLED® Optical Module - 350mA | 6821 - 7827 | 6480 - 7435 | 7162 - 8218 | 90,000+ | -40°F | 53/59 | 120 277 347 | .45/.50 .20/.22 .16/.17 |
| 48 | LED | 48 PLED® Optical Module - 525mA | 9699 - 11128 | 9214 - 10572 | 10183 - 11684 | 90,000+ | -40°F | 79/85 | 120 277 347 | .66/.71 .29/.31 .23/.25 |
| 48 | LED | 48 PLED® Optical Module - 700mA | 12199 - 13398 | 11589 - 13296 | 12808 - 14696 | 90,000+ | -40°F | 106/112 | 120 277 347 | .89/.94 .39/.41 .31/.33 |
| 48 | LED | 48 PLED® Optical Module - 875mA | 14659 - 16819 | 13926 - 15978 | 15392 - 17660 | 90,000+ | -40°F | 134/140 | 120 277 347 | 1.12/1.17 .49/.51 .39/.41 |
| DSTPL25 | | | | | | | | | | |
| 36 | LED | 36 PLED® Optical Module - 350mA | 5126 - 5882 | 4870 - 5588 | 5383 - 6176 | 90,000+ | -40°F | 40/46 | 120 277 347 | .34/.39 .15/.17 .12/.14 |
| 36 | LED | 36 PLED® Optical Module - 525mA | 7382 - 8470 | 7013 - 8047 | 7751 - 8894 | 90,000+ | -40°F | 59/65 | 120 277 347 | .50/.55 .23/.24 .17/.19 |
| 36 | LED | 36 PLED® Optical Module - 700mA | 9362 - 10742 | 8894 - 10205 | 9830 - 11279 | 90,000+ | -40°F | 79/85 | 120 277 347 | .66/.71 .29/.31 .23/.25 |
| 36 | LED | 36 PLED® Optical Module - 875mA | 10719 - 12298 | 10183 - 11682 | 11254 - 12913 | 90,000+ | -40°F | 103/109 | 120 277 347 | .86/.91 .38/.40 .30/.32 |
| 36 | LED | 36 PLED® Optical Module - 1050mA | 12435 - 14268 | 11813 - 13554 | 13057 - 14981 | 90,000+ | -40°F | 116/122 | 120 277 347 | .97/1.02 .42/.44 .34/.36 |
| 48 | LED | 48 PLED® Optical Module - 350mA | 6835 - 7843 | 6493 - 7450 | 7177 - 8235 | 90,000+ | -40°F | 53/59 | 120 277 347 | .45/.50 .20/.23 .16/.17 |



DSTPL SERIES - PLED

| LED Count | Source Type | Source | Initial Lumens - 4000K CCT | Initial Lumens - 3000K CCT | Initial Lumens - 5000K CCT | L70 greater than (HR) | Starting Temp. | System Watts | Volts | Max Input Amps |
|----------------|-------------|----------------------------------|----------------------------|----------------------------|----------------------------|-----------------------|----------------|--------------|-------------------|---------------------------------|
| DSTPL25 | | | | | | | | | | |
| 48 | LED | 48 PLED® Optical Module - 525mA | 9843 - 11294 | 9351 - 10729 | 10336 - 11859 | 90,000+ | -40°F | 78/84 | 120 277 347 | .65/.70 .29/.31 .23/.25 |
| 48 | LED | 48 PLED® Optical Module - 700mA | 12483 - 14323 | 11859 - 13607 | 13107 - 15038 | 90,000+ | -40°F | 105/111 | 120 277 347 | .88/.93 .38/.40 .31/.32 |
| 48 | LED | 48 PLED® Optical Module - 875mA | 14292 - 16397 | 13577 - 15577 | 15006 - 17217 | 90,000+ | -40°F | 137/143 | 120 277 347 | 1.15/1.20 .50/.52 .40/.42 |
| 48 | LED | 48 PLED® Optical Module - 1050mA | 16581 - 19024 | 15752 - 18073 | 17409 - 19975 | 90,000+ | -40°F | 154/160 | 120 277 347 | 1.29/1.34 .56/.58 .45/.47 |
| 80 | LED | 80 PLED® Optical Module - 350mA | 11392 - 13071 | 10823 - 12418 | 11962 - 13724 | 90,000+ | -40°F | 88/94 | 120 277 347 | .74/.79 .32/.34 .26/.27 |
| 80 | LED | 80 PLED® Optical Module - 525mA | 16406 - 18823 | 15585 - 17882 | 17226 - 19765 | 90,000+ | -40°F | 130/136 | 120 277 347 | 1.09/1.14 .47/.50 .38/.40 |
| 80 | LED | 80 PLED® Optical Module - 700mA | 20805 - 23871 | 19765 - 22678 | 21845 - 25065 | 90,000+ | -40°F | 174/180 | 120 277 347 | 1.45/1.50 .63/.65 .50/.52 |
| 80 | LED | 80 PLED® Optical Module - 875mA | 23819 - 27329 | 22628 - 25962 | 25010 - 28695 | 90,000+ | -40°F | 226/232 | 120 277 347 | 1.89/1.94 .82/.84 .66/.69 |

Phosphor Converted Amber LED

| | | | | | | | | | | |
|----------------|-----------|---------------------------------|-------------|--|--|---------|-------|-----|-------------------|-------------------|
| DSTPL20 | | | | | | | | | | |
| 20 | PCA - LED | 20 PLED® Optical Module - 350mA | 1478 - 1696 | | | 51,000+ | -40°F | 25 | 120 277 347 | .21 .10 .08 |
| 20 | PCA - LED | 20 PLED® Optical Module - 525mA | 2102 - 2411 | | | 51,000+ | -40°F | 37 | 120 277 347 | .31 .14 .11 |
| 20 | PCA - LED | 20 PLED® Optical Module - 700mA | 2643 - 3033 | | | 51,000+ | -40°F | 50 | 120 277 347 | .42 .18 .15 |
| 36 | PCA - LED | 36 PLED® Optical Module - 350mA | 2660 - 3053 | | | 51,000+ | -40°F | 45 | 120 277 347 | .38 .17 .13 |
| 36 | PCA - LED | 36 PLED® Optical Module - 525mA | 3783 - 4340 | | | 51,000+ | -40°F | 67 | 120 277 347 | .56 .25 .20 |
| 36 | PCA - LED | 36 PLED® Optical Module - 700mA | 4757 - 5459 | | | 51,000+ | -40°F | 89 | 120 277 347 | .75 .33 .26 |
| 48 | PCA - LED | 48 PLED® Optical Module - 350mA | 3547 - 4070 | | | 51,000+ | -40°F | 59 | 120 277 347 | .50 .22 .17 |
| 48 | PCA - LED | 48 PLED® Optical Module - 525mA | 5043 - 5787 | | | 51,000+ | -40°F | 89 | 120 277 347 | .75 .33 .26 |
| 48 | PCA - LED | 48 PLED® Optical Module - 700mA | 6343 - 7278 | | | 51,000+ | -40°F | 118 | 120 277 347 | .99 .43 .34 |

| | | | | | | | | | | |
|----------------|-----------|---------------------------------|-------------|--|--|---------|-------|----|-------------------|-------------------|
| DSTPL25 | | | | | | | | | | |
| 36 | PCA - LED | 36 PLED® Optical Module - 350mA | 2666 - 3059 | | | 51,000+ | -40°F | 45 | 120 277 347 | .38 .17 .13 |
| 36 | PCA - LED | 36 PLED® Optical Module - 525mA | 3839 - 4405 | | | 51,000+ | -40°F | 66 | 120 277 347 | .56 .24 .19 |



DSTPL SERIES - PLED

| LED Count | Source Type | Source | Initial Lumens - 4000K CCT | Initial Lumens - 3000K CCT | Initial Lumens - 5000K CCT | L70 greater than (HR) | Starting Temp. | System Watts | Volts | Max Input Amps |
|-----------|-------------|--------|----------------------------|----------------------------|----------------------------|-----------------------|----------------|--------------|-------|----------------|
|-----------|-------------|--------|----------------------------|----------------------------|----------------------------|-----------------------|----------------|--------------|-------|----------------|

Phosphor Converted Amber LED

DSTPL25

| | | | | | | | | | | |
|----|-----------|---------------------------------|---------------|--|--|---------|-------|-----|-----|------|
| 36 | PCA - LED | 36 PLED® Optical Module - 700mA | 4868 - 5586 | | | 51,000+ | -40°F | 88 | 120 | .74 |
| | | | | | | | | | 277 | .32 |
| | | | | | | | | | 347 | .26 |
| 48 | PCA - LED | 48 PLED® Optical Module - 350mA | 3554 - 4078 | | | 51,000+ | -40°F | 59 | 120 | .50 |
| | | | | | | | | | 277 | .22 |
| | | | | | | | | | 347 | .17 |
| 48 | PCA - LED | 48 PLED® Optical Module - 525mA | 5119 - 5873 | | | 51,000+ | -40°F | 87 | 120 | .73 |
| | | | | | | | | | 277 | .32 |
| | | | | | | | | | 347 | .25 |
| 48 | PCA - LED | 48 PLED® Optical Module - 700mA | 6491 - 7448 | | | 51,000+ | -40°F | 117 | 120 | .98 |
| | | | | | | | | | 277 | .43 |
| | | | | | | | | | 347 | .34 |
| 80 | PCA - LED | 80 PLED® Optical Module - 350mA | 11392 - 13071 | | | 51,000+ | -40°F | 98 | 120 | .82 |
| | | | | | | | | | 277 | .36 |
| | | | | | | | | | 347 | .29 |
| 80 | PCA - LED | 80 PLED® Optical Module - 525mA | 16406 - 18823 | | | 51,000+ | -40°F | 145 | 120 | 1.21 |
| | | | | | | | | | 277 | .52 |
| | | | | | | | | | 347 | .42 |
| 80 | PCA - LED | 80 PLED® Optical Module - 700mA | 20805 - 23871 | | | 51,000+ | -40°F | 195 | 120 | 1.63 |
| | | | | | | | | | 277 | .71 |
| | | | | | | | | | 347 | .57 |

True Amber LED - 590nm

DSTPL20

| | | | | | | | | | | |
|----|-----------|---------------------------------|-------------|--|--|---------|-------|----|-----|-----|
| 20 | TRA - LED | 20 PLED® Optical Module - 350mA | 854 - 979 | | | 66,500+ | -40°F | 18 | 120 | .15 |
| | | | | | | | | | 277 | .07 |
| | | | | | | | | | 347 | .06 |
| 20 | TRA - LED | 20 PLED® Optical Module - 700mA | 1022 - 1172 | | | 66,500+ | -40°F | 26 | 120 | .22 |
| | | | | | | | | | 277 | .10 |
| | | | | | | | | | 347 | .08 |
| 36 | TRA - LED | 36 PLED® Optical Module - 350mA | 1536 - 1762 | | | 66,500+ | -40°F | 31 | 120 | .26 |
| | | | | | | | | | 277 | .12 |
| | | | | | | | | | 347 | .09 |
| 36 | TRA - LED | 36 PLED® Optical Module - 525mA | 1838 - 2109 | | | 66,500+ | -40°F | 47 | 120 | .40 |
| | | | | | | | | | 277 | .17 |
| | | | | | | | | | 347 | .14 |
| 48 | TRA - LED | 48 PLED® Optical Module - 350mA | 2048 - 2350 | | | 66,500+ | -40°F | 41 | 120 | .35 |
| | | | | | | | | | 277 | .15 |
| | | | | | | | | | 347 | .12 |
| 48 | TRA - LED | 48 PLED® Optical Module - 525mA | 2451 - 2812 | | | 66,500+ | -40°F | 62 | 120 | .52 |
| | | | | | | | | | 277 | .23 |
| | | | | | | | | | 347 | .18 |

DSTPL25

| | | | | | | | | | | |
|----|-----------|---------------------------------|-------------|--|--|---------|-------|----|-----|-----|
| 36 | TRA - LED | 36 PLED® Optical Module - 350mA | 1539 - 1766 | | | 66,500+ | -40°F | 31 | 120 | .26 |
| | | | | | | | | | 277 | .12 |
| | | | | | | | | | 347 | .09 |
| 36 | TRA - LED | 36 PLED® Optical Module - 525mA | 1866 - 2140 | | | 66,500+ | -40°F | 46 | 120 | .39 |
| | | | | | | | | | 277 | .18 |
| | | | | | | | | | 347 | .14 |
| 48 | TRA - LED | 48 PLED® Optical Module - 350mA | 2053 - 2355 | | | 66,500+ | -40°F | 41 | 120 | .35 |
| | | | | | | | | | 277 | .19 |
| | | | | | | | | | 347 | .12 |
| 48 | TRA - LED | 48 PLED® Optical Module - 525mA | 2488 - 2854 | | | 66,500+ | -40°F | 61 | 120 | .51 |
| | | | | | | | | | 277 | .22 |
| | | | | | | | | | 347 | .18 |
| 80 | TRA - LED | 80 PLED® Optical Module - 350mA | 3421 - 3925 | | | 66,500+ | -40°F | 67 | 120 | .56 |
| | | | | | | | | | 277 | .25 |
| | | | | | | | | | 347 | .20 |



DSTPL SERIES - PLED

| LED Count | Source Type | Source | Initial Lumens - 4000K CCT | Initial Lumens - 3000K CCT | Initial Lumens - 5000K CCT | L70 greater than (HR) | Starting Temp. | System Watts | Volts | Max Input Amps |
|------------------------|-------------|--------|----------------------------|----------------------------|----------------------------|-----------------------|----------------|--------------|-------|----------------|
| True Amber LED - 590nm | | | | | | | | | | |

DSTPL25

| | | | | | | | | | |
|----|-----------|---------------------------------|----------------|--|---------|-------|-----|-----|-----|
| 80 | TRA - LED | 80 PLED® Optical Module - 525mA | 4146 - 4757 | | 66,500+ | -40°F | 101 | 120 | .85 |
| | | | | | | | | 277 | .37 |
| | | | | | | | | 347 | .30 |

- 1) Max Input Amps is the highest of starting, operating, or open circuit currents
- 2) System Watts includes the source watts and all driver components.
- 3) Lumen values for LED Modules vary according to the distribution type
- 4) For Wattage and Max Input Amps showing two values, use the higher value for luminaires with lit uplight windows (-L & -M)
- 5) PCA and TRA LED optics not recommended for use with lit uplight window models (-L & -M)
- 6) Fuse value should be sufficient to protect all wiring components. For electronic driver and LED component protection, use 20KV surge suppressors.
- 7) L70(10K) – TM-21 6x rule applied

WARNING: All fixtures must be installed in accordance with local codes or the National Electrical Code. Failure to do so may result in serious personal injury.

