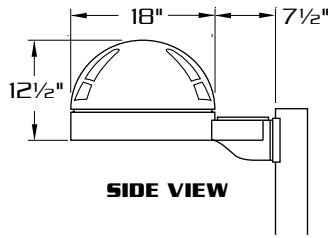
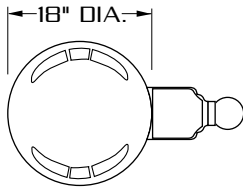


[175 WATT MAX.]



SIDE VIEW



TOP VIEW



E.P.A.= 1.03



WM



1



2-180



2-90



3-90



3-120



4-90

SPECIFICATIONS

HOUSING: ONE PIECE HEAVY WALL SPUN ALUMINUM HOUSING. MOLDED WHITE TRANSLUCENT ACRYLIC DOME WITH INTERNAL GLASS DIFFUSER PROVIDES SOFT UNIFORM UPLIGHT.

LENS ASS'Y: ONE PIECE HINGED HEAVY WALL DIE FORMED ALUMINUM DOOR FRAME SURROUNDS 3/16" CLEAR TEMPERED GLASS LENS. GLASS IS SEALED TO DOOR WITH HIGH TEMPERATURE SILICONE SEAL. CAPTIVE THUMB SCREW DISENGAGES LENS ASSEMBLY AND ACTIVATES ACCUHINGE™ HINGE TO ALLOW LENS ASSEMBLY TO HINGE AWAY FROM HOUSING FOR LUMINAIRE ACCESS WITHOUT THE USE OF TOOLS.

OPTICS: COMPUTER DESIGNED ONE PIECE SEMI SPECULAR HYDROFORMED REFLECTOR. COMBINES WITH CLEAR TEMPERED GLASS LENS TO PRODUCE A HIGHLY EFFICIENT, SHARP CUTOFF, IMPACT RESISTANT ACRYLIC DOME SURROUNDS INTERNAL OPAL GLASS DIFFUSER TO PROVIDE SOFT UNIFORM UPLIGHT.

GASKETING: CLOSED CELL EPDM GASKETING COMPRESSED BETWEEN DOOR AND HOUSING WORKS IN COMBINATION WITH ACCUHINGE™ HINGE TO PRESSURE SEAL OPTICAL CHAMBER.

LAMP HOLDER: MEDIUM BASE PORCELAIN.

LAMP: [BY OTHERS]

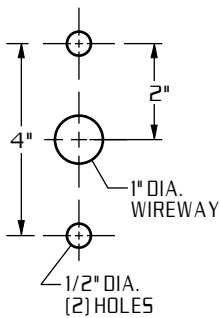
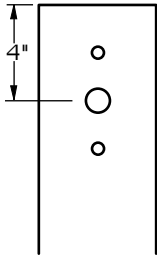
BALLAST: H.P.F./C.W.A. AUTOTRANSFORMER. -20° STARTING TEMPERATURE. ELECTRICAL COMPONENTS ARE MOUNTED TO REMOVABLE TRAY.

ARM: HEAVY WALL CORROSION RESISTANT CAST ALUMINUM CONSTRUCTION. CONTOURED CAST ALUMINUM ARM HOUSES ELECTRICAL COMPONENTS AND HAS REMOVABLE GASKETED CAST ALUMINUM TOP FOR ACCESS TO ELECTRICAL COMPONENTS.

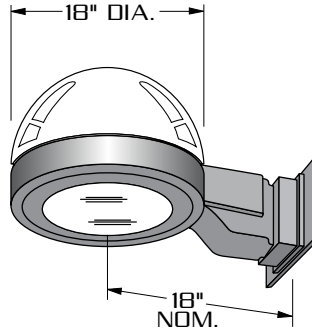
FINISH: POLYESTER POWDER COAT-STATE OF THE ART 20 PSI PRESSURE POWER WASH AT 140° TEMPERATURE INCORPORATES FOUR STEP IRON PHOSPHATE PROCESS TO CLEANSE AND PRETREAT THE METAL SURFACE FOR MAXIMUM PAINT ADHESION. ELECTROSTATICALLY APPLIED TEXTURED POLYESTER POWDER TOPCOAT IS BAKED AT 400° TEMPERATURE FOR MAXIMUM HARDNESS AND EXTERIOR DURABILITY.



POLE DRILLING TEMPLATE

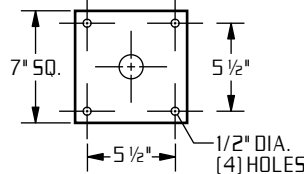


WALL MOUNT

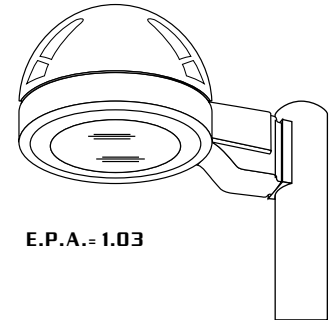


CORROSION RESISTANT CAST ALUMINUM CONSTRUCTION. ARMS SUPPLIED WITH REMOVABLE CAST ALUMINUM TOP CAP FOR EASY ACCESS TO ELECTRICAL COMPONENTS.

WALL PLATE



**LAMP SIZE:
70 - 175 WATT**



DECORATIVE CAST ALUMINUM ARM. HOUSES ELECTRICAL COMPONENTS.

OPTICAL SYSTEMS ENCLOSED IN IMPACT RESISTANT TEMPERED GLASS DIFFUSER.

SOFT UNIFORM UPLIGHT

ORDERING INFORMATION

MODEL NO. : GSBM	OPTICS	WATTAGE TYPE VOLTAGE	MOUNTING	FINISH	OPTIONS
MODEL NO. :	OPTICS	LAMP	MOUNTING	FINISH	OPTIONS
G S B M	<input type="checkbox"/> TYPE II II (segmented)	<input type="checkbox"/> 175 <input type="checkbox"/> HPS <input type="checkbox"/> 120	<input type="checkbox"/> 1..... ●	<input type="checkbox"/> STANDARD TEXTURED FINISH	<input type="checkbox"/> CLEAR POLYCARBONATE DIFFUSER LX
	<input type="checkbox"/> TYPE III III (segmented)	<input type="checkbox"/> 150 <input type="checkbox"/> MH <input type="checkbox"/> 208	<input type="checkbox"/> WM..... ●	<input type="checkbox"/> BLACK RAL-9005-T	<input type="checkbox"/> HOUSE SIDE SHIELD HS
	<input type="checkbox"/> TYPE IV (FORWARD THROW) IV (segmented)	<input type="checkbox"/> 100 <input type="checkbox"/> MV <input type="checkbox"/> 240		<input type="checkbox"/> WHITE RAL-9003-T	<input type="checkbox"/> PHOTO CELL + VOLTAGE (EXAMPLE: PC120V) PC+V
	<input type="checkbox"/> TYPE V V-SQ (segmented)	<input type="checkbox"/> 75 <input type="checkbox"/> 277		<input type="checkbox"/> GREY RAL-7004-T	<input type="checkbox"/> TWIST LOCK PHOTO CELL+VOLTAGE (EXAMPLE TPC120V) TPC+V
		<input type="checkbox"/> 70 <input type="checkbox"/> 480		<input type="checkbox"/> DRK BRONZE RAL-8019-T	<input type="checkbox"/> TWIST LOCK RECEPTACLE ONLY TPR
		<input type="checkbox"/> MT		<input type="checkbox"/> GREEN RAL-6005-T	<input type="checkbox"/> SINGLE FUSE (120V., 277V) SF
		MEDIUM BASE LAMP ONLY		FOR SMOOTH FINISH REMOVE SUFFIX "T" (EXAMPLE: RAL-9500)	<input type="checkbox"/> DOUBLE FUSE (208V., 240V) DF
			SEE ARM SECTION FOR ADDITIONAL ARMS	SEE WEBSITE FOR ADDITIONAL COLORS	<input type="checkbox"/> TAMPER PROOF TP