

SOLID STATE AREA LIGHTING

LAG SERIES-HID

S P E C I F I C A T I O N S

FITTER

Heavy cast, low copper aluminum (A356 alloy; <.2% copper) decorative fitter with 4 stainless steel socket head cap screws to secure fixture to tenon. The top collar of the fitter has 4 stainless steel socket head cap screws to secure acorn/globe to the fitter in a channel that has an elevated interior (to the acorn/globe) barrier to prevent moisture from entering the fitter and weep holes to allow drainage. Standard fitter has 3" I.D. opening for tenon.

ACORN/GLOBE

Clear patterned UV Stabilized shatter-resistant polycarbonate acorn lens standard. Includes decorative cast low copper aluminum (A356 alloy;<.2% copper) top cap.

OPTICS

(VL) Bare Lamp - Vertically oriented base down lamp produces a symmetric (SYM) distribution. Sockets are porcelain 4KV pulse rated, medium base (E26) up to 150W or mogul base (E39) for 400W (coated lamp recommended)

(IL) Internal Louver - Stacked specular (bright dipped anodized) louver reflector produces a symmetric (Type V) distribution pattern. Sockets are porcelain 4KV pulse rated, medium base (E26) up to 150W or mogul base (E39) for 400W.

(PG) Prismatic Glass Refractor (Internal) - Borosilicate glass refractor produces either a symmetric (PG-V) or asymmetric (PG-III) distribution pattern. Sockets are porcelain 4KV pulse rated, medium base (E26) up to 150W or mogul base (E39) for 400W.

(OPT) Wide Angle Louver System - Wide angle optic consisting of gradient angled stacked specular (bright dipped anodized) louvers producing a symmetric (Type V) distribution pattern. Sockets are porcelain 4KV pulse rated, medium base (E26) up to 150W or mogul base (E39) for 400W.

ELECTRICAL COMPARTMENT/MODULE

Spun aluminum enclosure creates separate compartment or ballast components and serves as mounting platform for the lamp socket locating the lamp at the proper optical center for the acorn/globe. All electrical components are UL and cUL recognized are mounted on a single plate and factory prewired with quick-disconnect plugs. Electronic MH ballasts have power factor of >.95 (70W - 150W) -20°F starting, 120-277V or >.90, 347V option utilizes a step down transformer to the electronic ballast. Magnetic MH ballasts are high power factor (70W - 150W) or CWA (200 - 400W), -20°F starting, multi-tap 120-277V, 60Hz. All HPS ballasts are core and coil, high-reactance, high power factor (70W - 150W) or CWA (200W - 400W), -40°F starting.

FINISH

Polyester powder coat incorporates four step iron phosphate process to pretreat metal surface for maximum adhesion. Top coat is baked at 400°F for maximum hardness and exterior durability.

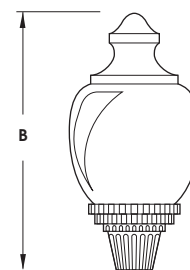
PROJECT NAME: _____

FIXTURE TYPE: _____




LAG

PATENT PENDING



FIXTURE	A	B
LAG1	16.5" 419mm	32" 813mm
LAG2	14" 356mm	28" 711mm

* WITH STANDARD -YA FITTER

 Light Pollution Control Classification System
Full cutoff 0% Uplight Luminaire

 U.L. Listed for wet location

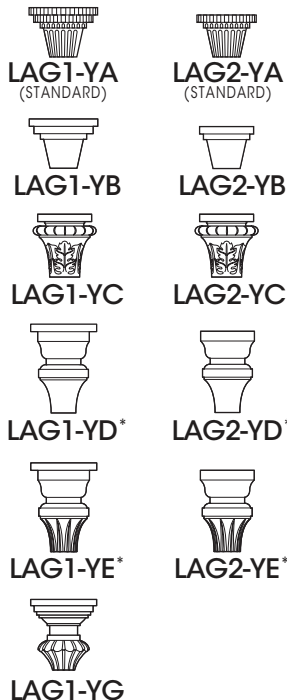
MADE IN THE


2015026

LAG SERIES - HID

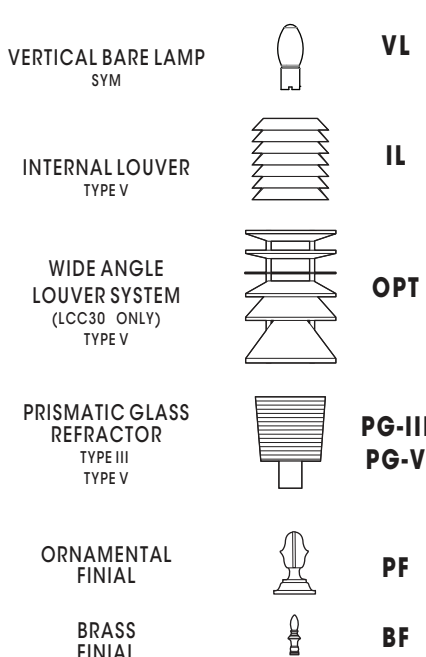
S P E C I F I C A T I O N S

OPTIONAL FITTERS

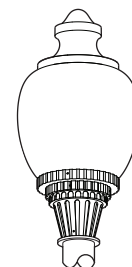


* AVAILABLE WITH TWIST LOCK PHOTOCELLS
SEE OPTIONS

OPTIONAL COMPONENTS



E.P.A. & LAMP WATTAGE



LAG1 E.P.A. = 1.66
LAMP SIZE: 50 - 400 WATT



LAG2 E.P.A. = 1.23
LAMP SIZE: 50 - 175 WATT

Spec/Order Example: LAG1-YE/IL-V/250PSMH480/3-90/RAL-9005/HT

S P E C / O R D E R I N G I N F O R M A T I O N

LUMINAIRE-FITTER	OPTICS	WATTAGE	TYPE	VOLTAGE	MOUNTING	FINISH	OPTIONS
LUMINAIRE	OPTICS	LAMP			MOUNTING	FINISH	OPTIONS
(400W REQUIRES "HT" OPTION)	VERTICAL BARE LAMP	WATTAGE	TYPE	VOLTAGE	ARM MOUNT	STANDARD TEXTURED FINISH	
<input type="checkbox"/> LAG1-YA	<input type="checkbox"/> TYPE SYMMETRIC VL - SYM	LAG1	<input type="checkbox"/> PSMH	<input type="checkbox"/> 120	<input type="checkbox"/> 1	<input type="checkbox"/> BLACK RAL-9005-T	<input type="checkbox"/> CLEAR POLYCARBONATE (STANDARD) CP
<input type="checkbox"/> LAG1-YB		<input type="checkbox"/> 400 ³	<input type="checkbox"/> HPS	<input type="checkbox"/> 208	<input type="checkbox"/> 2-180	<input type="checkbox"/> WHITE RAL-9003-T	<input type="checkbox"/> OPAL POLYCARBONATE .. WP
<input type="checkbox"/> LAG1-YC	GLASS REFRACTOR	<input type="checkbox"/> 175 ⁴		<input type="checkbox"/> 240	<input type="checkbox"/> 2-90	<input type="checkbox"/> GREY RAL-7004-T	<input type="checkbox"/> ORNAMENTAL FINIAL PF
<input type="checkbox"/> LAG1-YD	<input type="checkbox"/> TYPE III PG - III	<input type="checkbox"/> 150T ²		<input type="checkbox"/> 277	<input type="checkbox"/> 3-90	<input type="checkbox"/> DARK BRONZE RAL-8019-T	<input type="checkbox"/> BRASS FINIAL BF
<input type="checkbox"/> LAG1-YE	<input type="checkbox"/> TYPE V PG - V	<input type="checkbox"/> 150		<input type="checkbox"/> 347 (CAN)	<input type="checkbox"/> 3-120	<input type="checkbox"/> GREEN RAL-6005-T	<input type="checkbox"/> HEAT SHIELD HT (REQUIRED FOR 400W)
<input type="checkbox"/> LAG1-YG		<input type="checkbox"/> 100		<input type="checkbox"/> 480	<input type="checkbox"/> 4-90		<input type="checkbox"/> HOUSE SIDE SHIELD 90° HS90° 135° HS135° 180° HS180°
(175W MAX)	INTERNAL LOUVER	<input type="checkbox"/> 70T ²			WALL MOUNT	FOR SMOOTH FINISH REPLACE SUFFIX "T" WITH SUFFIX "S" (EXAMPLE: RAL-9500-S)	<input type="checkbox"/> PHOTO CELL + VOLTAGE (EXAMPLE: PC120V) PC+V
<input type="checkbox"/> LAG2-YA	<input type="checkbox"/> TYPE V IL - V	<input type="checkbox"/> 70			<input type="checkbox"/> WM	SEE USALTG.COM FOR ADDITIONAL COLORS	<input type="checkbox"/> TWIST LOCK RECEPTACLE ONLY. TPR
<input type="checkbox"/> LAG2-YB		<input type="checkbox"/> 50			POST TOP		<input type="checkbox"/> SINGLE FUSE (120V, 277V) SF
<input type="checkbox"/> LAG2-YC	WIDE ANGLE LOUVER SYSTEM¹				<input type="checkbox"/> PT		<input type="checkbox"/> DOUBLE FUSE (208V, 240V, 480V) DF
<input type="checkbox"/> LAG2-YD	<input type="checkbox"/> TYPE V OPT - V						
<input type="checkbox"/> LAG2-YE							
	NOTES: 1 - AVAILABLE WITH LAG1-YD, LAG1-YE & LAG1-YG FITTERS ONLY.						
		NOTES: 2 - G12 BASE. 3 - HT OPTION REQUIRED AND INC. 4 - POSITION SENSITIVE - Use "U" OR "V" LAMPS ONLY. NOT "VBU" RATED.					