

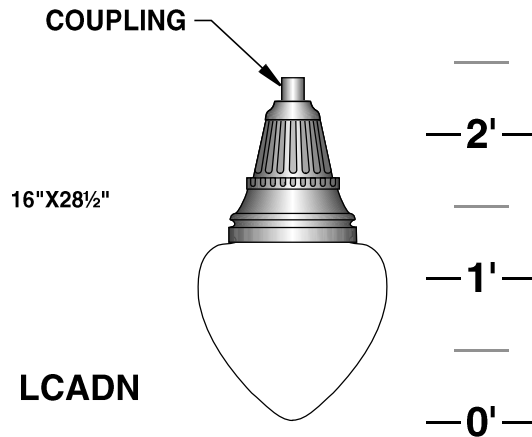
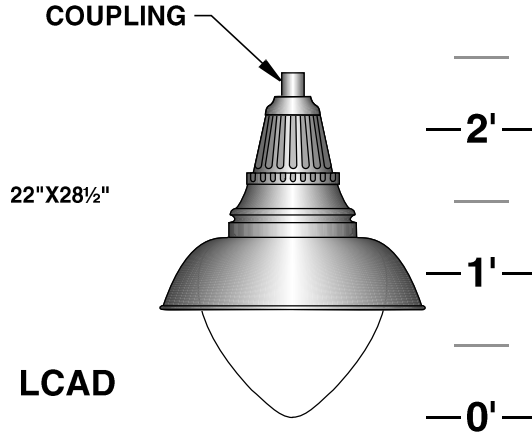


LUMINAIRE ACCESSORIES

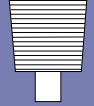
(SPECIFY AS SUFFIX TO LUMINAIRE NO.)

L-CAD

CAST ALUMINUM CONSTRUCTION. LUMINAIRE PROVIDED WITH PATTERNED POLYCARBONATE DIFFUSER AND SPUN ALUMINUM REFLECTOR

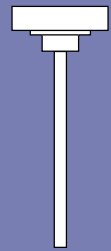


PRISMATIC GLASS REFRACTOR
TYPE III
TYPE V



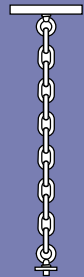
PG-III
PG-V

3/4" IPS STEM MOUNT AND SWIVEL CANOPY
(6'-0" MAX.)



SM

CHAIN MOUNTED
(4'-0" MAX.)



CM

BALLASTS ARE H.P.F. / C.W.A. AUTOTRANSFORMER, -20° STARTING TEMPERATURE

METAL HALIDE	HIGH PRESSURE SODIUM	MERCURY VAPOR	INC.	FOR FLUOR. LAMPS CONSULT FACTORY
50W.	50W.	50W.	TO	
70W.	70W.	75W.	200W.	
100W.	100W.	100W.		
175W.	150W.	175W.		
250W.	250W.	250W.		



STANDARD DIFFUSER: CLEAR POLYCARBONATE

OPTIONS:

OPAL POLYCARBONATE.....WP

HOUSE SIDE SHIELD 90°.....HS90°
135°.....HS135°
180°.....HS180°

PHOTO CELL + VOLTAGE
(EXAMPLE: PC120V).....PC+V

SINGLE FUSE (120V., 277V.).....SF

DOUBLE FUSE (208V., 240V., 480V.).....DF



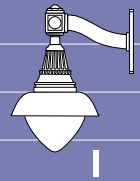
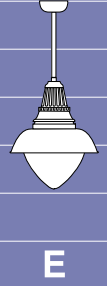
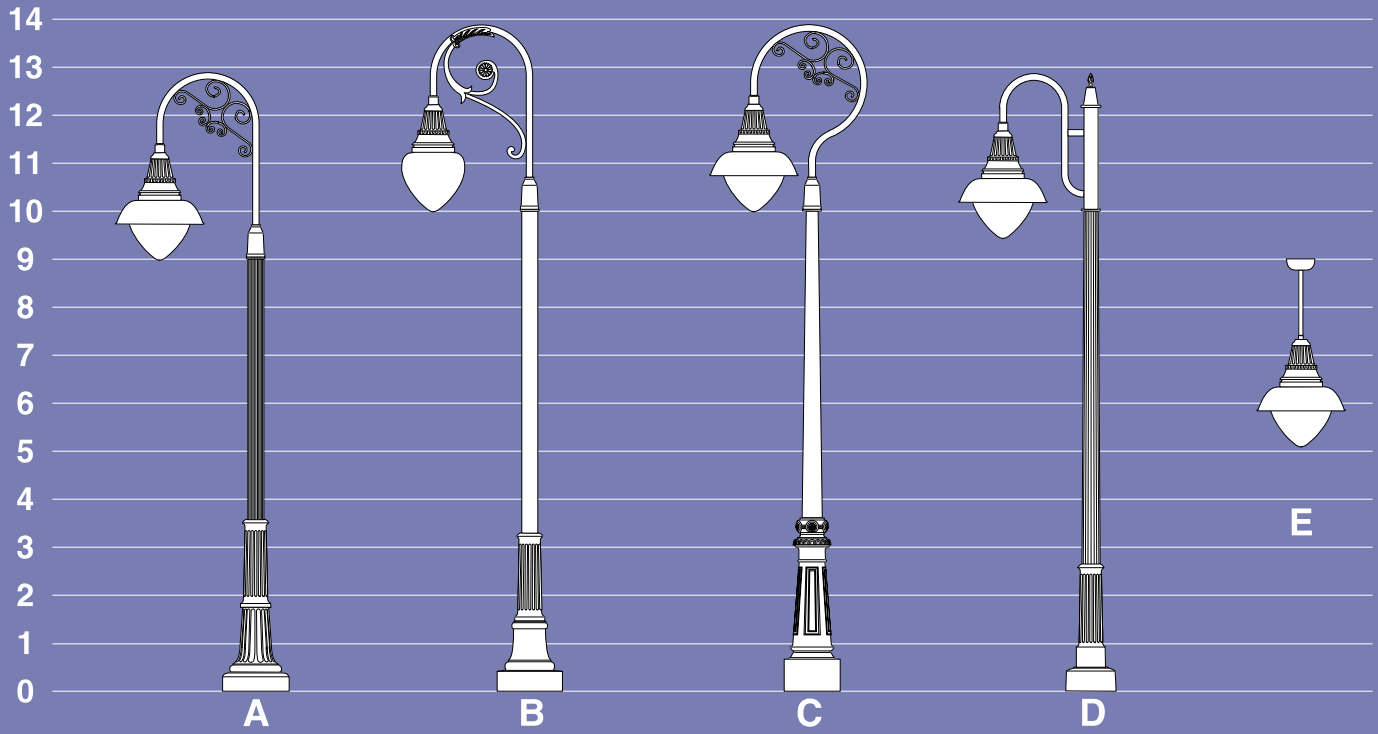
sun valley
LIGHTING

660 WEST AVENUE O, PALMDALE, CA 93551
(661) 233-2000
FAX (661) 233-2001
www.sunvalleylighting.com

LC-27

LCAD

SCALE: 1/4"=1'-0"



A. 3-1060-9/LCAD-WP/XPC-1/BALLAST/ACCESSORIES/FINISH

B. 42-1040-10/LCADN/XPO-1/BALLAST/ACCESSORIES/FINISH

C. 18M-1035T-10/LCAD-WP/XPHC/BALLAST/ACCESSORIES/FINISH

D. 21-1030C-10/LCAD/XPJ-1/BALLAST/ACCESSORIES/FINISH

E. LCAD-WP/SM/BALLAST/ACCESSORIES/FINISHS

F. 30-1080C-12/LCAD-WP/XPM-2-180/BALLAST/ACCESSORIES/FINISH

G. 20-1058C-10/LCADN/XPR-2-180/BALLAST/ACCESSORIES/FINISH

H. 7-1046T-10/LCAD-WP/XAN-2-180/BALLAST/ACCESSORIES/FINISH

I. WS/LCAD/XBE-WM/BALLAST/ACCESSORIES/FINISH