

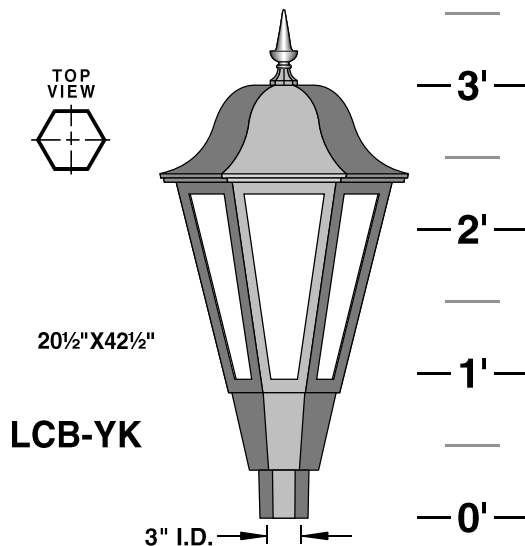
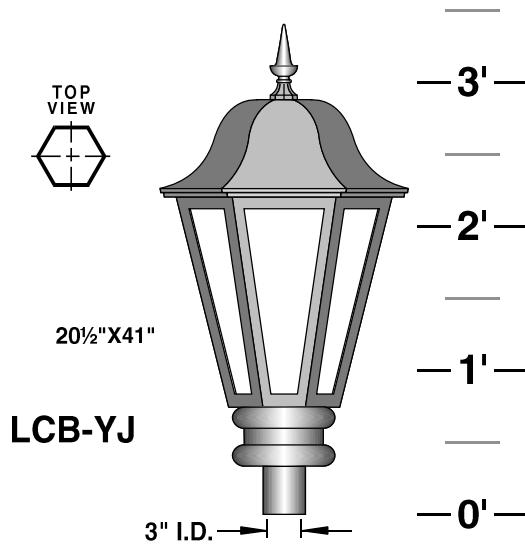


# LUMINAIRE ACCESSORIES

LCB

(SPECIFY AS SUFFIX TO LUMINAIRE NO.)

**CAST ALUMINUM CONSTRUCTION. LUMINAIRE PROVIDED WITH ACRYLIC OR POLYCARBONATE LENSES**



**BALLASTS ARE H.P.F. / C.W.A. AUTOTRANSFORMER, -20° STARTING TEMPERATURE**

METAL HALIDE	HIGH PRESSURE SODIUM	MERCURY VAPOR	FOR FLUOR. LAMPS CONSULT FACTORY
50W.	50W.	50W.	INC. TO 200W.
70W.	70W.	75W.	
100W.	100W.	100W.	
175W.	150W.	175W.	
250W.	250W.	250W.	

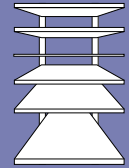


INTERNAL LOUVER



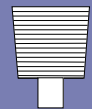
IL

WIDE ANGLE LOUVER SYSTEM



OPT

PRISMATIC GLASS REFRACTOR TYPE III TYPE V



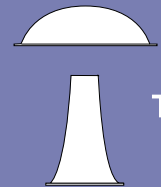
PG-III  
PG-V

GLASS CHIMNEY CLEAR OR 3/4 FROSTED



GCC  
GCF

TWIN REFLECTOR SYSTEM TYPE V



TR-V

**STANDARD PANELS:**  
CLEAR PATTERNED ACRYLIC

**OPTIONS:**  
 OPAL SMOOTH ACRYLIC.....WA  
 CLEAR SMOOTH ACRYLIC.....CA  
 OPAL SMOOTH POLYCARBONATE .....WP  
 CLEAR SMOOTH POLYCARBONATE.....CP

**REFLECTOR OPTIONS**  
 TYPE III (HORIZONTAL LAMP).....HR-III  
 TYPE V (HORIZONTAL LAMP).....HR-V

HOUSE SIDE SHIELD 90°.....HS90°  
 135°.....HS135°  
 180°.....HS180°

PHOTO CELL + VOLTAGE  
 (EXAMPLE: PC120V).....PC+V

SINGLE FUSE (120V., 277V.).....SF

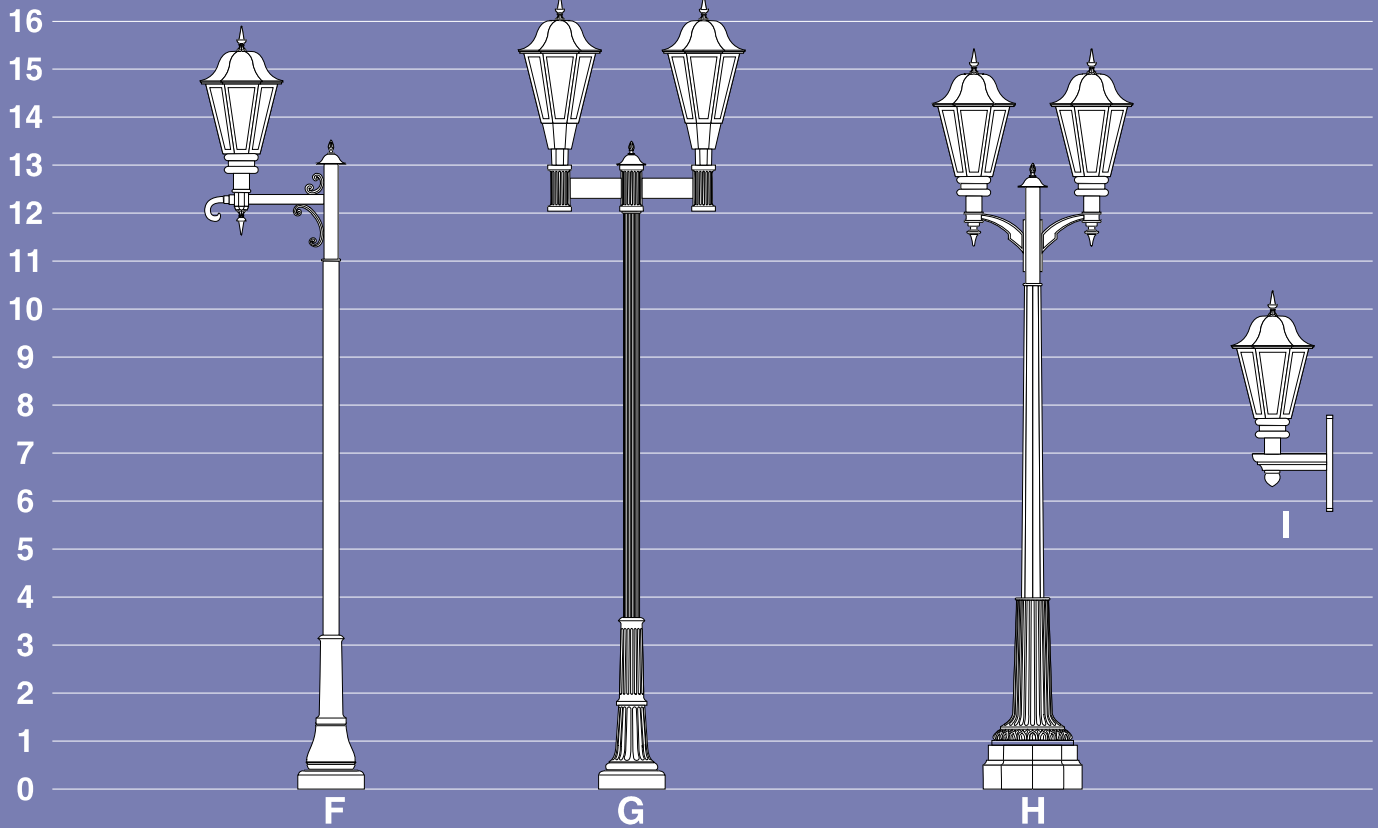
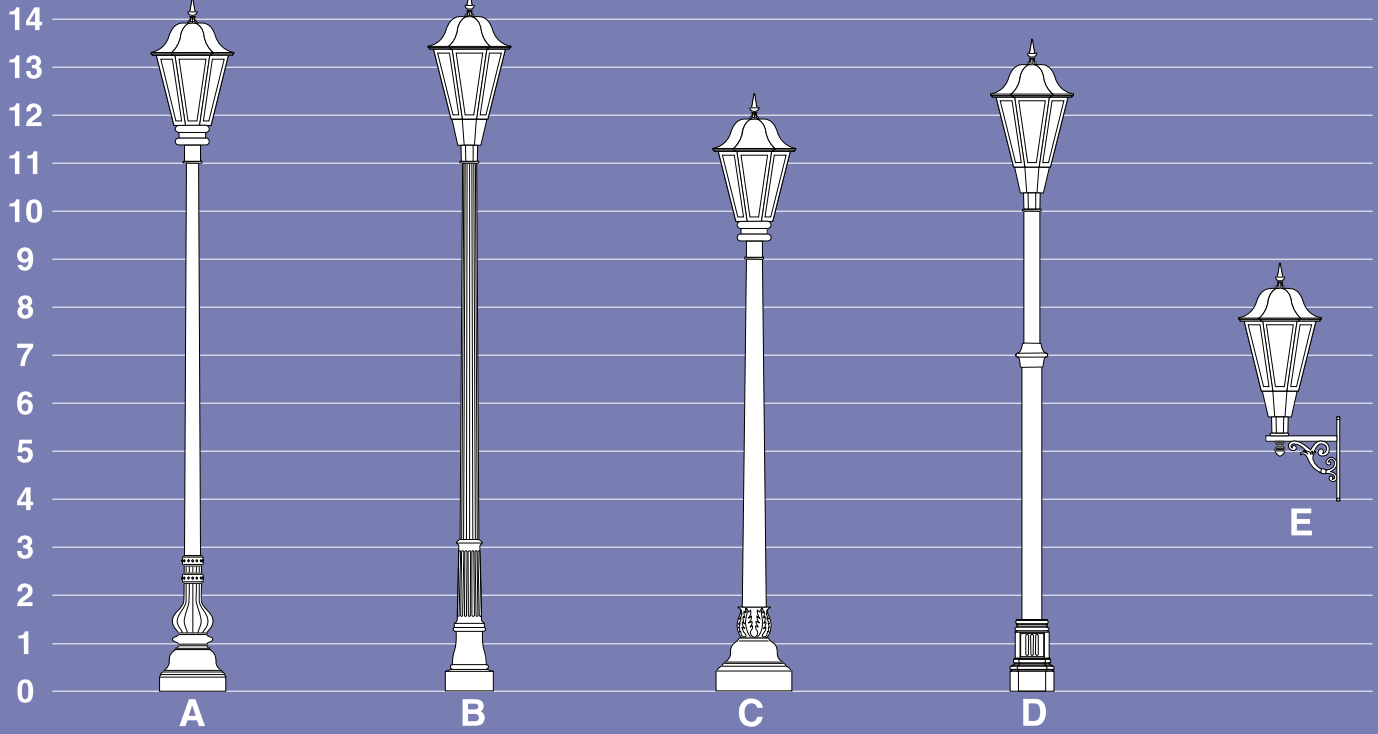
DOUBLE FUSE (208V., 240V., 480V.).....DF



**sun valley**  
LIGHTING

660 WEST AVENUE O, PALMDALE, CA 93551  
 (661) 233-2000  
 FAX (661) 233-2001  
 www.sunvalleylighting.com

SCALE: 1/4"=1'-0"



- A. 6-1030T-11/LCB-YJ-WA/PT/BALLAST/ACCESSORIES/FINISH
- B. 32-1030C-11/LCB-YK-CA/PT/BALLAST/ACCESSORIES/FINISH
- C. 2-1046T-9/LCB-YJ-WP/PT/BALLAST/ACCESSORIES/FINISH
- D. 31-5040-10/LCB-YK-CP/PT/BALLAST/ACCESSORIES/FINISH
- E. WS/LCB-YK-WA/XAT-WM/BALLAST/ACCESSORIES/FINISH

- F. 85-1040-11/LCB-YJ-CA/XAA-1/BALLAST/ACCESSORIES/FINISH
- G. 3-1060-12/LCB-YK-WP/XAM-2-180/BALLAST/ACCESSORIES/FINISH
- H. 29-1080C-10'-6"/LCB-YJ-WA /XAZ-UP-2-180/BALLAST/ACCESSORIES/FINISH
- I. WS/LCB-YJ-CA/XBW-WM/BALLAST/ACCESSORIES/FINISH