

H.I.D. AREA LIGHTING

LCC SERIES - HID

SPECIFICATIONS

PROJECT NAME: _____

FIXTURE TYPE: _____

LUMINAIRE

Luminaire Housing (3 Sizes) - Main housing consists of .125" corrosion resistant aluminum formed and welded to create an octagonal (8-sided) cage. The bottom hub and top cap are heavy wall cast, corrosion resistant aluminum (A356 alloy; <.2% copper). The bottom hub is welded to the cage and the top cap is hinged and gasketed for tool-less lamp access and replacement. All welds are blended to create a one-piece seamless appearance.

OPTICS

Horizontal Lamp

(HR) Reflector Module - One piece specular Alzak® optical reflector segments rigidly mounts to an aluminum frame and attaches to the housing. Reflector module is field rotatable in 90° increments. Sockets are porcelain 4KV pulse rated, medium base (E26) up to 150W or mogul base (E39) for 250W. Reflector modules are factory prewired with quick-disconnect plug.

Vertical Lamp

(VL) Bare Lamp - Vertically oriented base down lamp produces a symmetric (SYM) distribution. Sockets are porcelain 4KV pulse rated, medium base (E26) up to 150W or mogul base (E39) for 250W (coated lamp recommended). CPA, WA, WP lenses.

(IL) Internal Louver - Stacked specular (bright dipped anodized) louver reflector produces asymmetric (SYM) distribution pattern. Sockets are porcelain 4KV pulse rated, medium base (E26) up to 150W or mogul base (E39) for 250W. CPA, CA, CP lenses.

(OPT) Wide Angle Louver System - Wide angle optic consisting of gradient angled stacked specular (bright dipped anodized) louvers producing a symmetric (SYM) distribution pattern. Sockets are porcelain 4KV pulse rated, medium base (E26) up to 150W or mogul base (E39) for 250W. CPA, CA, CP lenses

(PG) Prismatic Glass Refractor (Internal) - Borosilicate glass refractor produces either a symmetric (PG-V) or asymmetric (PG-III) distribution pattern. Sockets are porcelain 4KV pulse rated, medium base (E26) up to 150W or mogul base (E39) for 250W. CPA, CA, CP lenses.

(TR) Twin Reflector - One-piece specular upper reflector combines with clear specular lower distributing reflector to produce a symmetric (SYM) light distribution. Sockets are porcelain 4KV pulse rated, medium base (E26) up to 150W or mogul base (E39) for 250W. CPA, CA, CP lenses.

LENSES

(CPA) Clear Patterned Acrylic with closed cell silicone gasket.

(CA) Clear Smooth Acrylic with closed cell silicone gasket.

(WA) Opal Smooth Acrylic with closed cell silicone gasket.

(CP) Clear Smooth Polycarbonate with closed cell silicone gasket.

(WP) Opal Smooth Polycarbonate with closed cell silicone gasket.

ELECTRICAL COMPARTMENT/MODULE

Spun aluminum enclosure creates separate compartment for ballast components and in Vertical Lamp Optics serves as mounting platform for the lamp socket locating the lamp at the proper optical center for the system. All electrical components are UL and cUL recognized are mounted on a single plate and factory prewired with quick-disconnect plugs. Electronic MH ballasts have power factor of >.95 (70W - 150W) -20°F starting, 120-277V or >.90 (210W), -4°F starting, 200 - 277V, 50Hz/60Hz and has lamp End-of-life protection. 347V option utilizes a step down transformer to the electronic ballast. Magnetic MH ballasts are high power factor (70W - 150W) or CWA (200 - 250W), -20°F starting, multi-tap 120-277V, 60Hz. All HPS ballasts are core and coil, high-reactance, high power factor (70W - 150W) or CWA (200W - 250W), -40°F starting.

FINISH

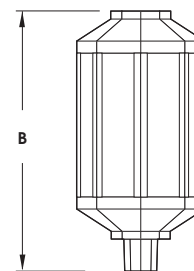
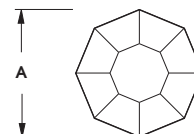
Electrostatically applied TGIC Polyester Powder Coat on substrate prepared with 20 PSI power wash at 140° F. Four step iron phosphate pretreatment for protection and paint adhesion. 400°F bake for maximum hardness and durability. Texture finish is standard.



LCC*

*LCC30 SHOWN

PATENT PENDING






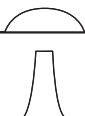


FIXTURE	A	B
LCC30	16" 406mm	33.5" 851mm
LCC22	11" 279mm	26" 660mm
LCC18	11" 279mm	22" 559mm

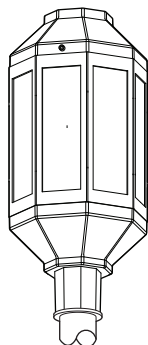
LCC SERIES - HID

S P E C I F I C A T I O N S

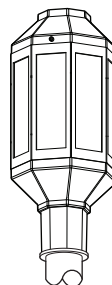
OPTIC OPTIONS

- VERTICAL BARE LAMP  **VL**
- HORIZONTAL REFLECTOR  **HR**
- INTERNAL LOUVER  **IL**
- WIDE ANGLE LOUVER SYSTEM (LCC30 ONLY)  **OPT**
- PRISMATIC GLASS REFRACTOR  **PG**
- TWIN REFLECTOR SYSTEM TYPE V  **TR-V**

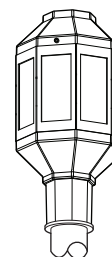
E.P.A. & LAMP WATTAGE



LCC30 E.P.A.= 2.65
LAMP SIZE: 50 - 250 WATT


























LCC22 E.P.A.= 1.20
LAMP SIZE: 50 - 100 WATT



LCC18 E.P.A.= 1.00
LAMP SIZE: 50 - 100 WATT

Spec/Order Example: LCC18/VL-SYM/150PSMH347/PT/RAL-7004/TPR

S P E C / O R D E R I N G I N F O R M A T I O N

LUMINAIRE	OPTICS	WATTAGE	TYPE	VOLTAGE	MOUNTING	FINISH	OPTIONS
LUMINAIRE	OPTICS	LAMP			MOUNTING	FINISH	OPTIONS
<input type="checkbox"/> LCC30	HORIZONTAL REFLECTOR <input type="checkbox"/> TYPE II HR - II  <input type="checkbox"/> TYPE III HR - III  <input type="checkbox"/> TYPE IV HR - IV  <input type="checkbox"/> TYPE V-SQ HR - V-SQ  VERTICAL BARE LAMP <input type="checkbox"/> TYPE SYMMETRIC VL - SYM  INTERNAL LOUVER <input type="checkbox"/> TYPE V IL - V  GLASS REFRACTOR <input type="checkbox"/> TYPE III PG - III  <input type="checkbox"/> TYPE V PG - V  WIDE ANGLE LOUVER <input type="checkbox"/> TYPE V OPT - V  (AVAILABLE IN LCC1 ONLY) TWIN REFLECTOR <input type="checkbox"/> TYPE V TR - V 	LCC30 <input type="checkbox"/> 250 <input type="checkbox"/> 175 ² <input type="checkbox"/> 150T ¹ <input type="checkbox"/> 150 <input type="checkbox"/> 100 <input type="checkbox"/> 70T ¹ <input type="checkbox"/> 70 <input type="checkbox"/> 50	<input type="checkbox"/> PSMH <input type="checkbox"/> HPS	<input type="checkbox"/> 120 <input type="checkbox"/> 208 <input type="checkbox"/> 240 <input type="checkbox"/> 277 <input type="checkbox"/> 347 <input type="checkbox"/> 480	ARM MOUNT <input type="checkbox"/> 1  <input type="checkbox"/> 2-180  <input type="checkbox"/> 2-90  <input type="checkbox"/> 3-90  <input type="checkbox"/> 3-120  <input type="checkbox"/> 4-90  WALL MOUNT <input type="checkbox"/> WM  POST TOP <input type="checkbox"/> PT 	STANDARD TEXTURED FINISH <input type="checkbox"/> BLACK RAL-9005-T <input type="checkbox"/> WHITE RAL-9003-T <input type="checkbox"/> GREY RAL-7004-T <input type="checkbox"/> DARK BRONZE RAL-8019-T <input type="checkbox"/> GREEN RAL-6005-T FOR SMOOTH FINISH REPLACE SUFFIX "T" WITH SUFFIX "S" (EXAMPLE: RAL-9500-S) SEE USALTG.COM FOR ADDITIONAL COLORS	<input type="checkbox"/> CLEAR SMOOTH ACRYLIC (STANDARD WITH HR REFLECTORS) CA <input type="checkbox"/> CLEAR SMOOTH POLYCARBONATE CP <input type="checkbox"/> CLEAR PATTERNED ACRYLIC (STANDARD EXCEPT HR REFLECTORS) CPA <input type="checkbox"/> OPAL SMOOTH ACRYLIC..... WA <input type="checkbox"/> OPAL SMOOTH POLYCARBONATE WP <input type="checkbox"/> HOUSE SIDE SHIELD 90° HS90° 135° HS135° 180° HS180° <input type="checkbox"/> PHOTO CELL + VOLTAGE (EXAMPLE: PC120V) PC+V <input type="checkbox"/> TWIST LOCK RECEPTACLE ONLY..... TPR <input type="checkbox"/> SINGLE FUSE (120V, 277V) SF <input type="checkbox"/> DOUBLE FUSE (208V, 240V, 480V) DF CONSULT FACTORY FOR DIMMING APPLICATIONS
<input type="checkbox"/> LCC22	INTERNAL LOUVER <input type="checkbox"/> TYPE V IL - V 	LCC22 & LCC18 <input type="checkbox"/> 100 <input type="checkbox"/> 70T ¹ <input type="checkbox"/> 70 <input type="checkbox"/> 50					
<input type="checkbox"/> LCC18	GLASS REFRACTOR <input type="checkbox"/> TYPE III PG - III  <input type="checkbox"/> TYPE V PG - V  WIDE ANGLE LOUVER <input type="checkbox"/> TYPE V OPT - V  (AVAILABLE IN LCC1 ONLY) TWIN REFLECTOR <input type="checkbox"/> TYPE V TR - V 						

NOTES:
1 - G12 BASE
2 - POSITION SENSITIVE - DO NOT
USE "VBU" LAMPS.