

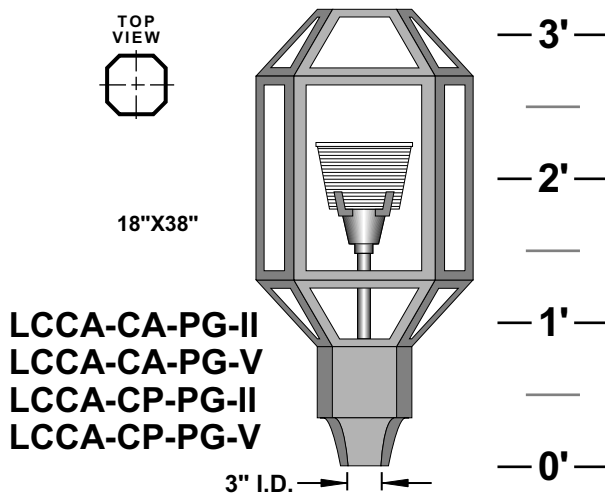
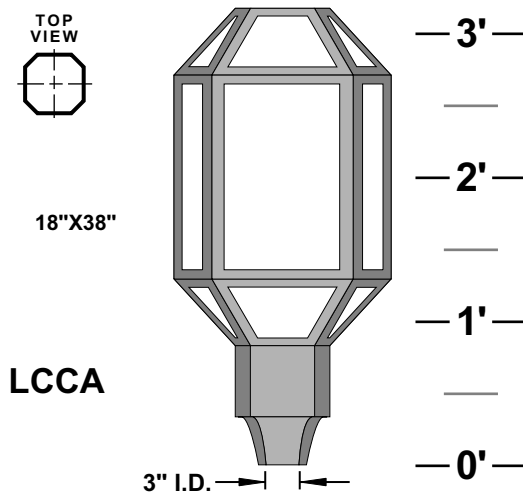


# LUMINAIRE ACCESSORIES

(SPECIFY AS SUFFIX TO LUMINAIRE NO.)

LCCA

**CAST ALUMINUM CONSTRUCTION. LUMINAIRE PROVIDED WITH ACRYLIC OR POLYCARBONATE LENSES. LUMINAIRE FEATURES UP LIGHT**



**BALLASTS ARE H.P.F. / C.W.A. AUTOTRANSFORMER, -20° STARTING TEMPERATURE**

METAL HALIDE	HIGH PRESSURE SODIUM	MERCURY VAPOR	FOR FLUOR. LAMPS CONSULT FACTORY
50W.	50W.	50W.	INC. TO 200W.
70W.	70W.	75W.	
100W.	100W.	100W.	
175W.	150W.	175W.	
250W.	250W.	250W.	

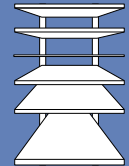


INTERNAL LOUVER



IL

WIDE ANGLE LOUVER SYSTEM



OPT

PRISMATIC GLASS REFRACTOR TYPE II TYPE V



PG-II  
PG-V

GLASS CHIMNEY CLEAR OR 3/4 FROSTED



GCC  
GCF

**STANDARD PANELS:**  
CLEAR PATTERNED ACRYLIC

**OPTIONS:**

OPAL SMOOTH ACRYLIC.....WA  
CLEAR SMOOTH ACRYLIC.....CA  
OPAL SMOOTH POLYCARBONATE .....WP  
CLEAR SMOOTH POLYCARBONATE.....CP

HOUSE SIDE SHIELD 90°.....HS90°  
135°.....HS135°  
180°.....HS180°

PHOTO CELL + VOLTAGE  
(EXAMPLE: PC120V).....PC+V

SINGLE FUSE (120V., 277V.).....SF

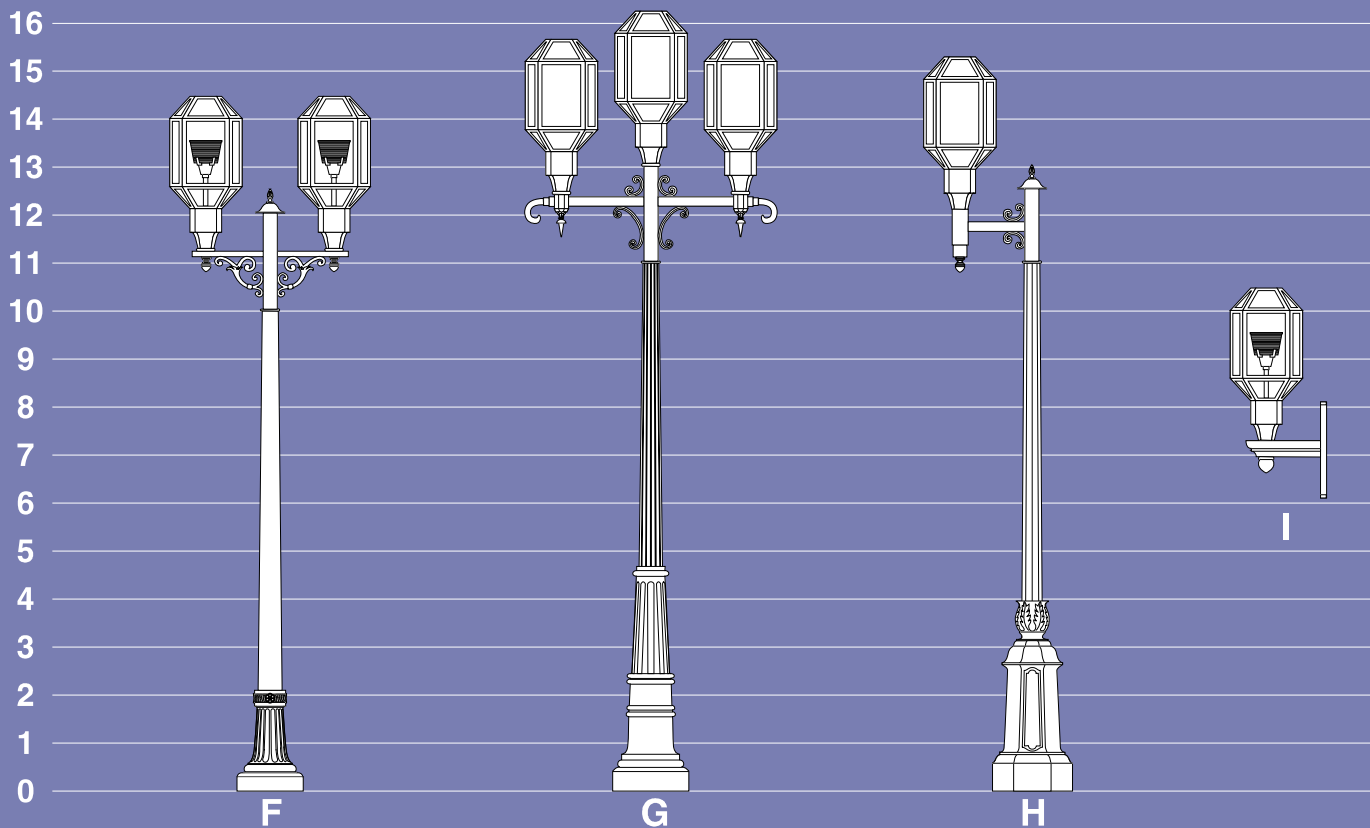
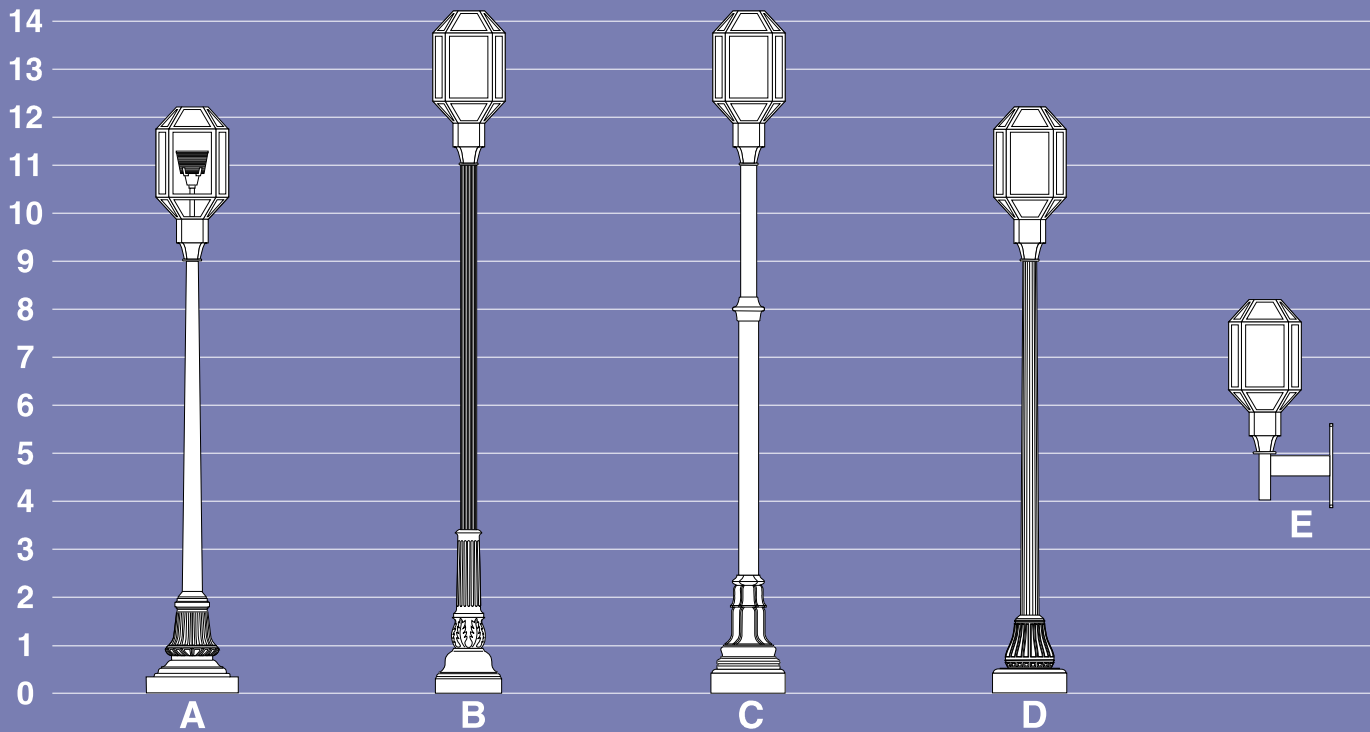
DOUBLE FUSE (208V., 240V., 480V.).....DF



**sun valley**  
LIGHTING

660 WEST AVENUE O, PALMDALE, CA 93551  
(661) 233-2000  
FAX (661) 233-2001  
www.sunvalleylighting.com

SCALE: 1/4"=1'-0"



- A. 34-1035T-9/LCCA-CP-PG-II/PT/BALLAST/ACCESSORIES/FINISH
- B. 5-1060-11/LCCA-WP/PT/BALLAST/ACCESSORIES/FINISH
- C. 19-5040-11/LCCA-CA/PT/BALLAST/ACCESSORIES/FINISH
- D. 17-1030C-9/LCCA30/PT/BALLAST/ACCESSORIES/FINISH
- E. WS/LCCA-CA/XAO-WM/BALLAST/ACCESSORIES/FINISH

- F. 7-1046T-10/LCCA-CA-PG-V/XAT-2-180/BALLAST/ACCESSORIES/FINISH
- G. 36-1050C-11/LCCA-WA/XAA-3-180/BALLAST/ACCESSORIES/FINISH
- H. 1-1058C-11/LCCA-CP/XAJ-1/BALLAST/ACCESSORIES/FINISH
- I. WS/LCCA-CP PG-V/XBW-WM/BALLAST/ACCESSORIES/FINISH