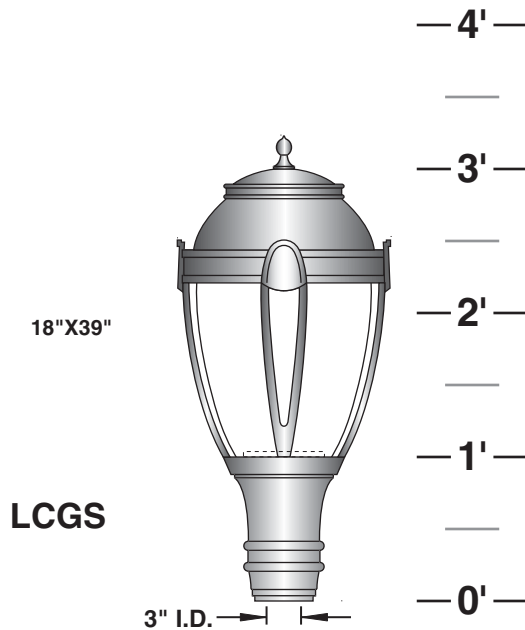


(SPECIFY AS SUFFIX TO LUMINAIRE NO.)

PATTERNED ACRYLIC DIFFUSER PROVIDED WITH DECORATIVE CAST ALUMINUM ENCLOSURE, TOP AND FITTER



BALLASTS ARE H.P.F. / C.W.A. AUTOTRANSFORMER, -20° STARTING TEMPERATURE

METAL HALIDE	HIGH PRESSURE SODIUM	MERCURY VAPOR	INC. TO 200W.	FOR FLUOR. LAMPS CONSULT FACTORY
50W.	50W.	50W.		
70W.	70W.	75W.		
100W.	100W.	100W.		
175W.	150W.	175W.		



STANDARD:
SOLID TOP



OPTION:
CLEAR ACRYLIC TOP
(FOR UPLIGHT)

INTERNAL LOUVER



PRISMATIC GLASS REFRACTOR
TYPE III
TYPE V



HOUSE SIDE SHIELD
90°, 135°, 180°



STANDARD DIFFUSER:
CLEAR TEXTURED ACRYLIC

REFLECTOR OPTIONS

- TYPE III (HORIZONTAL LAMP).....HR-III
- TYPE III (VERTICAL LAMP).....VR-III
- TYPE V-SQ (HORIZONTAL LAMP)...HR-V-SQ
- TYPE V-SQ (VERTICAL LAMP).....VR-V-SQ

- HOUSE SIDE SHIELD 90°.....HS90°
- 135°.....HS135°
- 180°.....HS180°

PHOTO CELL + VOLTAGE
(EXAMPLE: PC120V).....PC+V

SINGLE FUSE (120V., 277V.).....SF

DOUBLE FUSE (208V., 240V., 480V.).....DF