

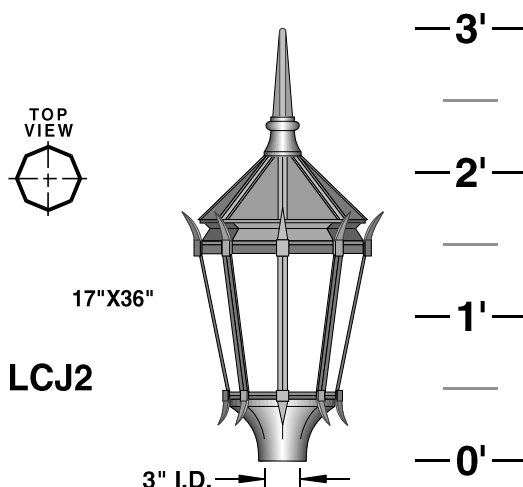
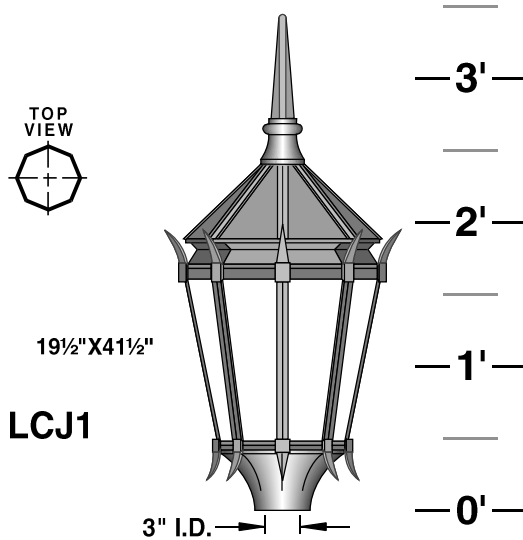


LUMINAIRE ACCESSORIES

(SPECIFY AS SUFFIX TO LUMINAIRE NO.)

LCJ

CAST ALUMINUM CONSTRUCTION. LUMINAIRE PROVIDED WITH ACRYLIC OR POLYCARBONATE LENSES



BALLASTS ARE H.P.F. / C.W.A. AUTOTRANSFORMER, -20° STARTING TEMPERATURE

	METAL HALIDE	HIGH PRESSURE SODIUM	MERCURY VAPOR	INC. TO 200W.	FOR FLUOR. LAMPS CONSULT FACTORY
LCJ1	LCJ2	50W.	50W.	50W.	
		70W.	70W.	75W.	
		100W.	100W.	100W.	
		175W.	150W.	175W.	
		250W.	250W.	250W.	

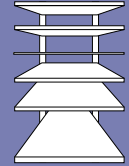
UL U.L. Listed for wet location

INTERNAL LOUVER



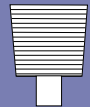
IL

WIDE ANGLE LOUVER SYSTEM (LCJ1 ONLY)



OPT

PRISMATIC GLASS REFRACTOR TYPE III TYPE V



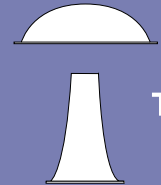
PG-III
PG-V

GLASS CHIMNEY CLEAR OR 3/4 FROSTED



GCC
GCF

TWIN REFLECTOR SYSTEM TYPE V



TR-V

STANDARD PANELS: CLEAR PATTERNED ACRYLIC

OPTIONS:

- OPAL SMOOTH ACRYLIC.....WA
- CLEAR SMOOTH ACRYLIC.....CA
- OPAL SMOOTH POLYCARBONATEWP
- CLEAR SMOOTH POLYCARBONATE.....CP

REFLECTOR OPTIONS

- TYPE III (HORIZONTAL LAMP).....HR-III
- TYPE V (HORIZONTAL LAMP).....HR-V

- HOUSE SIDE SHIELD 90°.....HS90°
- 135°.....HS135°
- 180°.....HS180°

PHOTO CELL + VOLTAGE (EXAMPLE: PC120V).....PC+V

SINGLE FUSE (120V., 277V.).....SF

DOUBLE FUSE (208V., 240V., 480V.).....DF

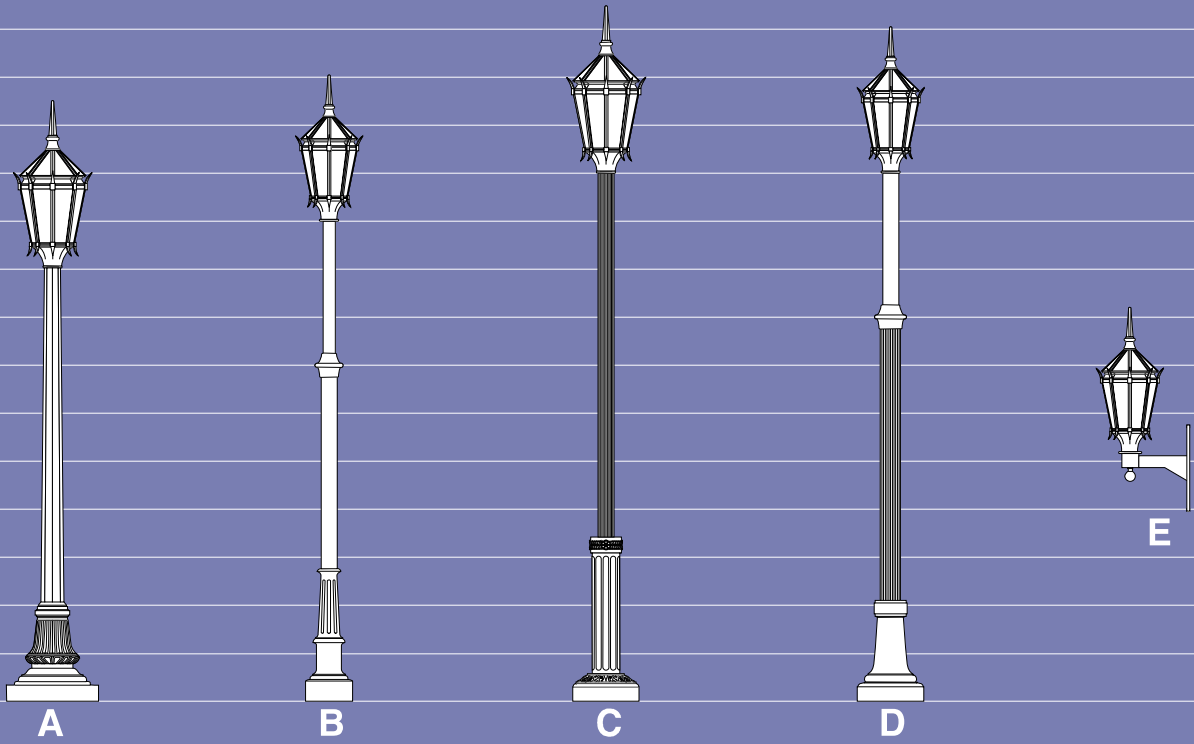


sun valley
LIGHTING

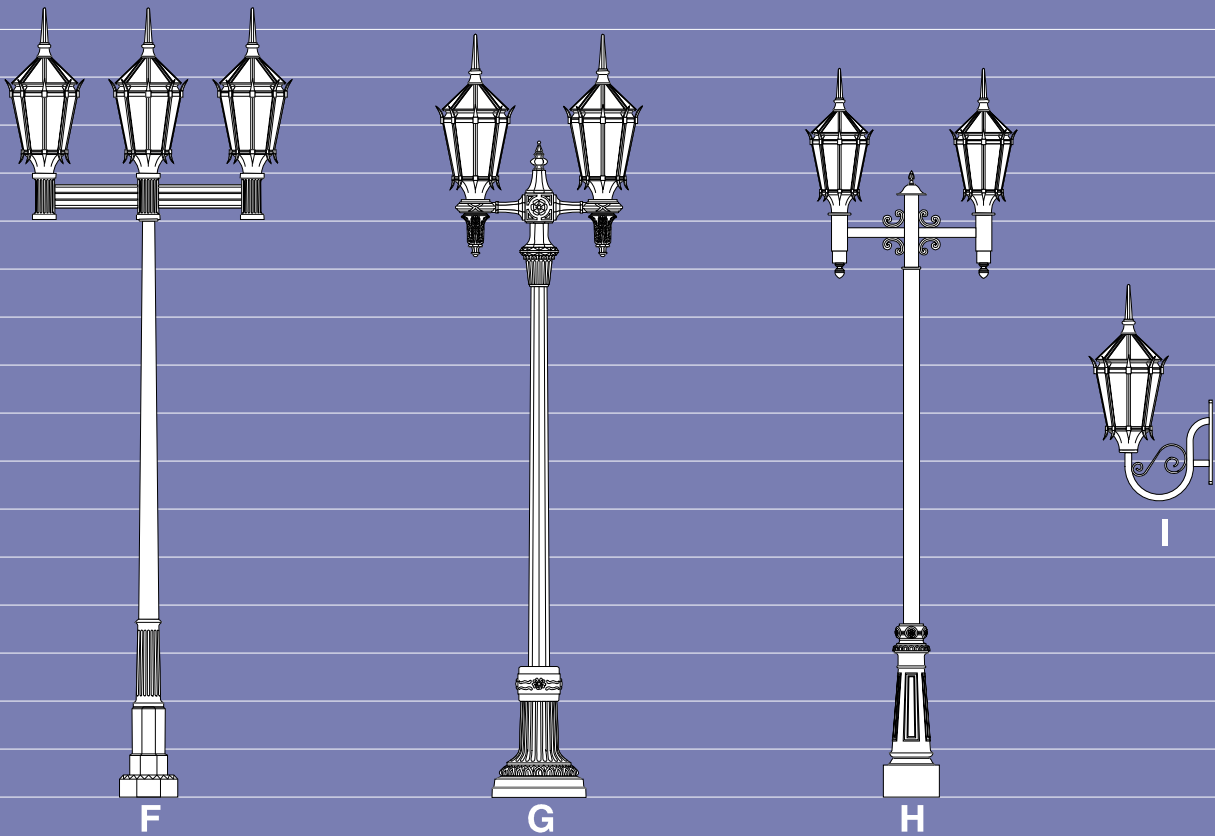
660 WEST AVENUE O, PALMDALE, CA 93551
(661) 233-2000
FAX (661) 233-2001
www.sunvalleylighting.com

SCALE: 1/4"=1'-0"

14
13
12
11
10
9
8
7
6
5
4
3
2
1
0



16
15
14
13
12
11
10
9
8
7
6
5
4
3
2
1
0



- A. 34-1080C-9/LCJ1-CP/PT/BALLAST/ACCESSORIES/FINISH
- B. 4M-4030-10/LCJ2/PT/BALLAST/ACCESSORIES/FINISH
- C. 23-1060-11/LCJ1-CA/PT/BALLAST/ACCESSORIES/FINISH
- D. 75-7040-11/LCJ2-WP/PT/BALLAST/ACCESSORIES/FINISH
- E. WS/LCJ2-WA/XBY-WM/BALLAST/ACCESSORIES/FINISH

- F. 10-1035T-12/LCJ1-CP/XAX-4-90/BALLAST/ACCESSORIES/FINISH
- G. 28-1058C-10/LCJ1-WP/XAP-2-180/BALLAST/ACCESSORIES/FINISH
- H. 18M-1040-11/LCJ2/XAJ-2-180/BALLAST/ACCESSORIES/FINISH
- I. WS/LCJ1-WA/XBJ-WM/BALLAST/ACCESSORIES/FINISH