

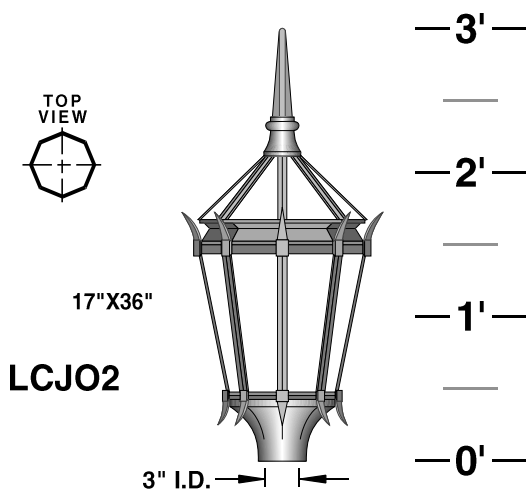
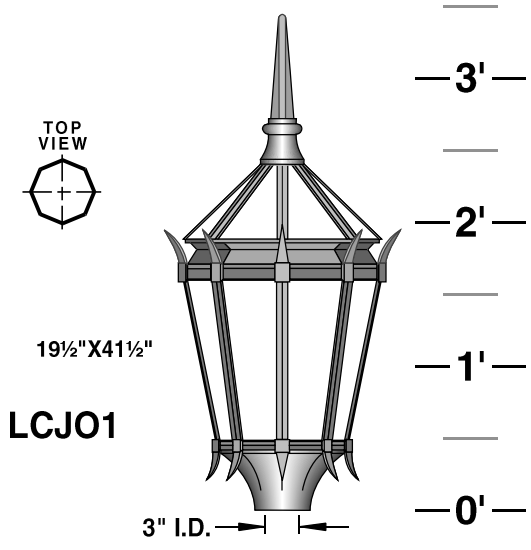


LUMINAIRE ACCESSORIES

(SPECIFY AS SUFFIX TO LUMINAIRE NO.)

LCJO

CAST ALUMINUM CONSTRUCTION. LUMINAIRE PROVIDED WITH ACRYLIC OR POLYCARBONATE LENSES. LUMINAIRE FEATURES UP LIGHT



BALLASTS ARE H.P.F. / C.W.A. AUTOTRANSFORMER, -20° STARTING TEMPERATURE

| LCJO1 | LCJO2 | METAL HALIDE | HIGH PRESSURE SODIUM | MERCURY VAPOR | FOR FLUOR. LAMPS CONSULT FACTORY |
|-------|-------|--------------|----------------------|---------------|----------------------------------|
| | | 50W. | 50W. | 50W. | INC. TO 200W. |
| | 70W. | 70W. | 75W. | | |
| | 100W. | 100W. | 100W. | | |
| | 175W. | 150W. | 175W. | | |
| | 250W. | 250W. | 250W. | | |

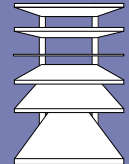


INTERNAL LOUVER



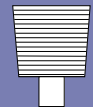
IL

WIDE ANGLE LOUVER SYSTEM (LCJO1 ONLY)



OPT

PRISMATIC GLASS REFRACTOR TYPE III TYPE V



PG-III
PG-V

GLASS CHIMNEY CLEAR OR 3/4 FROSTED



GCC
GCF

STANDARD PANELS:
CLEAR PATTERNED ACRYLIC

OPTIONS:

OPAL SMOOTH ACRYLIC.....WA
 CLEAR SMOOTH ACRYLIC.....CA
 OPAL SMOOTH POLYCARBONATEWP
 CLEAR SMOOTH POLYCARBONATE.....CP

HOUSE SIDE SHIELD 90°.....HS90°
 135°.....HS135°
 180°.....HS180°

SINGLE FUSE (120V., 277V.).....SF

DOUBLE FUSE (208V., 240V., 480V.).....DF



sun valley
LIGHTING

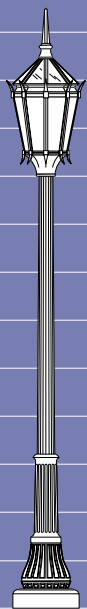
660 WEST AVENUE O, PALMDALE, CA 93551
 (661) 233-2000
 FAX (661) 233-2001
 www.sunvalleylighting.com

SCALE: 1/4"=1'-0"

14
13
12
11
10
9
8
7
6
5
4
3
2
1
0



A



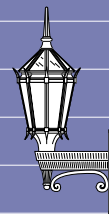
B



C

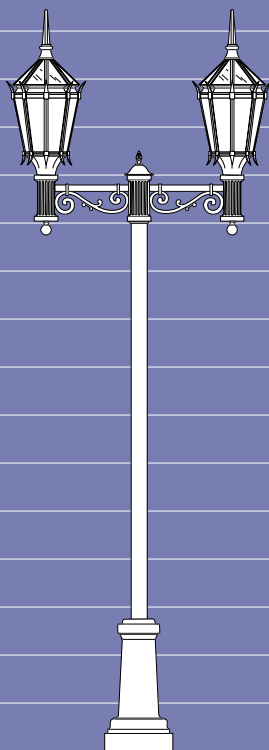


D

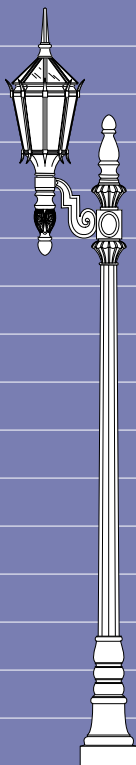


E

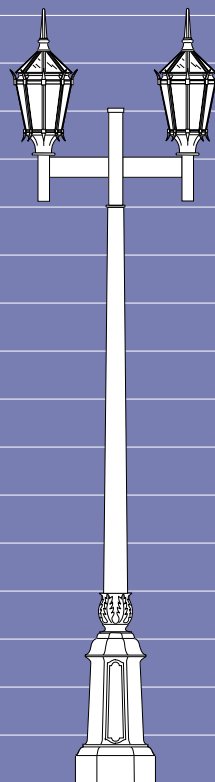
16
15
14
13
12
11
10
9
8
7
6
5
4
3
2
1
0



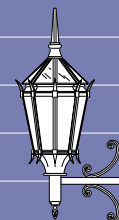
F



G



H



I

FT.

- A. 14-9040-10/LCJO1-WA/PT/BALLAST/ACCESSORIES/FINISH
- B. 8-1030C-9/LCJO1-CA/PT/BALLAST/ACCESSORIES/FINISH
- C. 38-1035T-10/LCJO2-WP/PT/BALLAST/ACCESSORIES/FINISH
- D. 15-1060-11/LCJO2/PT/BALLAST/ACCESSORIES/FINISH
- E. WS/LCJO2-CP/XAD-WM/BALLAST/ACCESSORIES/FINISH

- F. 45-1040-11/LCJO1-CA/XAY-2-180/BALLAST/ACCESSORIES/FINISH
- G. 40-1058C-10'-6"/LCJO1-WP/XAC-1/BALLAST/ACCESSORIES/FINISH
- H. 1-1046T-12/LCJO2/XAO-2-180/BALLAST/ACCESSORIES/FINISH
- I. WS/LCJO1-CP/XAE-WM/BALLAST/ACCESSORIES/FINISH