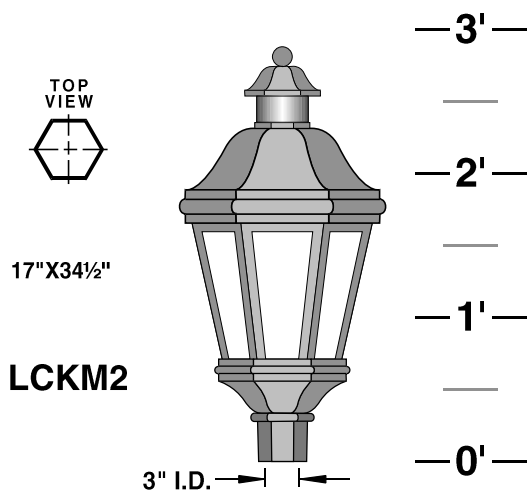
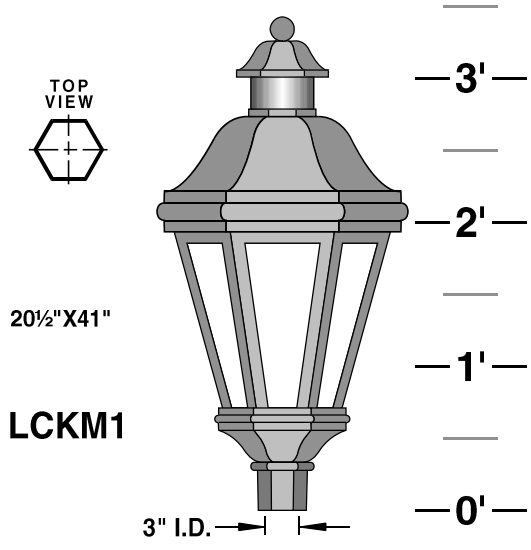


(SPECIFY AS SUFFIX TO LUMINAIRE NO.)

CAST ALUMINUM CONSTRUCTION. LUMINAIRE PROVIDED WITH ACRYLIC OR POLYCARBONATE LENSES

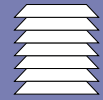


BALLASTS ARE H.P.F. / C.W.A. AUTOTRANSFORMER, -20° STARTING TEMPERATURE

	METAL HALIDE	HIGH PRESSURE SODIUM	MERCURY VAPOR	INC. TO 200W.	FOR FLUOR. LAMPS CONSULT FACTORY	
LCKM1 {	LCKM2 {	50W.	50W.	50W.		
		70W.	70W.	75W.		
		100W.	100W.	100W.		
		175W.	150W.	175W.		
		250W.	250W.	250W.		

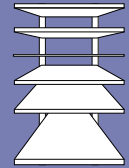
U.L. Listed for wet location

INTERNAL LOUVER



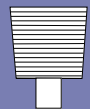
IL

WIDE ANGLE LOUVER SYSTEM (LCKM1 ONLY)



OPT

PRISMATIC GLASS REFRACTOR TYPE III TYPE V



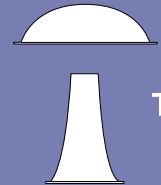
PG-III
PG-V

GLASS CHIMNEY CLEAR OR ¾ FROSTED



GCC
GCF

TWIN REFLECTOR SYSTEM TYPE V



TR-V

STANDARD PANELS:
CLEAR PATTERNED ACRYLIC

OPTIONS:
 OPAL SMOOTH ACRYLIC.....WA
 CLEAR SMOOTH ACRYLIC.....CA
 OPAL SMOOTH POLYCARBONATEWP
 CLEAR SMOOTH POLYCARBONATE.....CP

REFLECTOR OPTIONS
 TYPE III (HORIZONTAL LAMP).....HR-III
 TYPE V (HORIZONTAL LAMP).....HR-V

HOUSE SIDE SHIELD 90°.....HS90°
 135°.....HS135°
 180°.....HS180°

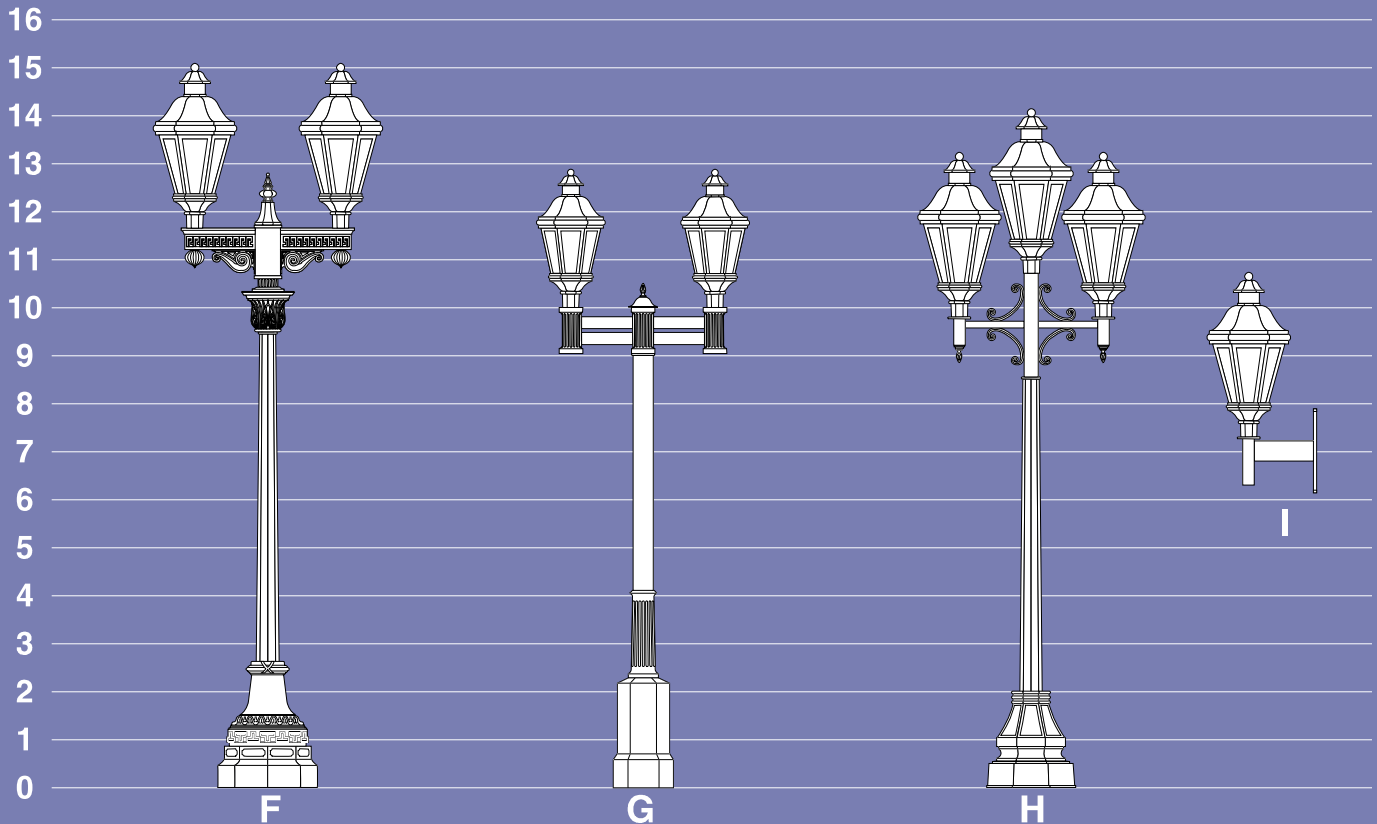
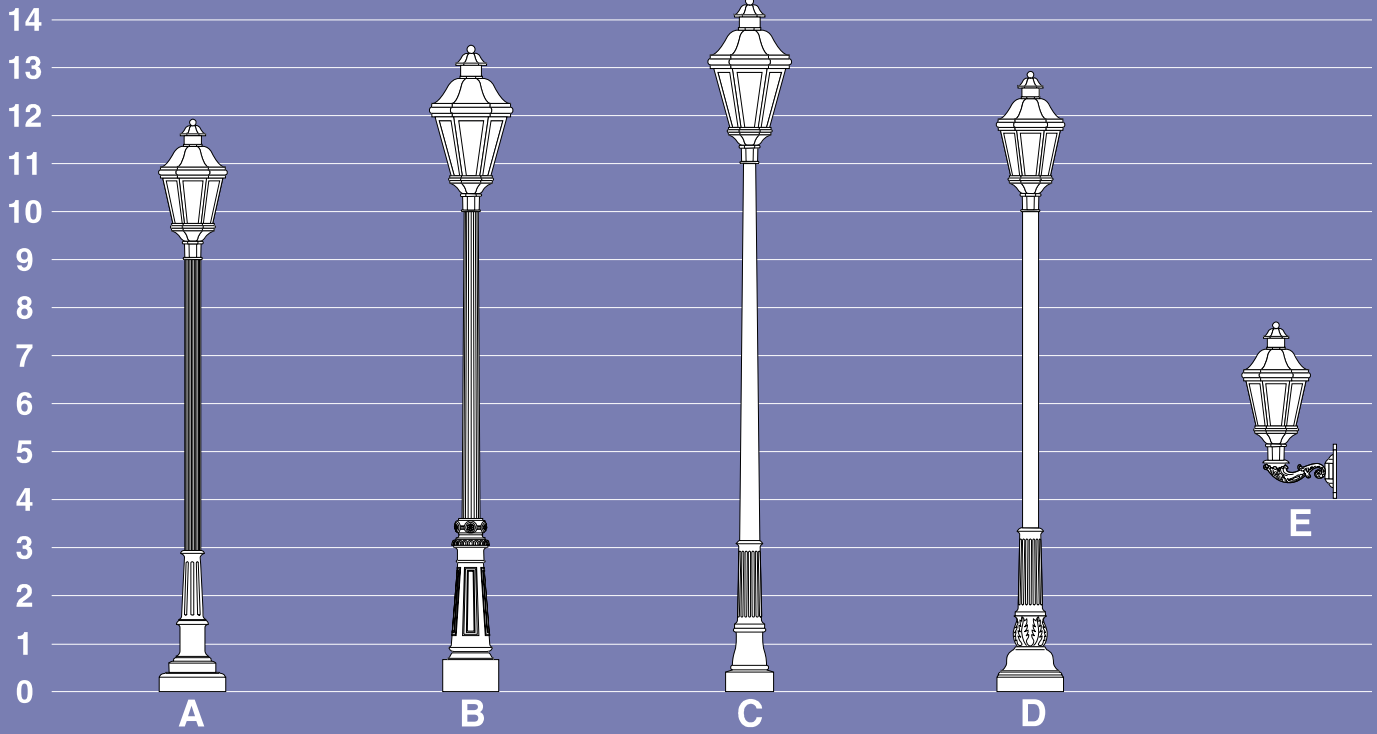
PHOTO CELL + VOLTAGE (EXAMPLE: PC120V).....PC+V

SINGLE FUSE (120V., 277V.).....SF

DOUBLE FUSE (208V., 240V., 480V.).....DF

LCKM

SCALE: 1/4"=1'-0"



- A. 4-1060-9/LCKM2-WA/PT/BALLAST/ACCESSORIES/FINISH
- B. 18M-1030C-10/LCKM1-CP/PT/BALLAST/ACCESSORIES/FINISH
- C. 32-1035T-11/LCKM1-CA/PT/BALLAST/ACCESSORIES/FINISH
- D. 5-1040-10/LCKM2/PT/BALLAST/ACCESSORIES/FINISH
- E. WS/LCKM2-CP/XAB-WM/BALLAST/ACCESSORIES/FINISH

- F. 27-1080C-9'-6"/LCKM1/XBA-2-180/BALLAST/ACCESSORIES/FINISH
- G. 16-1050-9/LCKM2-WA/XAV-2-180/BALLAST/ACCESSORIES/FINISH
- H. 46-1046T-8'-6"/LCKM1-CA/XAE-3-180/BALLAST/ACCESSORIES/FINISH
- I. WS/LCKM1-CP/XAO-WM/BALLAST/ACCESSORIES/FINISH