

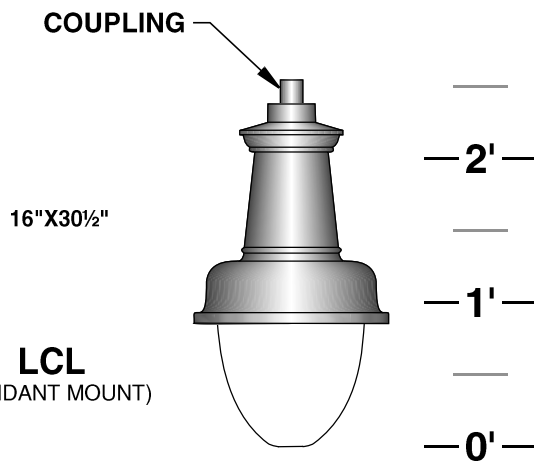
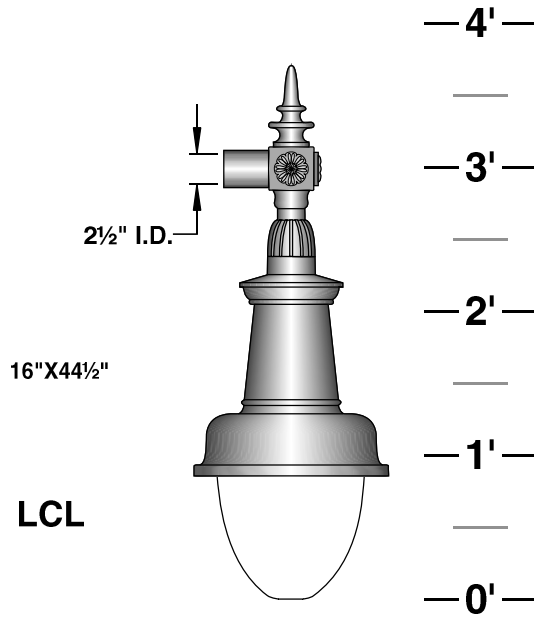


# LUMINAIRE ACCESSORIES

**LC-29**

(SPECIFY AS SUFFIX TO LUMINAIRE NO.)

**CAST ALUMINUM CONSTRUCTION. LUMINAIRE PROVIDED WITH ACRYLIC OR POLYCARBONATE DIFFUSER**

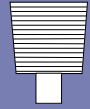


**BALLASTS ARE H.P.F. / C.W.A. AUTOTRANSFORMER, -20° STARTING TEMPERATURE**

METAL HALIDE	HIGH PRESSURE SODIUM	MERCURY VAPOR	FOR FLUOR. LAMPS CONSULT FACTORY
50W.	50W.	50W.	INC. TO 200W.
70W.	70W.	75W.	
100W.	100W.	100W.	
175W.	150W.	175W.	
250W.	250W.	250W.	

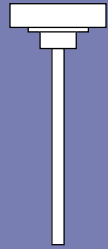


PRISMATIC GLASS REFRACTOR TYPE III TYPE V



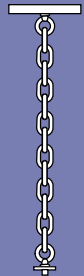
PG-III  
PG-V

3/4" IPS STEM MOUNT AND SWIVEL CANOPY (6'-0" MAX.)



SM

CHAIN MOUNTED (4'-0" MAX.)



CM

**STANDARD DIFFUSER: CLEAR LINEAR PRISMATIC POLYCARBONATE DIFFUSER**

**OPTIONS:**

CLEAR SMOOTH ACRYLIC.....CA  
OPAL SMOOTH ACRYLIC.....WA  
CLEAR SMOOTH POLYCARBONATE.....CP  
OPAL SMOOTH POLYCARBONATE.....WP  
HORIZONTAL REFLECTOR TYPE III.....HR-III

HORIZONTAL REFLECTOR TYPE V.....HR-V

HOUSE SIDE SHIELD 90°.....HS90°  
135°.....HS135°  
180°.....HS180°

PHOTO CELL + VOLTAGE (EXAMPLE: PC120V).....PC+V

SINGLE FUSE (120V., 277V.).....SF

DOUBLE FUSE (208V., 240V., 480V.).....DF

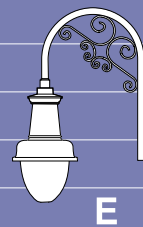
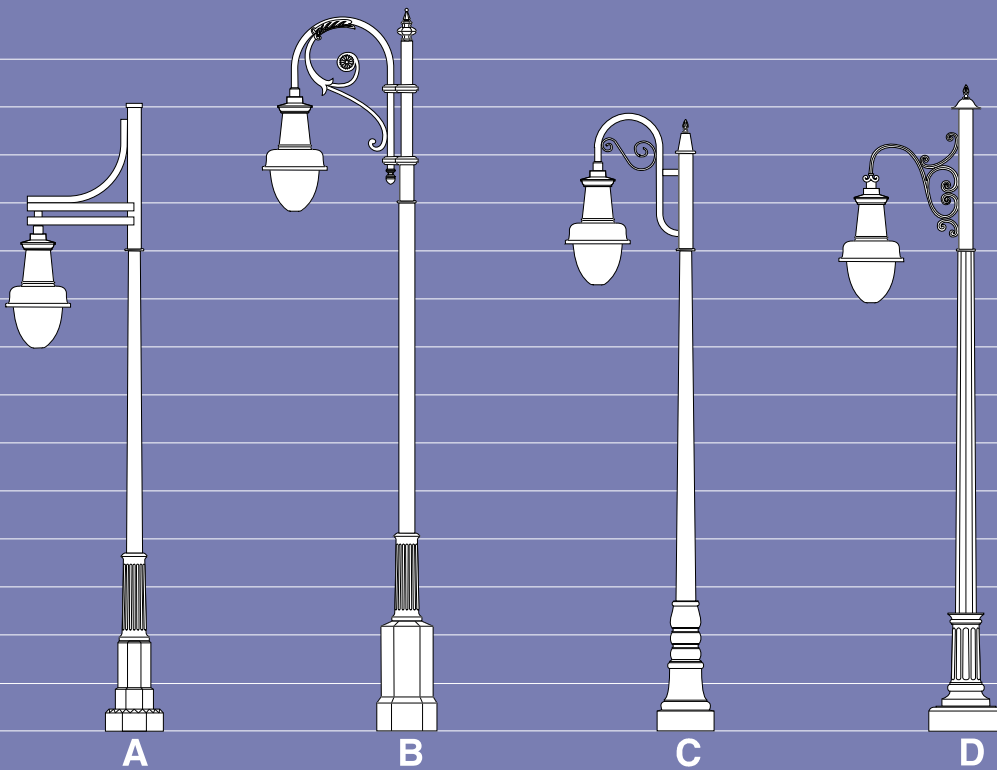


**sun valley**  
LIGHTING

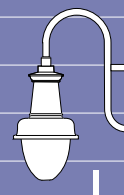
660 WEST AVENUE O, PALMDALE, CA 93551  
(661) 233-2000  
FAX (661) 233-2001  
www.sunvalleylighting.com

LC-29

14  
13  
12  
11  
10  
9  
8  
7  
6  
5  
4  
3  
2  
1  
0



16  
15  
14  
13  
12  
11  
10  
9  
8  
7  
6  
5  
4  
3  
2  
1  
0



FT.

- A. 10-1030T-10'/LCL-CA/XBC-1/BALLAST/ACCESSORIES/FINISH
- B. 16-1040-11'/LCL-CP/XPM-1/BALLAST/ACCESSORIES/FINISH
- C. 40-1035T-10'/LCL-WA/XPR-1/BALLAST/ACCESSORIES/FINISH
- D. 13-1058C-10'/LCL-WP/XAN-1/BALLAST/ACCESSORIES/FINISH
- E. WS/LCL/XPC-WM/BALLAST/ACCESSORIES/FINISH

- F. 36-1030C-12'/LCL-WA/XPY-2-180/BALLAST/ACCESSORIES/FINISH
- G. 29-1050C-12'/LCL-CP/XPO-2-180/BALLAST/ACCESSORIES/FINISH
- H. 22-1046T-11'/LCL/XPJ-2-180/BALLAST/ACCESSORIES/FINISH
- I. WS/LCL-WP/XPJ-WM/BALLAST/ACCESSORIES/FINISH