

SOLID STATE AREA LIGHTING

LCLS20 SERIES-LED

SPECIFICATIONS

HOUSING

Heavy cast low copper aluminum assembly (A356 alloy, <.2% copper) minimum wall thickness .188". Housing provided with True Level™ ball aligner mounting system to connect to arm assembly. Twin integral cast lugs on lower casting cradle fastener to provide unique safety feature. This unique feature guards against accidental opening of the housing.

LED OPTICAL MODULE

Low copper A356 alloy (<.2% copper) cast aluminum housing. Integrated clear tempered 3/16" flat glass (FG) lens or borosilicate prismatic glass refracting lens (GR) is sealed with a continuous silicone gasket protects emitters (LED's) and emitter Reflector-Prism optics, and seals the module from water intrusion and environmental contaminants. LED's are available in standard Neutral White (4000K), or optional Cool White (5000K) or Warm White (3000K). Each emitter is optically controlled by a Reflector-Prism injection molded from H12 acrylic (3 types per module; one from 0° - 50°; one from 50° - 65°; one from 65° - 72°). Each Reflector-Prism has indexing pins for aiming and is secured to an optical plate made of matte black anodized aluminum. The optical plate locates every Reflector-Prism over an emitter. Reflector-Prisms are secured to the optical plate with a UV curing adhesive. The Reflector-Prisms are arrayed to produce IES Type II, III, IV, and V-SQ distributions. The entire optical module is field rotatable in 90° increments. Both module and drivers are factory wired using water resistant, insulated cord. Lens, module and drivers are field replaceable.

LED EMITTERS

High Output LED's are driven at 350mA for nominal 1 Watt output each or 525mA for nominal 1.5 Watt output each. LED's are available in standard Neutral White (4000K), or optional Cool White (5000K) or Warm White (3000K). Consult Factory for other LED options.

LED DRIVER

UL and CUL recognized High Power Factor, Constant Current LED drivers operate on input voltages from 120-277VAC, 50/60hz. Consult Factory for 347-480VAC. Driver is mechanically fastened to a retaining bracket. Main power quick disconnect provided. Driver has a minimum 4KV of internal surge protection, 10KV & 20KV Surge Protector optional. Dimming and High-Low Driver options available.

FINISH

Electrostatically applied TGIC Polyester Powder Coat on substrate prepared with 20 PSI power wash at 140°F. Four step iron phosphate pretreatment for protection and paint adhesion. 400°F bake for maximum hardness and durability. Texture finish is standard.

PROJECT NAME: _____

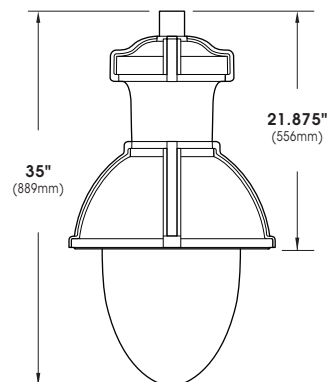
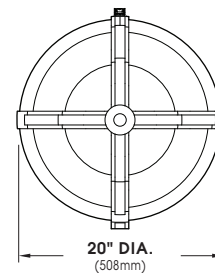
FIXTURE TYPE: _____



LCLS20 *

* SHOWN WITH -GR OPTION

PATENT PENDING



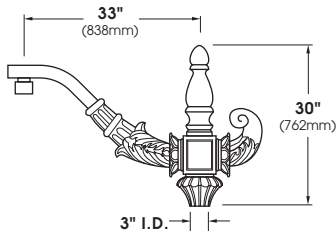
2013180

LCLS20 SERIES - LED

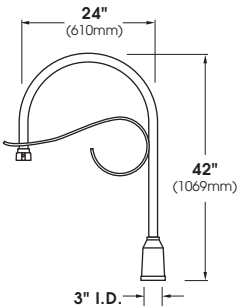
S P E C I F I C A T I O N S

MOUNTING STYLES

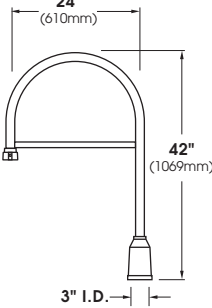
XPY



XPD

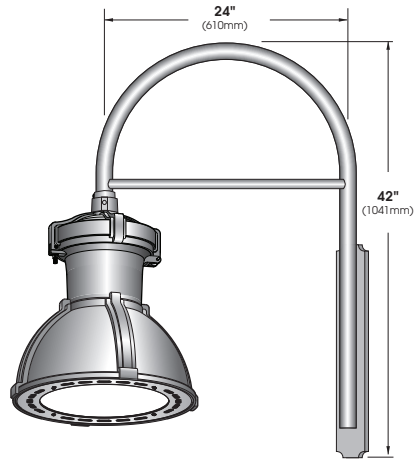


XPS



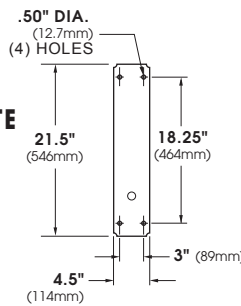
ARMS ARE HEAVY WALL EXTRUDED ALUMINUM CONSTRUCTION. FOR ADDITIONAL ARM OPTIONS SEE ARM SECTION.

WALL MOUNT

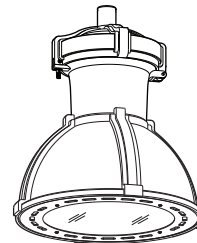


ARM BRACKET EXTRUDED AND CAST ALUMINUM CONSTRUCTION,

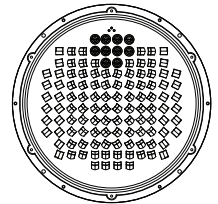
WALL PLATE



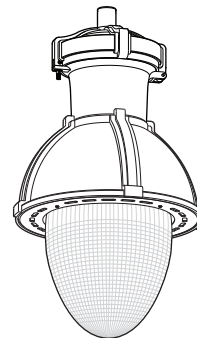
VLED® MODULES



LCLS20-FG
E.P.A. = 1.46
Available in:
120, 100, 80, & 64
LED Module



120 LED Module



LCLS20-GR
E.P.A. = 2.19
Available in:
120, 100, 80, & 64
LED Module

MAX INPUT WATTAGE

# OF LED's	DRIVE CURRENT	350mA	525mA
120	131W	198W	
100	110W	164W	
80	91W	130W	
64	70W	105W	

O R D E R I N G I N F O R M A T I O N

LUMINAIRE	OPTICS	# of LED's	DRIVE CURRENT	COLOR	VOLTAGE	MOUNTING	FINISH	OPTIONS
LUMINAIRE	OPTICS	LED		MOUNTING		FINISH	OPTIONS	
LCLS20-GR (Prismatic Glass)	VLED® IES DISTRIBUTION TYPE	# of LED's	DRIVE CURRENT	COLOR	VOLTAGE	ARM MOUNT	STANDARD TEXTURED FINISH	
<input type="checkbox"/> LCLS20-FG (Flat Glass)	<input type="checkbox"/> VLED - II (Type-II)	<input type="checkbox"/> 120LED	<input type="checkbox"/> 350mA	<input type="checkbox"/> NW (4000K) *STANDARD	<input type="checkbox"/> 120	<input type="checkbox"/> XPY	<input type="checkbox"/> BLACK RAL-9005-T	<input type="checkbox"/> INTERNAL HOUSE SIDE SHIELDS... HS
	<input type="checkbox"/> VLED - III (Type-III)	<input type="checkbox"/> 100LED	<input type="checkbox"/> 525mA	<input type="checkbox"/> CW (5000K)	<input type="checkbox"/> 208	<input type="checkbox"/> XPD	<input type="checkbox"/> WHITE RAL-9003-T	<input type="checkbox"/> EXTERNAL HOUSE SIDE SHIELD... EHS
	<input type="checkbox"/> VLED - IV (Type-IV)	<input type="checkbox"/> 80LED		<input type="checkbox"/> WW (3000K)	<input type="checkbox"/> 240	<input type="checkbox"/> XPS	<input type="checkbox"/> GREY RAL-7004-T	<input type="checkbox"/> DIMMABLE DRIVER(S) (0-10V)... DIM
	<input type="checkbox"/> VLED - VSQ (Type-VSQ)	<input type="checkbox"/> 64LED		OTHER LED COLORS AVAILABLE CONSULT FACTORY	<input type="checkbox"/> 277	<input type="checkbox"/> 1	<input type="checkbox"/> DARK BRONZE RAL-8019-T	<input type="checkbox"/> HIGH-LOW DIMMING FOR HARDWIRED SWITCHING OR NON-INTEGRATED MOTION SENSOR... HLSW
					<input type="checkbox"/> 347	<input type="checkbox"/> LEVELING ALIGNER...LA	<input type="checkbox"/> GREEN RAL-6005-T	<input type="checkbox"/> PHOTO CELL + VOLTAGE (EXAMPLE: PC120V)... PC+V
					<input type="checkbox"/> 480	<input type="checkbox"/> WALLMOUNT	FOR SMOOTH FINISH REMOVE SUFFIX "T" (EXAMPLE: RAL-9500)	<input type="checkbox"/> TWIST LOCK PHOTOCELL +VOLTAGE... TPC+V
						<input type="checkbox"/> WM	SEE USALTG.COM FOR ADDITIONAL COLORS	<input type="checkbox"/> TWIST LOCK PHOTOCELL RECEPTACLE ONLY... TPR
								<input type="checkbox"/> 10KV SURGE PROTECTOR... 10SP
								<input type="checkbox"/> 20KV SURGE PROTECTOR (277V & 480V Only)... 20SP