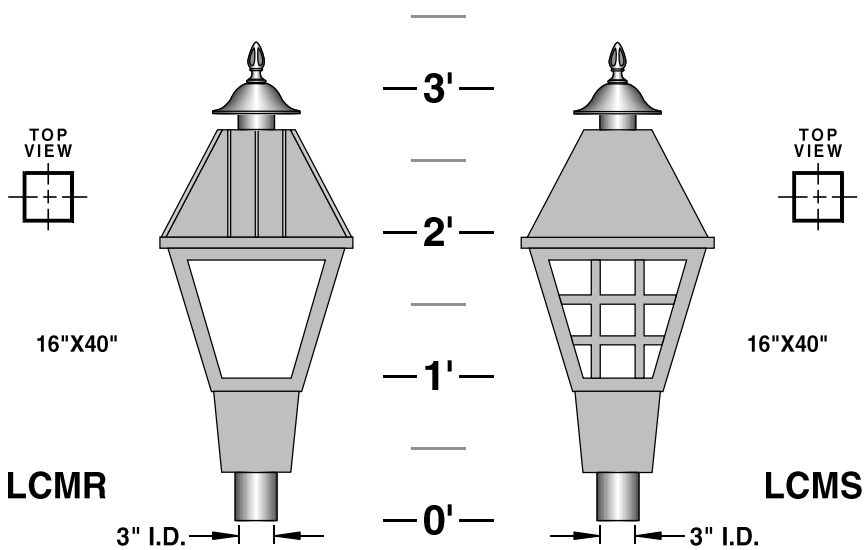
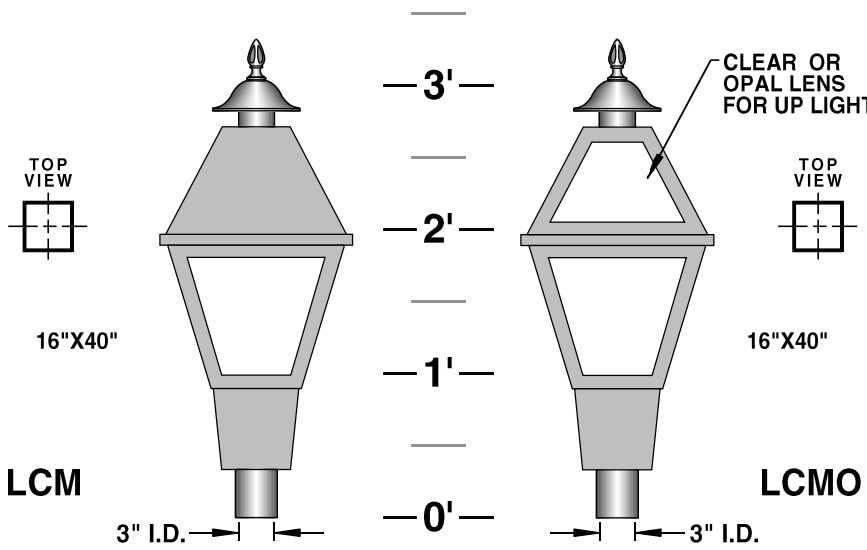


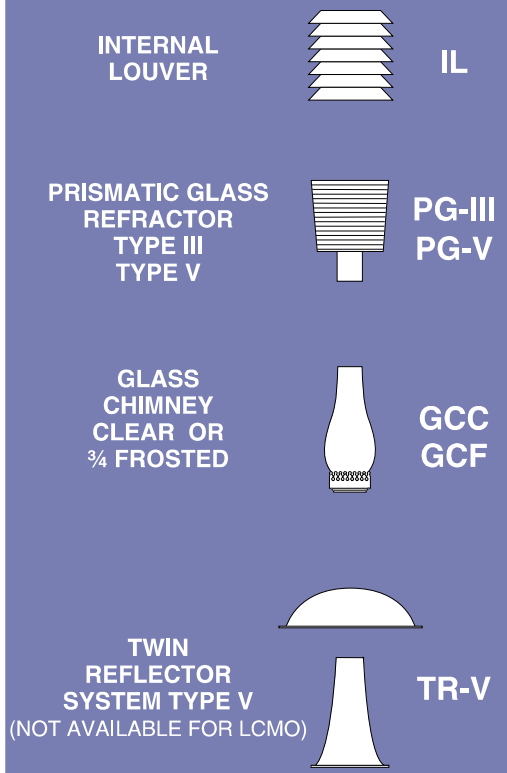
(SPECIFY AS SUFFIX TO LUMINAIRE NO.)

**CAST ALUMINUM CONSTRUCTION. LUMINAIRE PROVIDED WITH ACRYLIC OR POLYCARBONATE LENSES**



**BALLASTS ARE H.P.F. / C.W.A. AUTOTRANSFORMER, -20° STARTING TEMPERATURE**

METAL HALIDE	HIGH PRESSURE SODIUM	MERCURY VAPOR	INC.	FOR FLUOR. LAMPS CONSULT FACTORY
50W.	50W.	50W.	TO	
70W.	70W.	75W.	200W.	
100W.	100W.	100W.		
175W.	150W.	175W.		
250W.	250W.	250W.		



**STANDARD PANELS:**  
CLEAR PATTERNED ACRYLIC

**OPTIONS:**  
 OPAL SMOOTH ACRYLIC.....WA  
 CLEAR SMOOTH ACRYLIC.....CA  
 OPAL SMOOTH POLYCARBONATE .....WP  
 CLEAR SMOOTH POLYCARBONATE .....CP

**REFLECTOR OPTIONS**  
 (NOT AVAILABLE FOR LCMO)  
 TYPE III (HORIZONTAL LAMP).....HR-III  
 TYPE V (HORIZONTAL LAMP).....HR-V

HOUSE SIDE SHIELD 90°.....HS90°  
 135°.....HS135°  
 180°.....HS180°

PHOTO CELL + VOLTAGE  
 (EXAMPLE: PC120V).....PC+V

SINGLE FUSE (120V., 277V.).....SF

DOUBLE FUSE (208V., 240V., 480V.).....DF

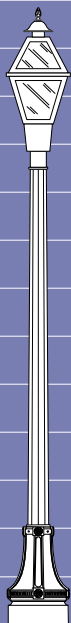
LCM

SCALE: 1/4"=1'-0"

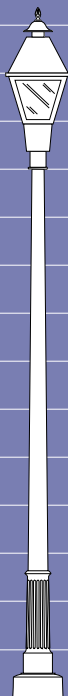
14  
13  
12  
11  
10  
9  
8  
7  
6  
5  
4  
3  
2  
1  
0



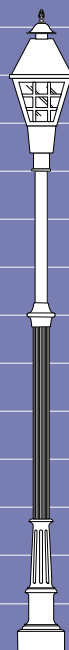
A



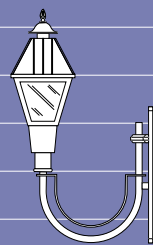
B



C

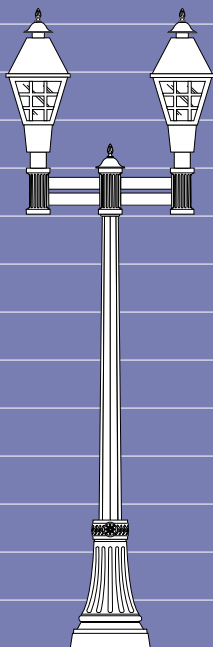


D

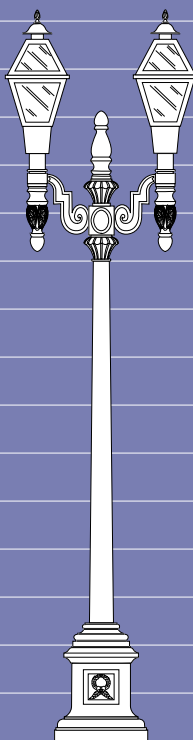


E

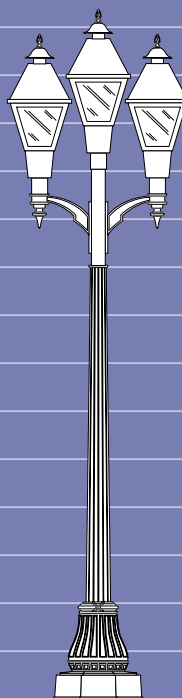
16  
15  
14  
13  
12  
11  
10  
9  
8  
7  
6  
5  
4  
3  
2  
1  
0



F



G



H



I

FT.

- A. 43-1060-12/LCMR-WA/PT/BALLAST/ACCESSORIES/FINISH
- B. 38-1058C-9'-6"/LCMO-CP/PT/BALLAST/ACCESSORIES/FINISH
- C. 21-1035T-11'/LCM-CA/PT/BALLAST/ACCESSORIES/FINISH
- D. 4M-6030-10'/LCMS-WP/PT/BALLAST/ACCESSORIES/FINISH
- E. WS/LCMR/XBM-WM/BALLAST/ACCESSORIES/FINISH

- F. 44-1080C-9'/LCMS-WA/XAV-2-180/BALLAST/ACCESSORIES/FINISH
- G. 30-1046T-10'/LCMO/XAC-2-180/BALLAST/ACCESSORIES/FINISH
- H. 20-1050C-9'/LCM-WP/XAZ-UP-3-180/BALLAST/ACCESSORIES/FINISH
- I. WS/LCM-CP/XBD-WM/BALLAST/ACCESSORIES/FINISH