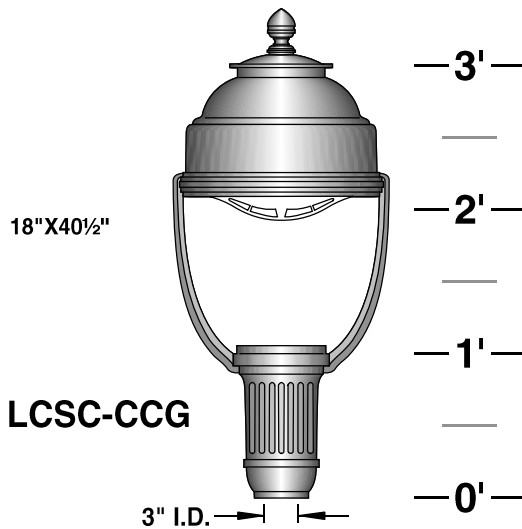
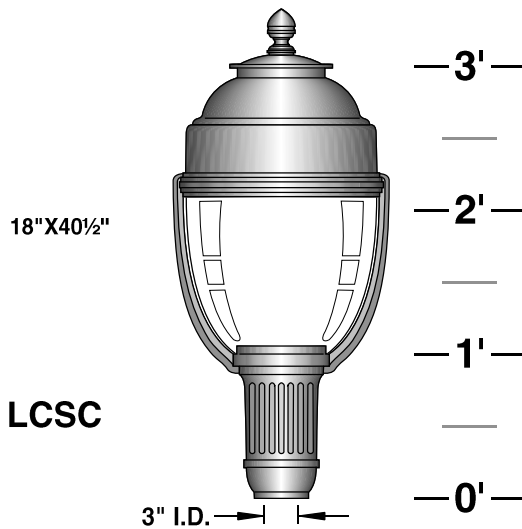


(SPECIFY AS SUFFIX TO LUMINAIRE NO.)

CAST ALUMINUM CONSTRUCTION. LUMINAIRE PROVIDED WITH ACRYLIC, POLYCARBONATE OR CLEAR LENS



BALLASTS ARE H.P.F. / C.W.A. AUTOTRANSFORMER, -20° STARTING TEMPERATURE

METAL HALIDE	HIGH PRESSURE SODIUM	MERCURY VAPOR	FOR FLUOR. LAMPS CONSULT FACTORY
50W.	50W.	50W.	TO
70W.	70W.	75W.	200W.
100W.	100W.	100W.	
175W.	150W.	175W.	
250W.*	250W.*	250W.*	

* 250 W. AVAILABLE IN VERTICAL LAMP ONLY

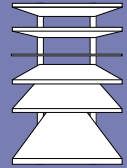


INTERNAL LOUVER



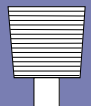
IL

WIDE ANGLE LOUVER SYSTEM



OPT

PRISMATIC GLASS REFRACTOR TYPE III TYPE V



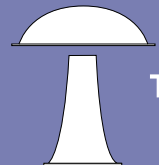
PG-III
PG-V

GLASS CHIMNEY CLEAR OR 3/4 FROSTED



GCC
GCF

TWIN REFLECTOR SYSTEM TYPE V



TR-V

STANDARD DIFFUSER:
OPAL SMOOTH ACRYLIC

OPTIONS:

- CLEAR SMOOTH ACRYLIC.....CA
- CLEAR TEXTURED ACRYLIC.....CT
- OPAL SMOOTH POLYCARBONATE.....WP
- CLEAR TEMPERED CONVEX GLASS LENS.....CCG
- CLEAR TEMPERED GLASS LENS.....CG

REFLECTOR OPTIONS

- TYPE III (HORIZONTAL LAMP).....HR-III
- TYPE III (VERTICAL LAMP).....VR-III
- TYPE V-SQ (HORIZONTAL LAMP)...HR-V-SQ
- TYPE V-SQ (VERTICAL LAMP).....VR-V-SQ

- HOUSE SIDE SHIELD 90°.....HS90°
- 135°.....HS135°
- 180°.....HS180°

PHOTO CELL + VOLTAGE (EXAMPLE: PC120V).....PC+V

SINGLE FUSE (120V., 277V.).....SF

DOUBLE FUSE (208V., 240V., 480V.).....DF



SCALE: 1/4"=1'-0"

14
13
12
11
10
9
8
7
6
5
4
3
2
1
0



A



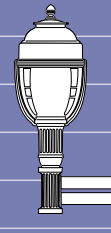
B



C

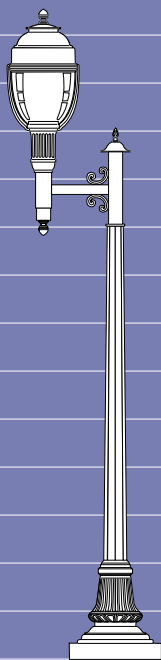


D

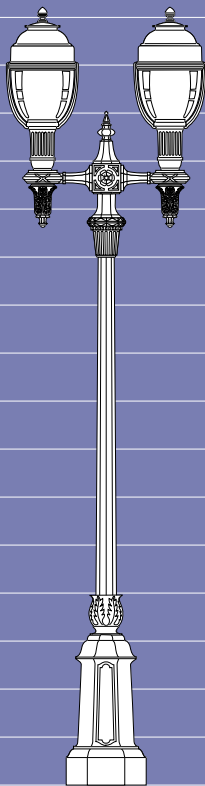


E

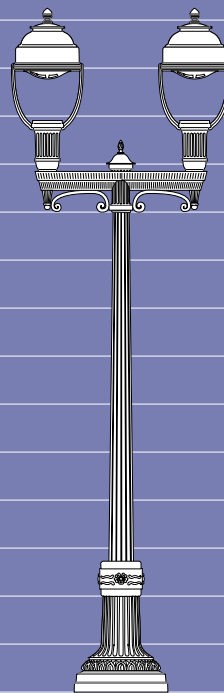
16
15
14
13
12
11
10
9
8
7
6
5
4
3
2
1
0



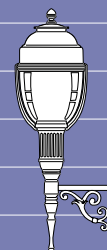
F



G



H



I

FT.

- A. 3-1035T-12/LCSC/PT/BALLAST/ACCESSORIES/FINISH
- B. 75-1046T-10/LCSC-CA/PT/BALLAST/ACCESSORIES/FINISH
- C. 10-4030-11/LCSC-WP/PT/BALLAST/ACCESSORIES/FINISH
- D. 17-1060-9/LCSC-CG/PT/BALLAST/ACCESSORIES/FINISH
- E. WS/LCSC-CT/XAV-WM/BALLAST/ACCESSORIES/FINISH

- F. 34-1080C-9/LCSC/XAJ-1/BALLAST/ACCESSORIES/FINISH
- G. 1-1058C-11/LCSC-WP/XAP-2-180/BALLAST/ACCESSORIES/FINISH
- H. 28-1050C-10/LCSC-CG/XAD-2-180/BALLAST/ACCESSORIES/FINISH
- I. WS/LCSC-CA/XBD-WM/BALLAST/ACCESSORIES/FINISH