

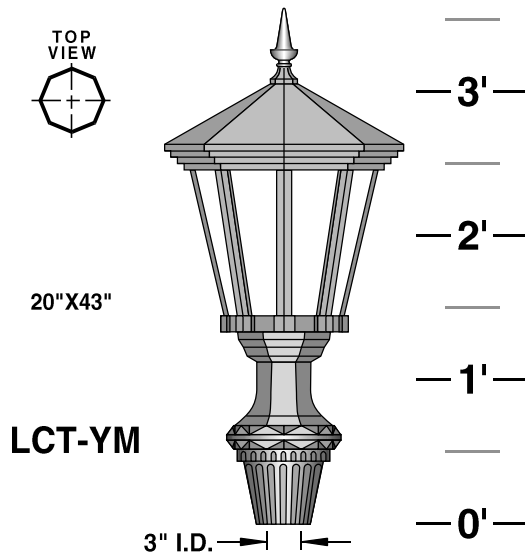
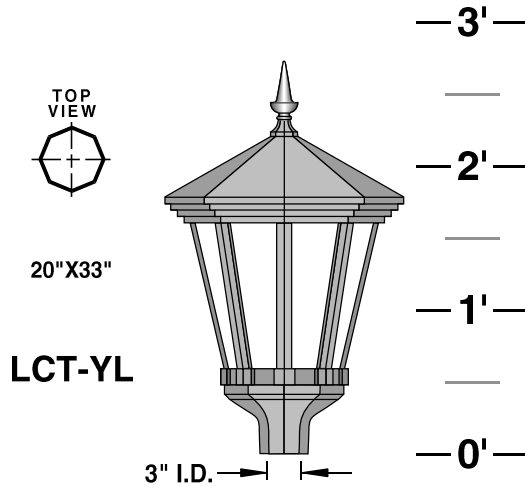


LUMINAIRE ACCESSORIES

(SPECIFY AS SUFFIX TO LUMINAIRE NO.)

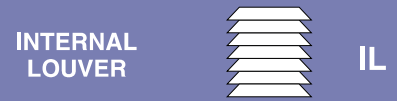
LCT

CAST ALUMINUM CONSTRUCTION. LUMINAIRE PROVIDED WITH ACRYLIC OR POLYCARBONATE LENSES



BALLASTS ARE H.P.F. / C.W.A. AUTOTRANSFORMER, -20° STARTING TEMPERATURE

METAL HALIDE	HIGH PRESSURE SODIUM	MERCURY VAPOR	FOR FLUOR. LAMPS CONSULT FACTORY
50W.	50W.	50W.	INC. TO 200W.
70W.	70W.	75W.	
100W.	100W.	100W.	
175W.	150W.	175W.	



STANDARD PANELS:
CLEAR PATTERNED ACRYLIC

OPTIONS:
 OPAL SMOOTH ACRYLIC.....WA
 CLEAR SMOOTH ACRYLIC.....CA
 OPAL SMOOTH POLYCARBONATEWP
 CLEAR SMOOTH POLYCARBONATECP

REFLECTOR OPTIONS
 TYPE III (HORIZONTAL LAMP).....HR-III
 TYPE V (HORIZONTAL LAMP).....HR-V

HOUSE SIDE SHIELD 90°.....HS90°
 135°.....HS135°
 180°.....HS180°

PHOTO CELL + VOLTAGE
 (EXAMPLE: PC120V).....PC+V

SINGLE FUSE (120V., 277V.).....SF

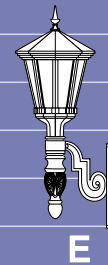
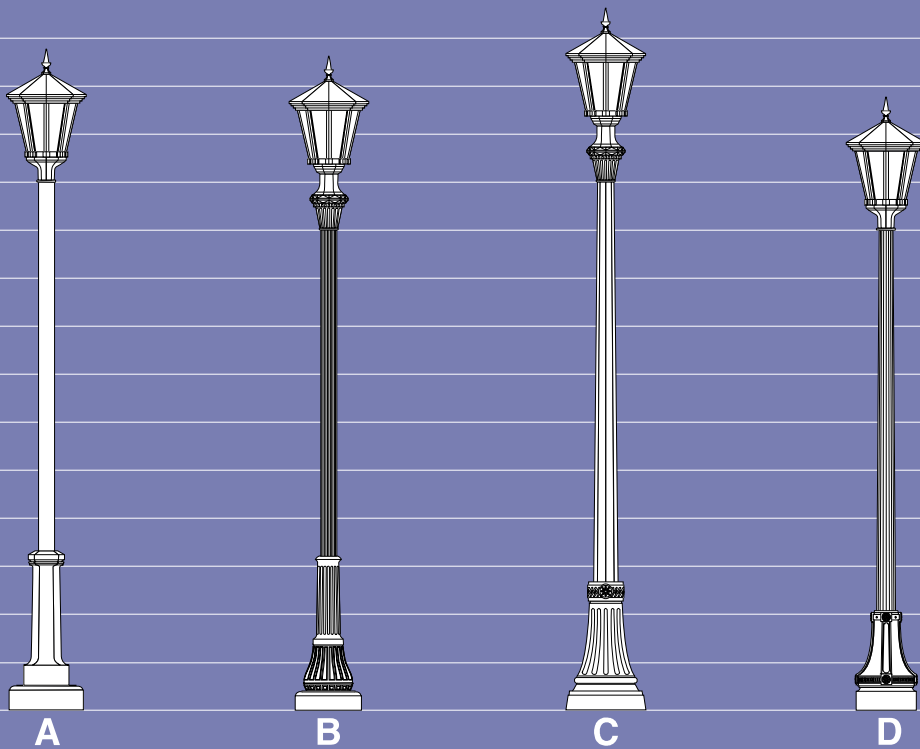
DOUBLE FUSE (208V., 240V., 480V.).....DF



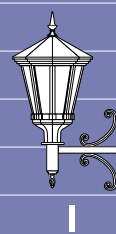
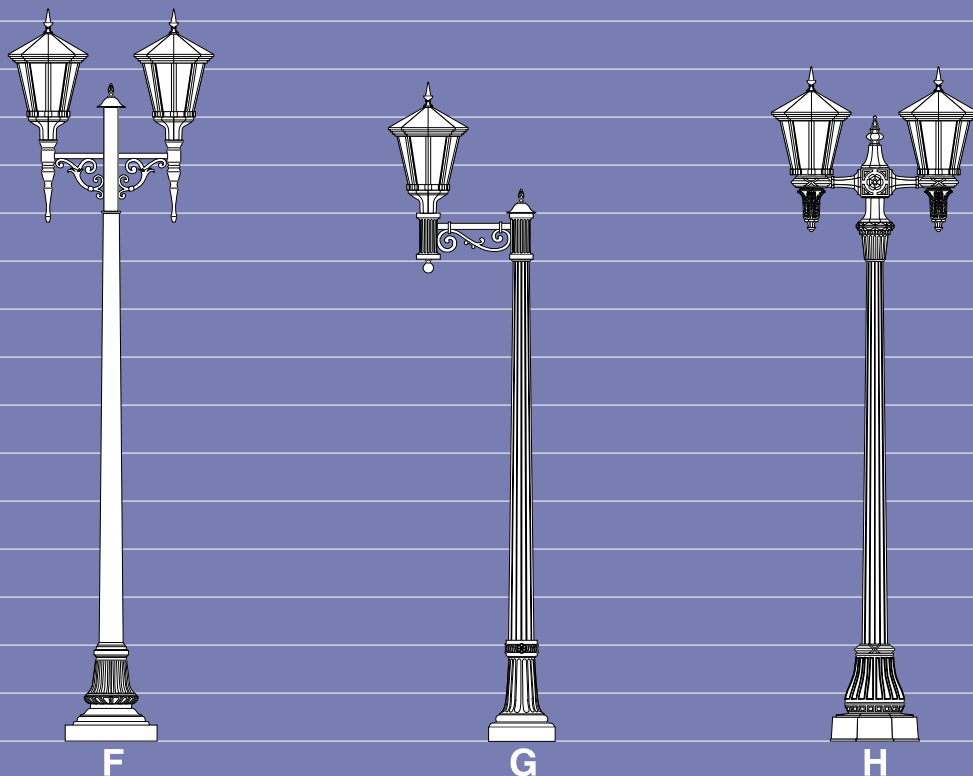
sun valley
LIGHTING

660 WEST AVENUE O, PALMDALE, CA 93551
 (661) 233-2000
 FAX (661) 233-2001
 www.sunvalleylighting.com

14
13
12
11
10
9
8
7
6
5
4
3
2
1
0



16
15
14
13
12
11
10
9
8
7
6
5
4
3
2
1
0



FT.

- A. 11-1040-11/LCT-YL-CP/PT/BALLAST/ACCESSORIES/FINISH
- B. 8-1060-10/LCT-YM-CA/PT/BALLAST/ACCESSORIES/FINISH
- C. 44-1080C-11/LCT-YM-WP/PT/BALLAST/ACCESSORIES/FINISH
- D. 38-1030C-10/LCT-YL-WA/PT/BALLAST/ACCESSORIES/FINISH
- E. WS/LCT-YL-WP/XAC-WM/BALLAST/ACCESSORIES/FINISH

- F. 34-1046T-11/LCT-YL-CA/XBD-2-180/BALLAST/ACCESSORIES/FINISH
- G. 7-1058C-10/LCT-YL/XAY-1/BALLAST/ACCESSORIES/FINISH
- H. 20-1050C-10/LCTSP-WA/XAP-2-180/BALLAST/ACCESSORIES/FINISH
- I. WS/LCT-YL-WP/XAE-WM/BALLAST/ACCESSORIES/FINISH