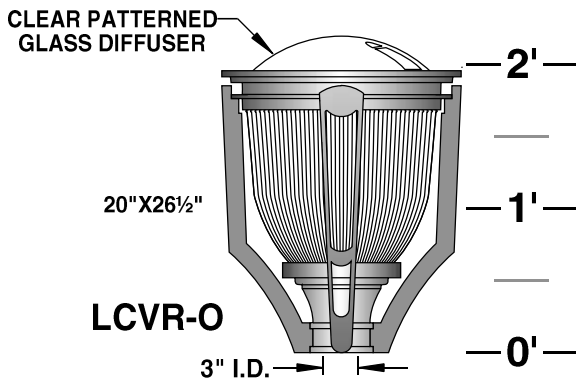
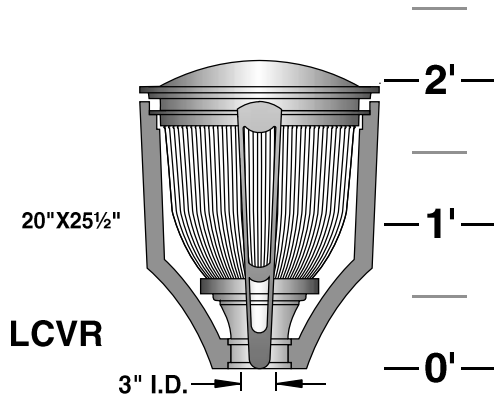


(SPECIFY AS SUFFIX TO LUMINAIRE NO.)

PRISMATIC POLYCARBONATE REFRACTOR PROVIDED WITH DECORATIVE CAST ALUMINUM ENCLOSURE.



BALLASTS ARE H.P.F. / C.W.A. AUTOTRANSFORMER, -20° STARTING TEMPERATURE

METAL HALIDE	HIGH PRESSURE SODIUM	MERCURY VAPOR	FOR FLUOR. LAMPS CONSULT FACTORY
50W.	50W.	50W.	INC. TO 200W.
70W.	70W.	75W.	
100W.	100W.	100W.	
175W.	150W.	175W.	
250W.	250W.	250W.	



BRASS FINIAL



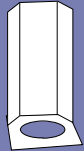
BF

CAST FINIAL



CF

HOUSE SIDE SHIELD
90°, 135°, 180°



HS90°
HS135°
HS180°

- STANDARD REFRACTOR:**
 CLEAR PRISMATIC POLYCARBONATE.....CP
 TYPE III LIGHT DISTRIBUTION.....III
 TYPE V LIGHT DISTRIBUTION.....V

- OPTIONS:**
 CLEAR PRISMATIC ACRYLIC.....CA
 TYPE III LIGHT DISTRIBUTION.....III
 TYPE V LIGHT DISTRIBUTION.....V

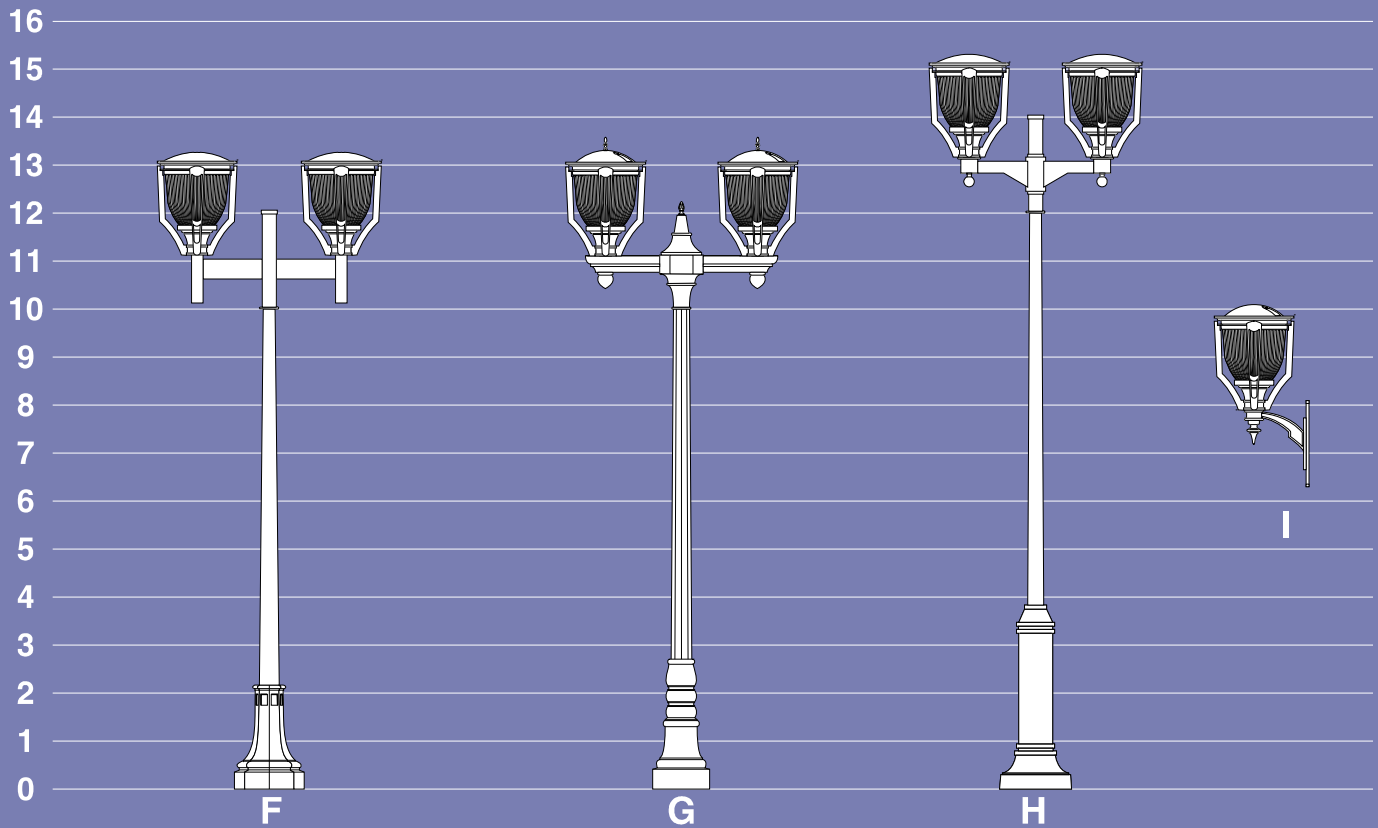
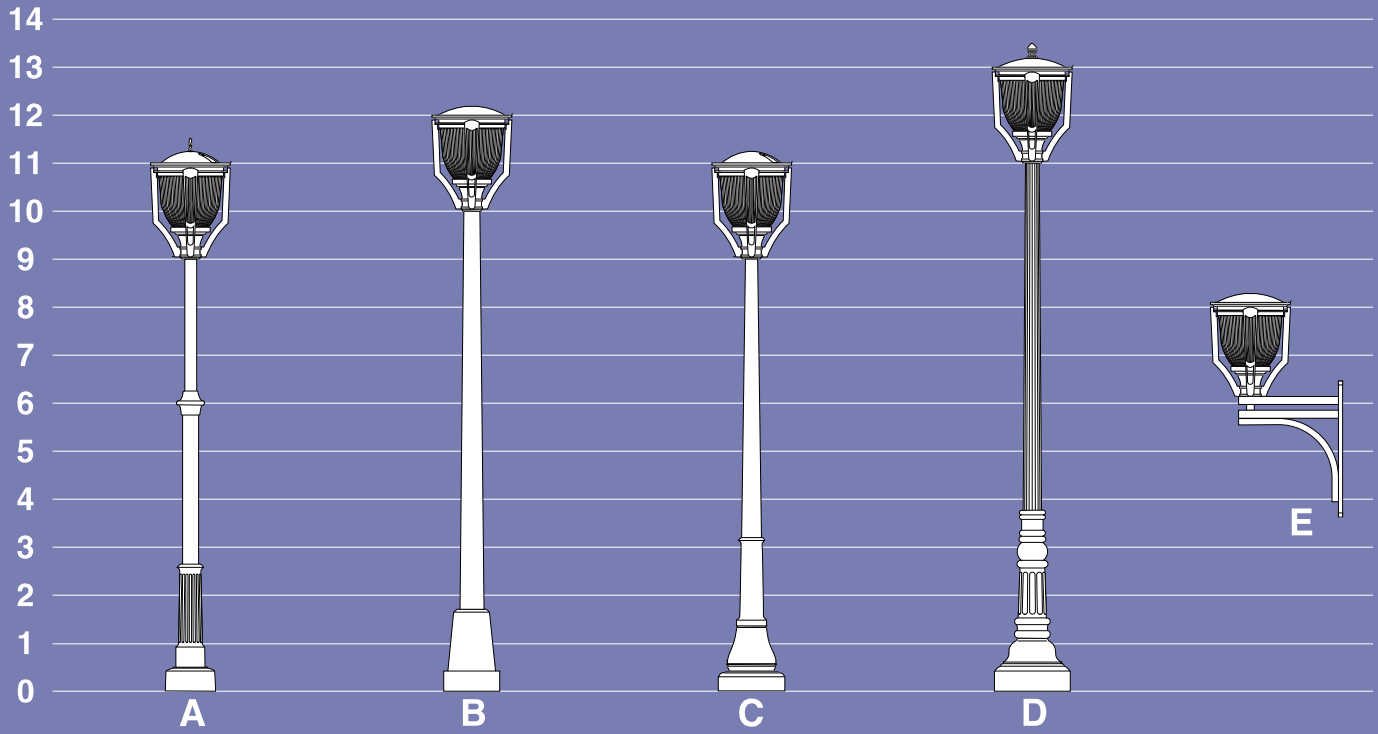
PHOTO CELL + VOLTAGE
(EXAMPLE: PC120V).....PC+V

SINGLE FUSE (120V., 277V.).....SF

DOUBLE FUSE (208V., 240V., 480V.).....DF



SCALE: 1/4"=1'-0"



- A. 21-4030-9'/LCVR-O-CA-V-BF/PT/BALLAST/ACCESSORIES/FINISH
- B. 25-1046T-10'/LCVR-CP-III/PT/BALLAST/ACCESSORIES/FINISH
- C. 85-1035T-9'/LCVR-O-CP-III/PT/BALLAST/ACCESSORIES/FINISH
- D. 12-1030C-11'/LCVR-CA-V-CF/PT/BALLAST/ACCESSORIES/FINISH
- E. WS/LCVR-CA-III/XBT-WM/BALLAST/ACCESSORIES/FINISH

- F. 26-1035T-10'/LCVR-CP-V/XAO-2-180/BALLAST/ACCESSORIES/FINISH
- G. 40-1058C-10'/LCVR-O-CA-III-BF/XBW-2-180/BALLAST/ACCESSORIES/FINISH
- H. 43-1030T-12'/LCVR-CA-V/XBY-2-180/BALLAST/ACCESSORIES/FINISH
- I. WS/LCVR-O-CP-III/XAZ-UP-WM/BALLAST/ACCESSORIES/FINISH