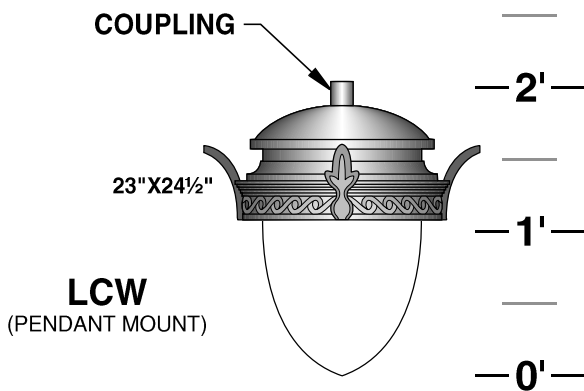
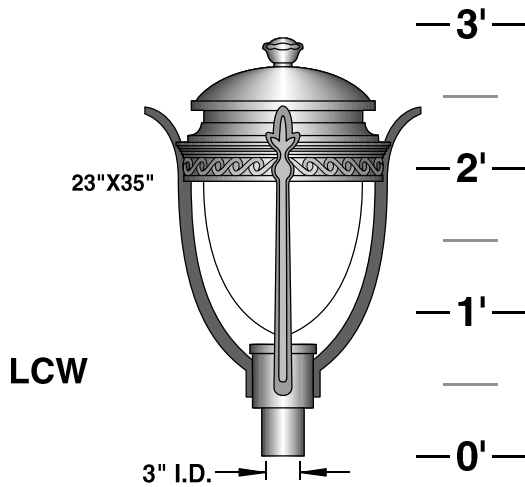


CAST ALUMINUM CONSTRUCTION. LUMINAIRE PROVIDED WITH PATTERNED POLYCARBONATE DIFFUSER



BALLASTS ARE H.P.F. / C.W.A. AUTOTRANSFORMER, -20° STARTING TEMPERATURE

METAL HALIDE	HIGH PRESSURE SODIUM	MERCURY VAPOR	INC.	FOR FLUOR. LAMPS CONSULT FACTORY
50W.	50W.	50W.	TO	
70W.	70W.	75W.	200W.	
100W.	100W.	100W.		
175W.	150W.	175W.		

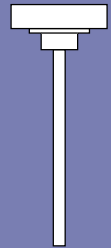


PRISMATIC GLASS REFRACTOR
TYPE III
TYPE V



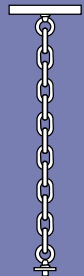
PG-III
PG-V

3/4" IPS STEM MOUNT AND SWIVEL CANOPY
(6'-0" MAX.)



SM

CHAIN MOUNTED
(4'-0" MAX.)



CM

**STANDARD DIFFUSER:
CLEAR POLYCARBONATE**

OPTIONS:

OPAL POLYCARBONATE.....WP

HOUSE SIDE SHIELD 90°.....HS90°
135°.....HS135°
180°.....HS180°

PHOTO CELL + VOLTAGE
(EXAMPLE: PC120V).....PC+V

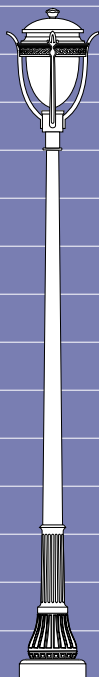
SINGLE FUSE (120V., 277V.).....SF

DOUBLE FUSE (208V., 240V., 480V.).....DF

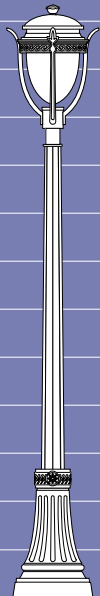
LCW

SCALE: 1/4"=1'-0"

14
13
12
11
10
9
8
7
6
5
4
3
2
1
0



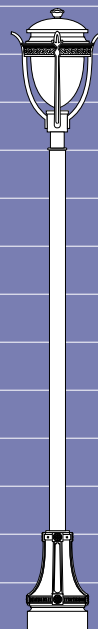
A



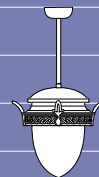
B



C

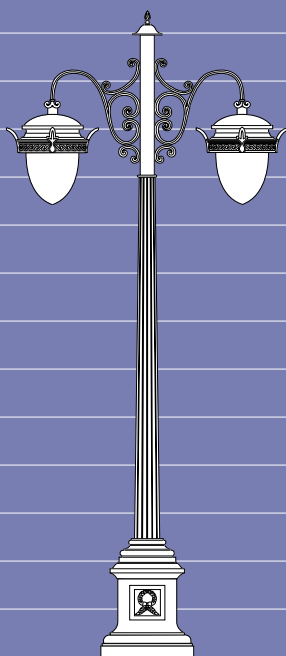


D

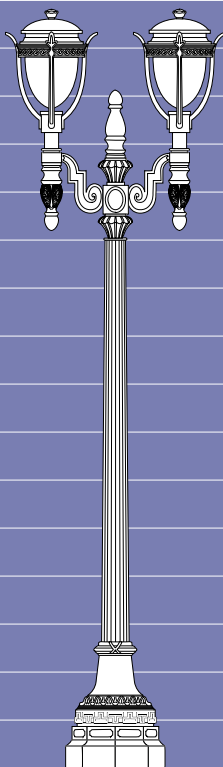


E

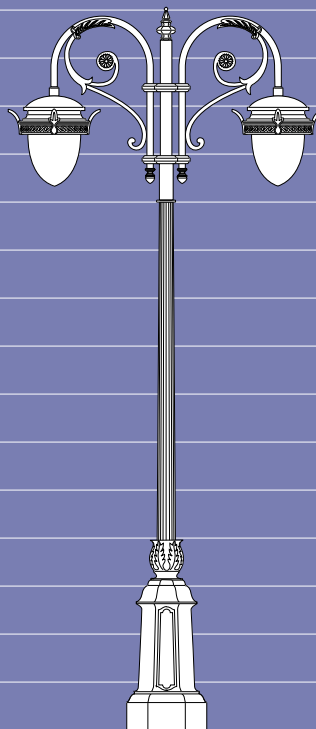
16
15
14
13
12
11
10
9
8
7
6
5
4
3
2
1
0



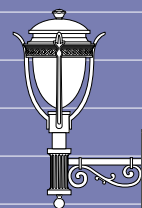
F



G



H



I

FT.

- A. 8-1035T-11/LCW-WP/PT/BALLAST/ACCESSORIES/FINISH
- B. 44-1080C-9'-6"/LCW/PT/BALLAST/ACCESSORIES/FINISH
- C. 42-1060-11'/LCW-WP/PT/BALLAST/ACCESSORIES/FINISH
- D. 38-1040-10'/LCW/PT/BALLAST/ACCESSORIES/FINISH
- E. LCW-WP/SM/BALLAST/ACCESSORIES/FINISH

- F. 30-1075C-10'/LCW-WP/XAN-2-180/BALLAST/ACCESSORIES/FINISH
- G. 27-1050C-11'/LCW/XAC-2-180/BALLAST/ACCESSORIES/FINISH
- H. 1-1030C-11'/LCW-WP/XPM-2-180/BALLAST/ACCESSORIES/FINISH
- I. WS/LCW/XAY-WM/BALLAST/ACCESSORIES/FINISH

LC-8



sun valley
LIGHTING

660 WEST AVENUE O, PALMDALE, CA 93551
(661) 233-2000
FAX (661) 233-2001
www.sunvalleylighting.com