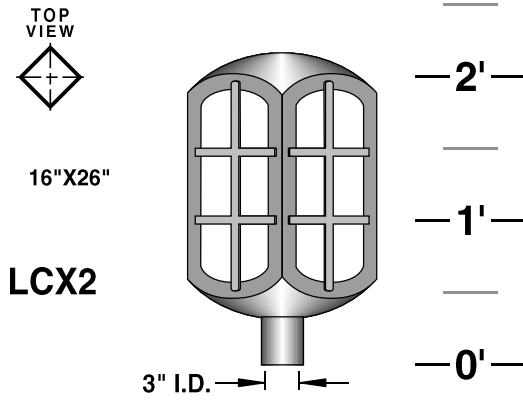
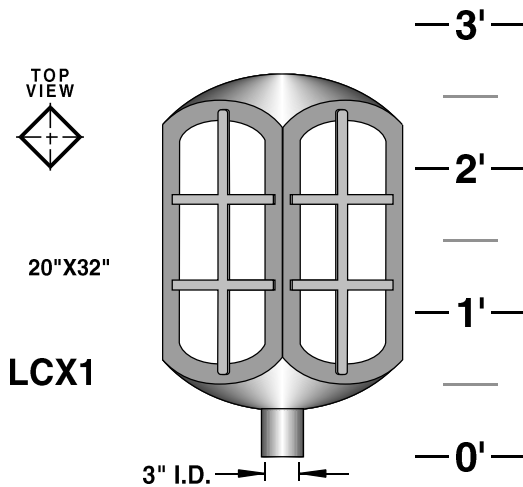


(SPECIFY AS SUFFIX TO LUMINAIRE NO.)

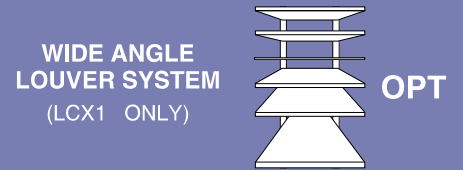
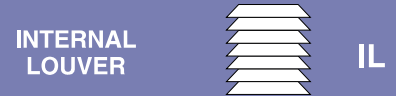
CAST ALUMINUM CONSTRUCTION. LUMINAIRE PROVIDED WITH ACRYLIC OR POLYCARBONATE LENSES



BALLASTS ARE H.P.F. / C.W.A. AUTOTRANSFORMER, -20° STARTING TEMPERATURE

LCX1	LCX2	METAL HALIDE	HIGH PRESSURE SODIUM	MERCURY VAPOR	FOR FLUOR. LAMPS CONSULT FACTORY
		50W.	50W.	50W.	INC. TO 200W.
	70W.	70W.	75W.		
	100W.	100W.	100W.		
	175W.	150W.	175W.		
	250W.	250W.	250W.		

U.L. Listed for wet location



STANDARD PANELS:
CLEAR PATTERNED ACRYLIC

OPTIONS:
 OPAL SMOOTH ACRYLIC.....WA
 CLEAR SMOOTH ACRYLIC.....CA
 OPAL SMOOTH POLYCARBONATEWP
 CLEAR SMOOTH POLYCARBONATE.....CP

HOUSE SIDE SHIELD 90°.....HS90°
 135°.....HS135°
 180°.....HS180°

PHOTO CELL + VOLTAGE (EXAMPLE: PC120V).....PC+V

SINGLE FUSE (120V., 277V.).....SF

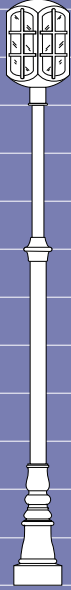
DOUBLE FUSE (208V., 240V., 480V.).....DF

SCALE: 1/4"=1'-0"

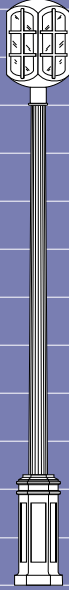
14
13
12
11
10
9
8
7
6
5
4
3
2
1
0



A



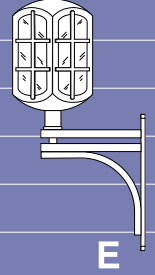
B



C

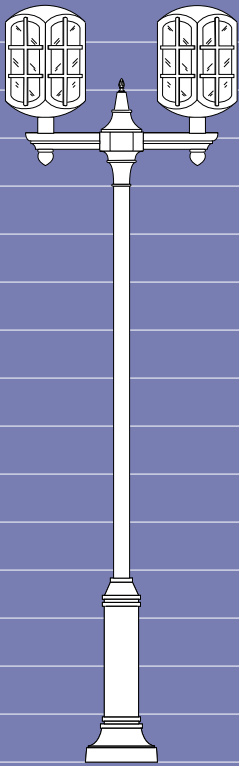


D

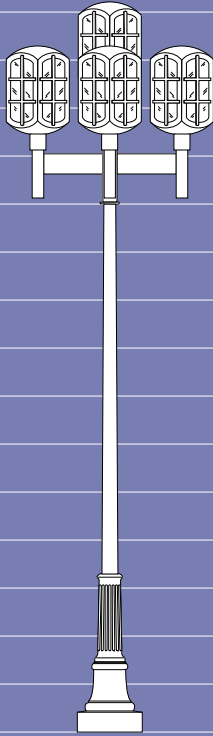


E

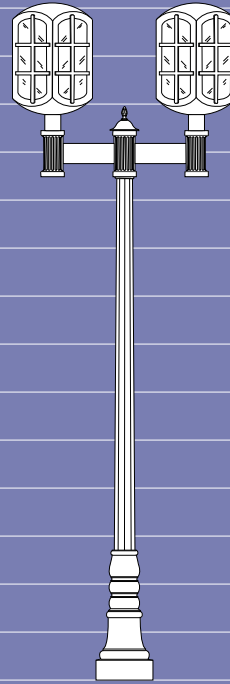
16
15
14
13
12
11
10
9
8
7
6
5
4
3
2
1
0



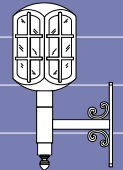
F



G



H



I

FT.

- A. 85-1035T-12/LCX1-WP/PT/BALLAST/ACCESSORIES/FINISH
- B. 24-4030-10/LCX2-CA/PT/BALLAST/ACCESSORIES/FINISH
- C. 33-1030C-10/LCX2-CP/PT/BALLAST/ACCESSORIES/FINISH
- D. 19-7040-11/LCX1/PT/BALLAST/ACCESSORIES/FINISH
- E. WS/LCX1-WP/XBT-WM/BALLAST/ACCESSORIES/FINISH

- F. 43-1040-12/LCX1-WA/XBW-2-180/BALLAST/ACCESSORIES/FINISH
- G. 42-1030T-11/LCX2/XAO-5-90/BALLAST/ACCESSORIES/FINISH
- H. 40-1058C-10'-6"/LCX1-CP/XAM-2-180/BALLAST/ACCESSORIES/FINISH
- I. WS/LCX2-WP/XAJ-WM/BALLAST/ACCESSORIES/FINISH



sun valley
LIGHTING

660 WEST AVENUE O, PALMDALE, CA 93551
(661) 233-2000
FAX (661) 233-2001
www.sunvalleylighting.com