

EXPEDITED AVAILABILITY

LUM SERIES-PLED w/ POLE RATED FOR 100MPH SHAFT

S P E C I F I C A T I O N S

FIXTURE HOUSING

Heavy cast low copper aluminum assembly (A360 alloy, <0.4% copper). Housing attaches to pole via a one piece, extruded aluminum arm with centering guides for internal draw bolts. Housing/pole junction is gasketed. All exposed hardware is stainless steel. Internal protected hardware is electro-zinc plated.

ARM MOUNTING

One piece heavy wall extruded aluminum with internal draw bolt guides. Arm is secured to housing and pole with stainless steel draw bolts.

PLED™ OPTICS

Emitters (LED's) are arrayed on a metal core PCB panel with each emitter located on a copper thermal transfer pad and enclosed by an LED refractor. A micro-reflector inside the refractor re-directs the house side emitter output towards the street side and functions as a house side shielding element. Refractors are injection molded H12 acrylic. Each LED refractor is sealed to the PCB over an emitter and all refractors are retained by an aluminum frame. Any one Panel, or group of Panels in a luminaire, have the same optical pattern. LED refractors produce **Type III** and **Type IV** site/area distributions. Panels are field replaceable and field rotatable in 90° increments. LED's are 4000K CCT.

LED DRIVERS

Drivers are UL and cUL recognized mounted on a single plate and factory prewired with quick-disconnect plugs. Constant current driver is electronic and has a power factor of >0.90 and a minimum operating temperature of -40°F. In-line terminal blocks facilitate wiring between the driver and optical arrays. Drivers accept an input of 120-277V, 50/60Hz. (0 - 10V dimmable driver is standard. Driver has a minimum of 3KV internal surge protection.)

POLE SHAFT

4" or 5" square, fabricated from high grade structural steel tube. Shaft conforms to ASTM-A-501 - 68 specifications. Meets or exceeds minimum yield strength of 46,000 p.s.i. Wall thickness 11 Ga. (.120 wall). Reinforced hand hole is furnished with cover, shaft is furnished with ground lug located inside pole on wall opposite hand hole.

BASE PLATE

Fabricated from structural quality hot rolled steel. Meets or exceeds minimum yield strength of 36,000 p.s.i. base telescopes and is circumferentially welded to pole shaft. Slotted bolt holes provide 1" flexibility on either side of bolt circle centerline.

ANCHORAGE

(4) anchor bolts fabricated from hot rolled steel bar, minimum yield strength of 50,000 p.s.i. bolts have "L" bend on one end and are threaded on the other end. Bolts are fully galvanized and are furnished with two nuts and two washers.

BASE COVER

Fabricated from heavy gauge quality carbon steel. Two piece cover conceals base.

FINISH (Applies to Luminaire and Pole)

Electrostatically applied TGIC Polyester Powder Coat on substrate prepared with 20 PSI power wash at 140°F. Four step sand blast and iron phosphate pretreatment for protection and paint adhesion. 400°F bake for maximum hardness and durability. Smooth finish is standard.

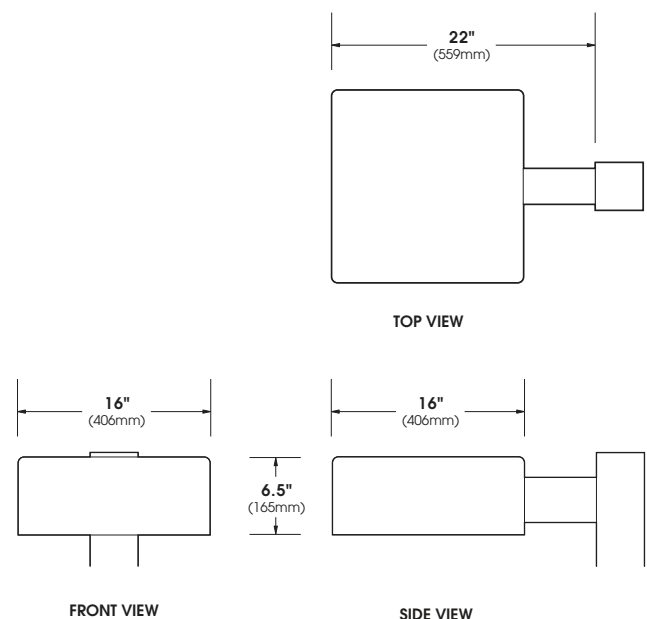
PROJECT NAME: _____

FIXTURE TYPE: _____



LUM PLED

PATENT PENDING



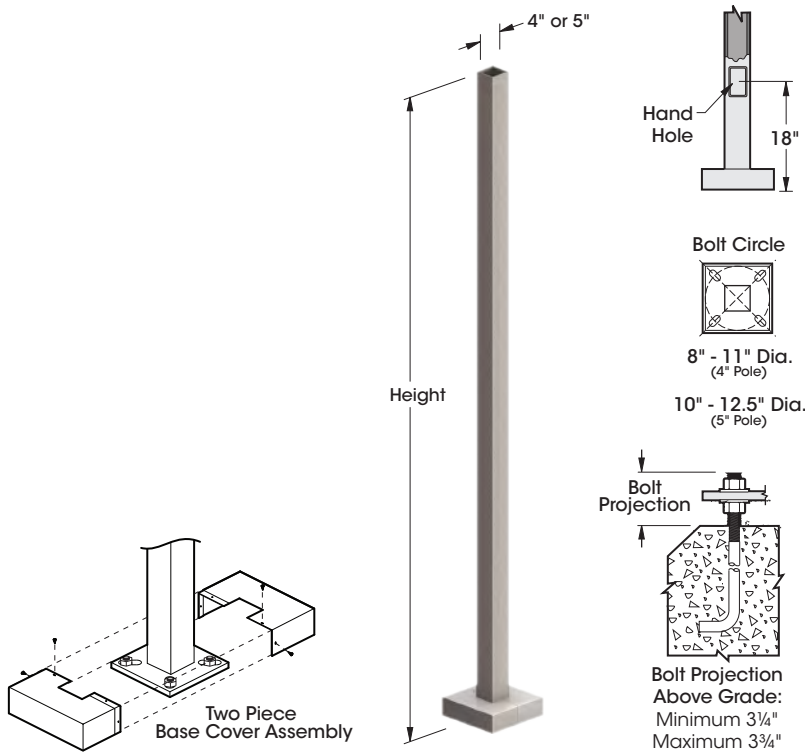
2016020

LUM SERIES - PLED

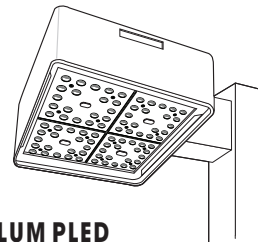
100 MPH PROMOTION

SPECIFICATIONS

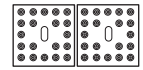
POLE



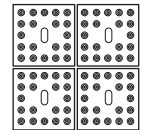
PLED™ MODULES



LUM PLED
E.P.A. = 1.12
Available in:
80 & 40 LED Array



40 LED Array



80 LED Array

No. of LEDs	Drive Current	System Watts	HID Equivalent
40	700mA	91	175
	1050mA	142	200 - 250
80	700mA	184	400

SPEC / ORDERING INFORMATION

POLE	LUMINAIRE/POLE CATALOG #	OPTIONS
<p>15'0"- 4" Sq - 11Ga EQUIVALENT TO 175W HID 40LED @ 700mA (100MPH)</p>	<p>SINGLE SINGLE TWIN 180° TWIN 180°</p>	<p><input type="checkbox"/> SNTS-154-11/1/LUM-LED/4070/PLED-III/DBM <input type="checkbox"/> SNTS-154-11/1/LUM-LED/4070/PLED-IV/DBM <input type="checkbox"/> SNTS-154-11/2/LUM-LED/4070/PLED-III/DBM <input type="checkbox"/> SNTS-154-11/2/LUM-LED/4070/PLED-IV/DBM</p>
<p>20'0"- 4" Sq - 11Ga EQUIVALENT TO 250W HID 40LED @ 1050mA (100MPH)</p>	<p>SINGLE SINGLE TWIN 180° TWIN 180°</p>	<p><input type="checkbox"/> SNTS-204-11/1/LUM-LED/4010/PLED-III/DBM <input type="checkbox"/> SNTS-204-11/1/LUM-LED/4010/PLED-IV/DBM <input type="checkbox"/> SNTS-204-11/2/LUM-LED/4010/PLED-III/DBM <input type="checkbox"/> SNTS-204-11/2/LUM-LED/4010/PLED-IV/DBM</p>
<p>20'0"- 4" Sq - 11Ga EQUIVALENT TO 400W HID 80LED @ 700mA (100MPH)</p>	<p>SINGLE TWIN 180° SINGLE TWIN 180°</p>	<p><input type="checkbox"/> SNTS-204-11/1/LUM-LED/8070/PLED-III/DBM <input type="checkbox"/> SNTS-204-11/2/LUM-LED/8070/PLED-III/DBM <input type="checkbox"/> SNTS-204-11/1/LUM-LED/8070/PLED-IV/DBM <input type="checkbox"/> SNTS-204-11/2/LUM-LED/8070/PLED-IV/DBM</p>
<p>25'0"- 4" Sq - 11Ga EQUIVALENT TO 400W HID 80LED @ 700mA (100MPH)</p>	<p>SINGLE SINGLE TWIN 180° TWIN 180°</p>	<p><input type="checkbox"/> SNTS-254-11/1/LUM-LED/8070/PLED-III/DBM <input type="checkbox"/> SNTS-254-11/1/LUM-LED/8070/PLED-IV/DBM <input type="checkbox"/> SNTS-254-11/2/LUM-LED/8070/PLED-III/DBM <input type="checkbox"/> SNTS-254-11/2/LUM-LED/8070/PLED-IV/DBM</p>
<p>30'0"- 5" Sq - 11Ga EQUIVALENT TO 400W HID 80LED @ 700mA (100MPH)</p>	<p>SINGLE SINGLE TWIN 180° TWIN 180°</p>	<p><input type="checkbox"/> SNTS-305-11/1/LUM-LED/8070/PLED-III/DBM <input type="checkbox"/> SNTS-305-11/1/LUM-LED/8070/PLED-IV/DBM <input type="checkbox"/> SNTS-305-11/2/LUM-LED/8070/PLED-III/DBM <input type="checkbox"/> SNTS-305-11/2/LUM-LED/8070/PLED-IV/DBM</p>

- SURGE PROTECTOR **SP**
- HOUSE SIDE SHIELD **HS-PLED**
- UNIVERSAL POLE ADAPTOR **UPA**

LUM SERIES - PLED LAMP/ELECTRICAL GUIDE - 100MPH PROMOTION

LED COUNT	SOURCE TYPE	SOURCE	INITIAL LUMENS - 4000K	INITIAL LUMENS - 3000K	INITIAL LUMENS - 5000K	L70 GREATER THAN (HR)	STARTING TEMP.	SYSTEM WATTS	VOLTS	MAX INPUT AMPS
40	LED	40 PLED® Optical Module - 700mA	8,425 - 9,067	7,376 - 7,938	8,627 - 9,285	60,000+	-20°F	91	120 277	0.76 0.33
40	LED	40 PLED® Optical Module - 1050mA	10,956 - 11,726	9,592 - 10,324	11,219 - 12,075	60,000+	-20°F	142	120 277	1.19 0.52
80	LED	80 PLED® Optical Module - 700mA	16,851 - 18,139	14,752 - 15,877	17,254 - 18,570	60,000+	-20°F	184	120 277	1.54 0.67

NOTES:

1. Max Input Amps is the highest of starting, operating, or open circuit currents
2. Lumen values for LED Modules vary according to the distribution type
3. System Watts includes the source watts and all driver components.
4. Fuse value should be sufficient to protect all wiring components. For electronic driver and LED component protection, use 10KV - 20KV surge suppressors.
5. L70(9K) - TM-21 6x rule applied

WARNING: All fixtures must be installed in accordance with local codes or the National Electrical Code. Failure to do so may result in serious personal injury.

EXPEDITED AVAILABILITY

LUM SERIES-PLED

w/ POLE RATED FOR 140MPH SHAFT

S P E C I F I C A T I O N S

FIXTURE HOUSING

Heavy cast low copper aluminum assembly (A360 alloy, <0.4% copper). Housing attaches to pole via a one piece, extruded aluminum arm with centering guides for internal draw bolts. Housing/pole junction is gasketed. All exposed hardware is stainless steel. Internal protected hardware is electro-zinc plated.

ARM MOUNTING

One piece heavy wall extruded aluminum with internal draw bolt guides. Arm is secured to housing and pole with stainless steel draw bolts.

PLED™ OPTICS

Emitters (LED's) are arrayed on a metal core PCB panel with each emitter located on a copper thermal transfer pad and enclosed by an LED refractor. A micro-reflector inside the refractor re-directs the house side emitter output towards the street side and functions as a house side shielding element. Refractors are injection molded H12 acrylic. Each LED refractor is sealed to the PCB over an emitter and all refractors are retained by an aluminum frame. Any one Panel, or group of Panels in a luminaire, have the same optical pattern. LED refractors produce **Type III** and **Type IV** site/area distributions. Panels are field replaceable and field rotatable in 90° increments. LED's are 4000K CCT.

LED DRIVERS

Drivers are UL and cUL recognized mounted on a single plate and factory prewired with quick-disconnect plugs. Constant current driver is electronic and has a power factor of >0.90 and a minimum operating temperature of -40°F. In-line terminal blocks facilitate wiring between the driver and optical arrays. Drivers accept an input of 120-277V, 50/60Hz. (0 - 10V dimmable driver is standard. Driver has a minimum of 3KV internal surge protection.)

POLE SHAFT

4" square, fabricated from high grade structural steel tube. Shaft conforms to ASTM-A-501 - 68 specifications. Meets or exceeds minimum yield strength of 46,000 p.s.i. Wall thickness 7 GA. (.180 wall) or 11 Ga. (.120 wall). Reinforced hand hole is furnished with cover, shaft is furnished with ground lug located inside pole on wall opposite hand hole.

BASE PLATE

Fabricated from structural quality hot rolled steel. Meets or exceeds minimum yield strength of 36,000 p.s.i. base telescopes and is circumferentially welded to pole shaft. Slotted bolt holes provide 1" flexibility on either side of bolt circle centerline.

ANCHORAGE

(4) anchor bolts fabricated from hot rolled steel bar, minimum yield strength of 50,000 p.s.i. bolts have "L" bend on one end and are threaded on the other end. Bolts are fully galvanized and are furnished with two nuts and two washers.

BASE COVER

Fabricated from heavy gauge quality carbon steel. Two piece cover conceals base.

FINISH (Applies to Luminaire and Pole)

Electrostatically applied TGIC Polyester Powder Coat on substrate prepared with 20 PSI power wash at 140°F. Four step sand blast and iron phosphate pretreatment for protection and paint adhesion. 400°F bake for maximum hardness and durability. Smooth finish is standard.

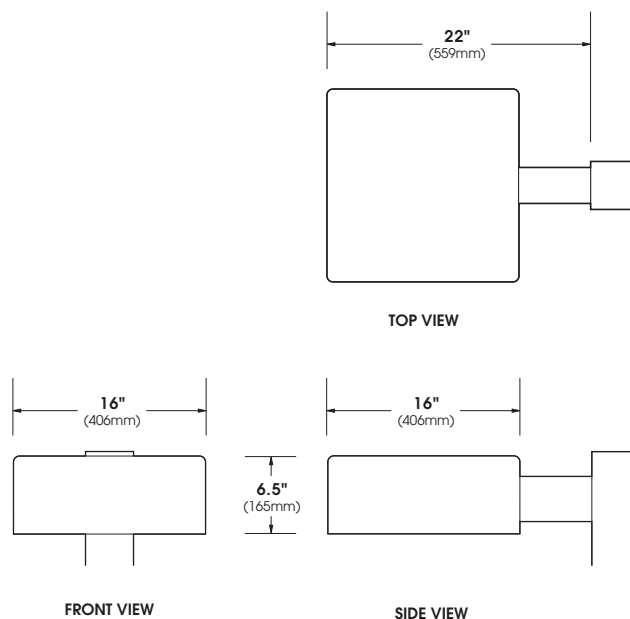
PROJECT NAME: _____

FIXTURE TYPE: _____



LUM PLED

PATENT PENDING



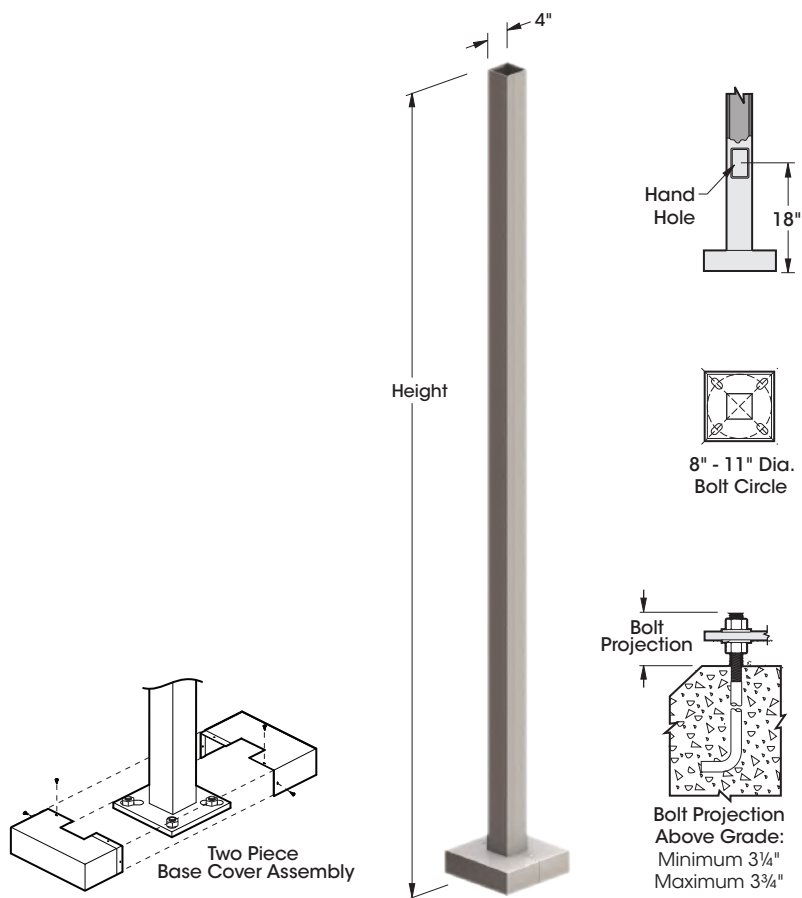
2016020

LUM SERIES - PLED

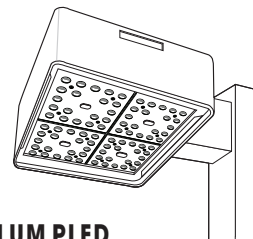
140 MPH PROMOTION

SPECIFICATIONS

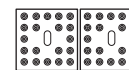
POLE



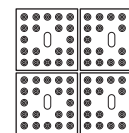
PLED™ MODULES



LUM PLED
E.P.A. = 1.12
Available in:
80 & 40 LED Array



40 LED Array



80 LED Array

No. of LEDs	Drive Current	System Watts	HID Equivalent
40	700mA	91	175
	1050mA	142	200 - 250
80	700mA	184	400

SPEC / ORDERING INFORMATION

POLE		LUMINAIRE/POLE CATALOG #	OPTIONS
15'0"- 4" Sq - 11Ga EQUIVALENT TO 175W HID 40LED @ 700mA (140MPH)	SINGLE	<input type="checkbox"/> SNTS-154-11/1/LUM-LED/4070/PLED-III/DBM	<input type="checkbox"/> SURGE PROTECTOR SP <input type="checkbox"/> HOUSE SIDE SHIELD HS-PLED <input type="checkbox"/> UNIVERSAL POLE ADAPTOR UPA
	SINGLE	<input type="checkbox"/> SNTS-154-11/1/LUM-LED/4070/PLED-IV/DBM	
	TWIN 180°	<input type="checkbox"/> SNTS-154-11/2/LUM-LED/4070/PLED-III/DBM	
	TWIN 180°	<input type="checkbox"/> SNTS-154-11/2/LUM-LED/4070/PLED-IV/DBM	
20'0"- 4" Sq - 7Ga EQUIVALENT TO 250W HID 40LED @ 1050mA (140MPH)	SINGLE	<input type="checkbox"/> SNTS-204-7/1/LUM-LED/4010/PLED-III/DBM	
	SINGLE	<input type="checkbox"/> SNTS-204-7/1/LUM-LED/4010/PLED-IV/DBM	
TWIN 180°	<input type="checkbox"/> SNTS-204-7/2/LUM-LED/4010/PLED-III/DBM		
TWIN 180°	<input type="checkbox"/> SNTS-204-7/2/LUM-LED/4010/PLED-IV/DBM		
20'0"- 4" Sq - 7Ga EQUIVALENT TO 400W HID 80LED @ 700mA (140MPH)	SINGLE	<input type="checkbox"/> SNTS-204-7/1/LUM-LED/8070/PLED-III/DBM	
	SINGLE	<input type="checkbox"/> SNTS-204-7/2/LUM-LED/8070/PLED-III/DBM	
TWIN 180°	<input type="checkbox"/> SNTS-204-7/1/LUM-LED/8070/PLED-IV/DBM		
TWIN 180°	<input type="checkbox"/> SNTS-204-7/2/LUM-LED/8070/PLED-IV/DBM		
25'0"- 4" Sq - 7Ga EQUIVALENT TO 400W HID 80LED @ 700mA (140MPH)	SINGLE	<input type="checkbox"/> SNTS-254-7/1/LUM-LED/8070/PLED-III/DBM	
	SINGLE	<input type="checkbox"/> SNTS-254-7/1/LUM-LED/8070/PLED-IV/DBM	
TWIN 180°	<input type="checkbox"/> SNTS-254-7/2/LUM-LED/8070/PLED-III/DBM		
TWIN 180°	<input type="checkbox"/> SNTS-254-7/2/LUM-LED/8070/PLED-IV/DBM		

LUM SERIES - PLED LAMP/ELECTRICAL GUIDE - 140MPH PROMOTION

LED COUNT	SOURCE TYPE	SOURCE	INITIAL LUMENS - 4000K	INITIAL LUMENS - 3000K	INITIAL LUMENS - 5000K	L70 GREATER THAN (HR)	STARTING TEMP.	SYSTEM WATTS	VOLTS	MAX INPUT AMPS
40	LED	40 PLED® Optical Module - 700mA	8,425 - 9,067	7,376 - 7,938	8,627 - 9,285	60,000+	-20°F	91	120 277	0.76 0.33
40	LED	40 PLED® Optical Module - 1050mA	10,956 - 11,726	9,592 - 10,324	11,219 - 12,075	60,000+	-20°F	142	120 277	1.19 0.52
80	LED	80 PLED® Optical Module - 700mA	16,851 - 18,139	14,752 - 15,877	17,254 - 18,570	60,000+	-20°F	184	120 277	1.54 0.67

NOTES:

1. Max Input Amps is the highest of starting, operating, or open circuit currents
2. Lumen values for LED Modules vary according to the distribution type
3. System Watts includes the source watts and all driver components.
4. Fuse value should be sufficient to protect all wiring components. For electronic driver and LED component protection, use 10KV - 20KV surge suppressors.
5. L70(9K) - TM-21 6x rule applied

WARNING: All fixtures must be installed in accordance with local codes or the National Electrical Code. Failure to do so may result in serious personal injury.

EXPEDITED AVAILABILITY

LUM SERIES-PLED w/ UNIVERSAL POLE ADAPTOR

S P E C I F I C A T I O N S

HOUSING

Heavy cast low copper aluminum assembly (A360 alloy, <0.4% copper). Housing attaches to pole via a one piece, extruded aluminum arm with centering guides for internal draw bolts. Housing/pole junction is gasketed. All exposed hardware is stainless steel. Internal protected hardware is electro-zinc plated.

ARM MOUNTING

One piece heavy wall extruded aluminum with internal draw bolt guides. Arm is secured to housing and Universal Pole Adaptor with stainless steel draw bolts.

PLED™ OPTICS

Emitters (LED's) are arrayed on a metal core PCB panel with each emitter located on a copper thermal transfer pad and enclosed by an LED refractor. A micro-reflector inside the refractor re-directs the house side emitter output towards the street side and functions as a house side shielding element. Refractors are injection molded H12 acrylic. Each LED refractor is sealed to the PCB over an emitter and all refractors are retained by an aluminum frame. Any one Panel, or group of Panels in a luminaire, have the same optical pattern. LED refractors produce **Type III** and **Type IV** site/area distributions. Panels are field replaceable and field rotatable in 90° increments. LED's are 4000K CCT.

LED DRIVERS

Drivers are UL and cUL recognized mounted on a single plate and factory prewired with quick-disconnect plugs. Constant current driver is electronic and has a power factor of >0.90 and a minimum operating temperature of -40°F. In-line terminal blocks facilitate wiring between the driver and optical arrays. Drivers accept an input of 120-277V, 50/60Hz. (0 - 10V dimmable driver is standard. Driver has a minimum of 3KV internal surge protection.)

UNIVERSAL POLE ADAPTOR

Heavy cast low copper aluminum assembly (A356 alloy <0.2% copper). Hinged door indexes to splice compartment/mounting body, is gasketed, and is secured with 3/8" stainless steel hex head bolts. Suitable for mounting on square or round poles. Top pole mounting bolt is fixed. Bottom pole mounting bolt is infinitely adjustable to accommodate any existing bolt pattern.

FINISH (Applies to Luminaire and Universal Pole Adaptor)

Electrostatically applied TGIC Polyester Powder Coat on substrate prepared with 20 PSI power wash at 140°F. Four step sand blast and iron phosphate pretreatment for protection and paint adhesion. 400°F bake for maximum hardness and durability. Smooth finish is standard.

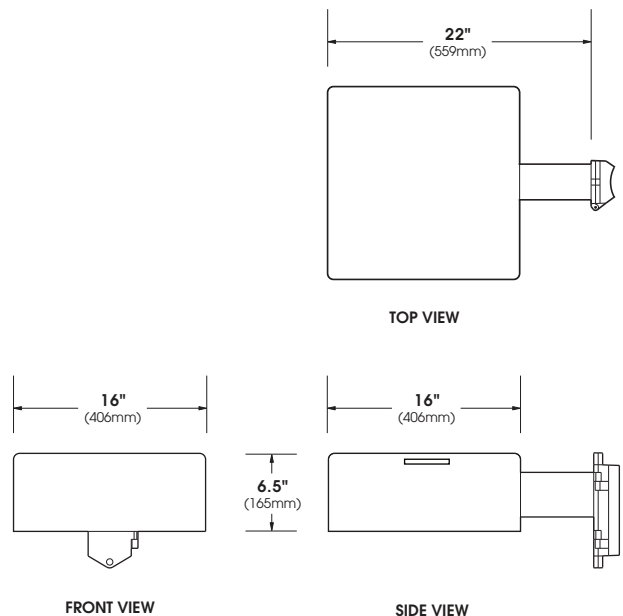
PROJECT NAME: _____

FIXTURE TYPE: _____



LUM PLED

PATENT PENDING



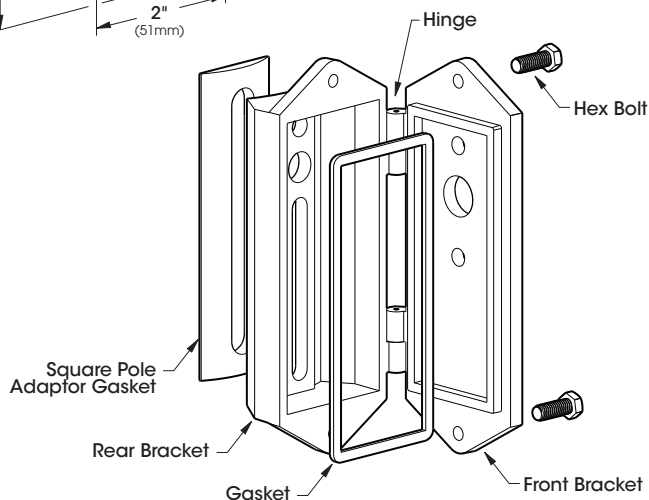
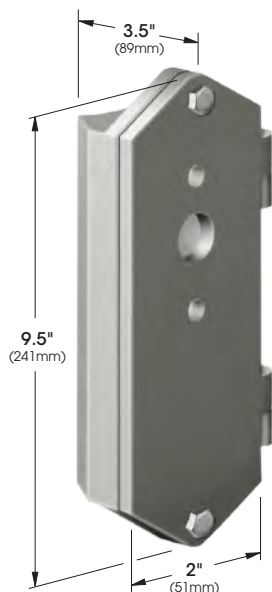
2015251

LUM SERIES - PLED

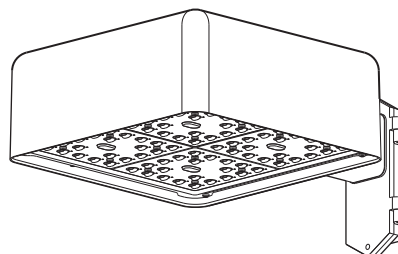
UPA PROMOTION

S P E C I F I C A T I O N S

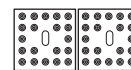
UNIVERSAL POLE ADAPTOR



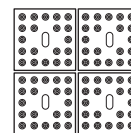
PLED™ MODULES



LUM PLED
E.P.A. = 1.12
Available in:
80 & 40 LED Array



40 LED Array



80 LED Array

No. of LEDs	Drive Current	System Watts	HID Equivalent
40	700mA	91	175
	1050mA	142	200 - 250
80	700mA	184	400

S P E C / O R D E R I N G I N F O R M A T I O N

LUMINAIRE	LUMINAIRE CATALOG #	OPTIONS
40LED @ 700mA EQUIVALENT TO 175W HID	<input type="checkbox"/> UPA-LUM-LED/4070/PLED-III/DBM <input type="checkbox"/> UPA-LUM-LED/4070/PLED-IV/DBM <input type="checkbox"/> UPA-LUM-LED/4070/PLED-III/DBM <input type="checkbox"/> UPA-LUM-LED/4070/PLED-IV/DBM	<input type="checkbox"/> SURGE PROTECTOR SP <input type="checkbox"/> HOUSE SIDE SHIELD HS-PLED
40LED @ 1050mA EQUIVALENT TO 250W HID	<input type="checkbox"/> UPA-LUM-LED/4010/PLED-III/DBM <input type="checkbox"/> UPA-LUM-LED/4010/PLED-IV/DBM <input type="checkbox"/> UPA-LUM-LED/4010/PLED-III/DBM <input type="checkbox"/> UPA-LUM-LED/4010/PLED-IV/DBM	
80LED @ 700mA EQUIVALENT TO 400W HID	<input type="checkbox"/> UPA-LUM-LED/8070/PLED-III/DBM <input type="checkbox"/> UPA-LUM-LED/8070/PLED-IV/DBM <input type="checkbox"/> UPA-LUM-LED/8070/PLED-III/DBM <input type="checkbox"/> UPA-LUM-LED/8070/PLED-IV/DBM	

LUM SERIES - PLED

LAMP/ELECTRICAL GUIDE - UPA PROMOTION

LED COUNT	SOURCE TYPE	SOURCE	INITIAL LUMENS - 4000K	INITIAL LUMENS - 3000K	INITIAL LUMENS - 5000K	L70 GREATER THAN (HR)	STARTING TEMP.	SYSTEM WATTS	VOLTS	MAX INPUT AMPS
40	LED	40 PLED® Optical Module - 700mA	8,425 - 9,067	7,376 - 7,938	8,627 - 9,285	60,000+	-20°F	91	120 277	0.76 0.33
40	LED	40 PLED® Optical Module - 1050mA	10,956 - 11,726	9,592 - 10,324	11,219 - 12,075	60,000+	-20°F	142	120 277	1.19 0.52
80	LED	80 PLED® Optical Module - 700mA	16,851 - 18,139	14,752 - 15,877	17,254 - 18,570	60,000+	-20°F	184	120 277	1.54 0.67

NOTES:

1. Max Input Amps is the highest of starting, operating, or open circuit currents
2. Lumen values for LED Modules vary according to the distribution type
3. System Watts includes the source watts and all driver components.
4. Fuse value should be sufficient to protect all wiring components. For electronic driver and LED component protection, use 10KV - 20KV surge suppressors.
5. L70(9K) - TM-21 6x rule applied

WARNING: All fixtures must be installed in accordance with local codes or the National Electrical Code. Failure to do so may result in serious personal injury.