

H.I.D. AREA LIGHTING

LUMENATOR SERIES-HID

S P E C I F I C A T I O N S

HOUSING

Heavy cast low copper aluminum assembly (A360 alloy, <0.4% copper) Minimum wall thickness is .188". Housing attaches to pole via a one piece, extruded aluminum arm with centering guides for internal draw bolts. Housing/pole junction is gasketed. All exposed hardware is stainless steel. Internal protected hardware is electro-zinc plated.

LENS ASSEMBLY

Precise, durable cast aluminum door frame surrounds 3/16" clear tempered glass lens. Glass is sealed to door with high temperature silicone seal. Closed cell EPDM gasketing compressed between door and housing seals optical chamber.

OPTICS

Specular Alzak® optical segments rigidly mounted in an aluminum frame, which attaches to the housing as a one piece module. All sockets are porcelain 4KV pulse rated, medium base (E26) up to 150W or pin-oriented mogul base (E39) up to 400W. Reflector modules are factory prewired with a quick-disconnect plug.

ELECTRICAL COMPONENTS

All electrical components are UL and cUL recognized mounted on a single plate and factory prewired with quick-disconnect plugs. Electrical module attaches to housing with no-tool hinges and latches, accessible by opening the lens frame. Magnetic MH ballasts are high power factor (100W - 150W) or CWA (250W - 400W), -20°F starting, multi-tap 120-277V or 480V, 60Hz. All HPS ballasts are core and coil, high-reactance, high power factor (100W - 150W) or CWA (200W - 400W), -40°F starting.

FINISH

Electrostatically applied TGIC Polyester Powder Coat on substrate prepared with 20 PSI power wash at 140°F. Four step iron phosphate pretreatment for protection and paint adhesion. 400°F bake for maximum hardness and durability. Texture finish is standard.

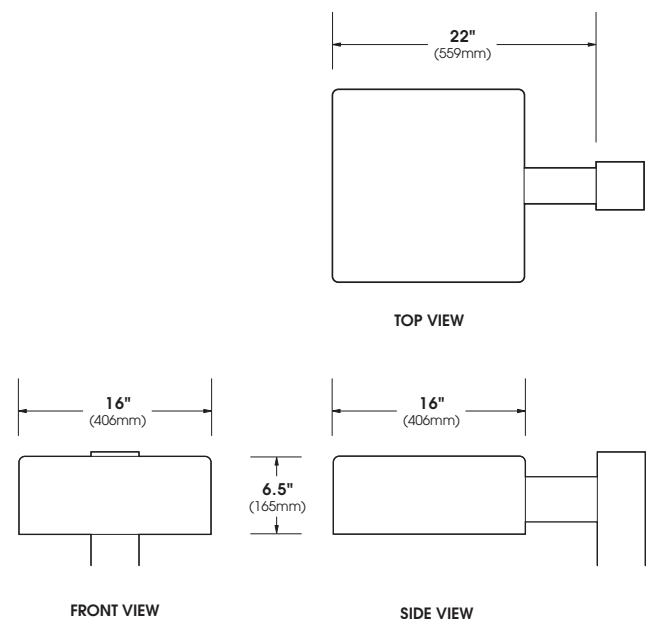
PROJECT NAME: _____


FIXTURE TYPE: _____



LUM

PATENT PENDING



 Light Pollution Control Classification System
Full cutoff 0% Uplight Luminaire

 U.L. Listed for wet location

MADE IN THE
USA

2016020

U.S. Architectural Lighting

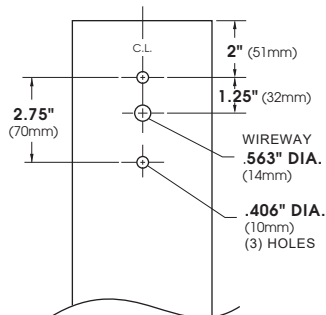
660 West Avenue O, Palmdale, CA 93551
Phone (661) 233-2000 Fax (661) 233-2001
www.usallg.com

U.S. ARCHITECTURAL
LIGHTING

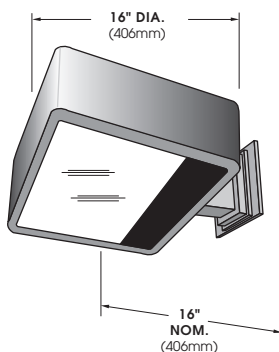
LUMENATOR SERIES - HID

S P E C I F I C A T I O N S

POLE DRILLING TEMPLATE

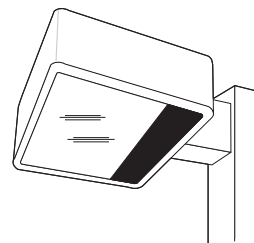


WALL MOUNT



EXTRUDED ALUMINUM ARM AND CAST ALUMINUM WALL BRACKET ASSEMBLY PROVIDED WITH BUILT IN GASKETED WIRE ACCESS FOR FIXTURE/SUPPLY WIRE CONNECTION.

E.P.A. & LAMP WATTAGE



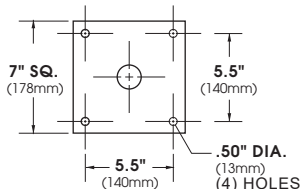
LUM E.P.A. = 1.12
LAMP SIZE: 100 - 400 WATT

PRECISE COMPUTER DESIGNED SEGMENTED SHARP CUTOFF OPTICS.

IMPACT RESISTANT TEMPERED GLASS LENS.

SOFT CORNER DESIGN HOUSING.

WALL PLATE



Spec/Order Example: LUM/HR-IV/320PSMH/277/2-180/RAL-9005-S

S P E C / O R D E R I N G I N F O R M A T I O N

MODEL	OPTICS	WATTAGE	TYPE	VOLTAGE	MOUNTING	FINISH	OPTIONS
MODEL	OPTICS	LAMP			MOUNTING	FINISH	OPTIONS
MODEL	HORIZONTAL LAMP REFLECTORS	WATTAGE	TYPE	VOLTAGE	ARM MOUNT	STANDARD TEXTURED FINISH	
<input type="checkbox"/> LUM	<input type="checkbox"/> TYPE III HR-III <input type="checkbox"/> TYPE IV HR-IV (FORWARD THROW) <input type="checkbox"/> TYPE V-SQ HR-V-SQ	<input type="checkbox"/> 400 <input type="checkbox"/> 350 <input type="checkbox"/> 320 <input type="checkbox"/> 250 <input type="checkbox"/> 200 ¹ <input type="checkbox"/> 175 ¹ <input type="checkbox"/> 150 <input type="checkbox"/> 100	<input type="checkbox"/> PSMH <input type="checkbox"/> HPS	<input type="checkbox"/> 120 <input type="checkbox"/> 208 <input type="checkbox"/> 240 <input type="checkbox"/> 277 <input type="checkbox"/> 347 (CAN) <input type="checkbox"/> 480	<input type="checkbox"/> 1 <input type="checkbox"/> 2-180 <input type="checkbox"/> 2-90 <input type="checkbox"/> 3-120 <input type="checkbox"/> 3-90 <input type="checkbox"/> 4-90 ADJUSTABLE KNUCKLE FITTER <input type="checkbox"/> NKLE27 <input type="checkbox"/> NKLE23 WALL MOUNT <input type="checkbox"/> WM	<input type="checkbox"/> BLACK RAL-9005-T <input type="checkbox"/> WHITE RAL-9003-T <input type="checkbox"/> GREY RAL-7004-T <input type="checkbox"/> DARK BRONZE RAL-8019-T <input type="checkbox"/> GREEN RAL-6005-T	<input type="checkbox"/> CLEAR POLYCARBONATE DIFFUSER LEX <input type="checkbox"/> HOUSE SIDE SHIELD HS <input type="checkbox"/> PHOTO CELL + VOLTAGE (EXAMPLE: PC120V) PC+V <input type="checkbox"/> TWIST LOCK PHOTO CELL+VOLTAGE (EXAMPLE TPC120V) TPC+V <input type="checkbox"/> TWIST LOCK RECEPTACLE ONLY TPR <input type="checkbox"/> SINGLE FUSE (120V, 277V) SF <input type="checkbox"/> DOUBLE FUSE (208V, 240V, 480V) DF
		NOTES: 1 - POSITION SENSITIVE LAMP				FOR SMOOTH FINISH REPLACE SUFFIX "T" WITH SUFFIX "S" (EXAMPLE: RAL-9005-S) SEE USALTG.COM FOR ADDITIONAL COLORS	CONSULT FACTORY FOR DIMMING APPLICATIONS
		CONSULT FACTORY FOR OTHER BALLAST CONFIGURATIONS AND LAMP OPTIONS					