

SOLID STATE AREA LIGHTING

OVPT SERIES-LED

S P E C I F I C A T I O N S

LUMINAIRE

High Impact polycarbonate lens provided with durable corrosion resistant cast aluminum housing and cage. Heavy gauge formed aluminum reflector Top is hinged for access. Base has 3" I.D. opening for tenon mounting. All hardware is stainless steel.

LED POWER ARRAY™

Three-dimensional array of individual LED Tubes fastened to a retaining plate. Each LED Tube consists of circuit board populated with a multiple of LED's and is mechanically fastened to a radial aluminum heat sink. An acrylic Lens and end cap protects the LED Tube's internal components.

VERTICAL POWER ARRAY™ WITH GLASS REFRACTOR:

LED Tubes are aligned vertically and arranged radially to produce an even raw light distribution that simulates standard light sources. Array is secured within a 6" Prismatic Glass Refractor which provides the optical control. Used in conjunction with clear lens.

VERTICAL POWER ARRAY™: LED Tubes are aligned vertically and arranged radially to produce an even raw light distribution that simulates standard light sources. Produces a minimal glare, symmetric diffuse light distribution. Used in conjunction with an opal diffusing lens.

LED EMITTERS

High Output LED's are driven at 350mA for nominal 1 Watt output each. LED's are available in standard Neutral White (4000K), or optional Cool White (5000K) or Warm White (3000K). Consult Factory for other LED options.

LED DRIVER

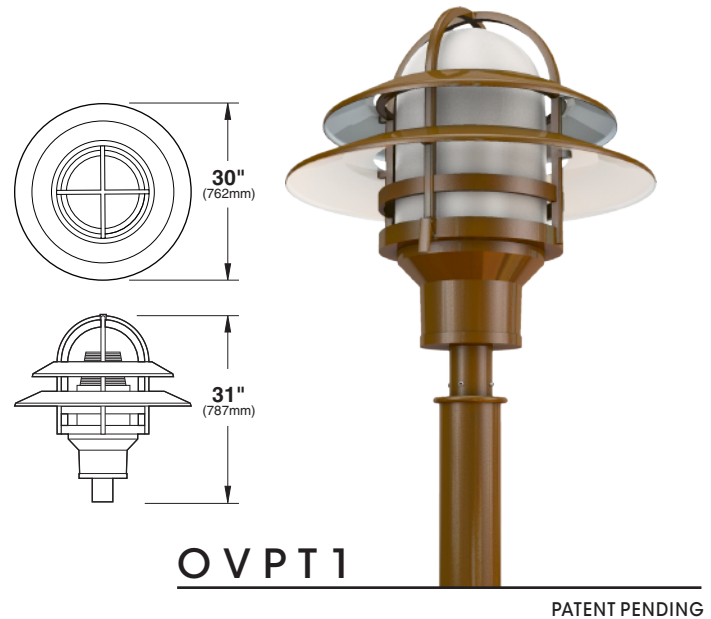
UL and CUL recognized High Power Factor, Constant Current LED drivers operate on input voltages from 120-277VAC, 50/60hz. Consult Factory for 347-480VAC. Driver is mechanically fastened to a retaining bracket. Main power quick disconnect provided. Driver has a minimum 4KV of internal surge protection, 10KV & 20KV Surge Protector optional. Dimming and High-Low Driver options available.

FINISH

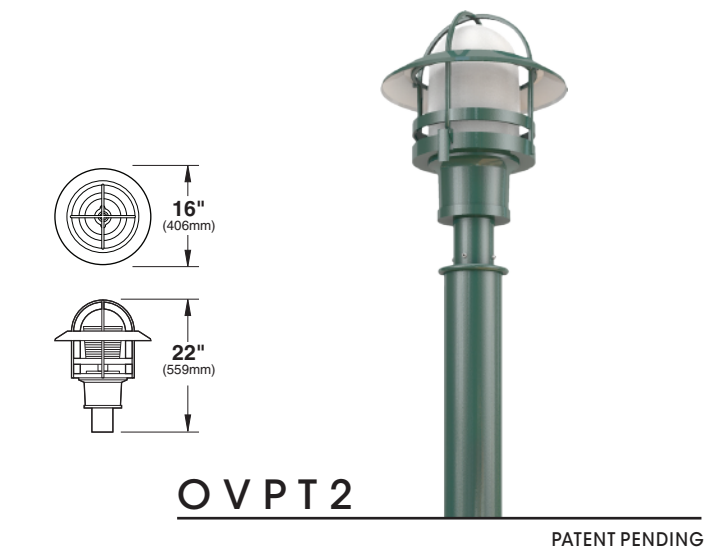
Polyester powder coat incorporates four step iron phosphate process to pretreat metal surface for maximum adhesion. Top coat is baked at 400°F for maximum hardness and exterior durability.

PROJECT NAME: _____

PROJECT TYPE: _____



PATENT PENDING



PATENT PENDING

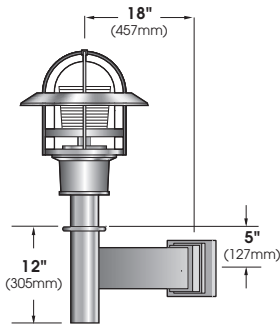


2014250

OVPT SERIES - LED

S P E C I F I C A T I O N S

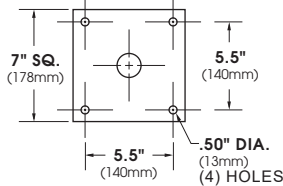
WALL MOUNT



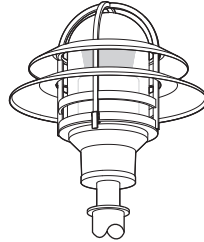
EXTRUDED ALUMINUM ARM BRACKET AND CAST ALUMINUM WALL BRACKET ASSEMBLY PROVIDED WITH BUILT IN GASKETED WIRE ACCESS FOR FIXTURE/SUPPLY WIRE CONNECTION.

SHOWN WITH USA-WM.

WALL PLATE



LED POWER ARRAY™ MODULES



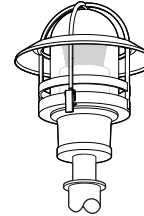
OVPT1-LED E.P.A.= 2.17

GLASS REFRACTOR w/ VERTICAL ARRAY

Available in:
6 Array 36 LED Max.

VERTICAL ARRAY

Available in:
8 Array 64 LED Max.
10 Array 80 LED Max.



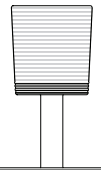
OVPT2-LED E.P.A.= 0.85

GLASS REFRACTOR w/ VERTICAL ARRAY

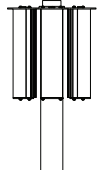
Available in:
6 Array 36 LED Max.

VERTICAL ARRAY

Available in:
6 Array 48 LED Max.



GRV - Glass Refractor w/ Vertical Array
Base mount



VPA - Vertical Array
Base mount

Spec/Order Example: **OVPT2-LED/VPA-SYM/48NW208/1/RAL9005-S/HS**

S P E C / O R D E R I N G I N F O R M A T I O N

LUMINAIRE-FITTER	OPTICS	# of LED's	COLOR	VOLTAGE	MOUNTING	FINISH	OPTIONS
LUMINAIRE	OPTICS	LED			MOUNTING	FINISH	OPTIONS
LUMINAIRE-FITTER	GLASS REFRACTOR (CLEAR SMOOTH POLYCARBONATE STANDARD)	# of LEDs	COLOR		ARM MOUNT	STANDARD TEXTURED FINISH	LENS OPTIONS:
<input type="checkbox"/> OVPT1-LED	<input type="checkbox"/> GRV - III	<input type="checkbox"/> 36LED (40 Watts)	<input type="checkbox"/> NW (4000K)* *STANDARD		<input type="checkbox"/> 1	<input type="checkbox"/> BLACK RAL-9005-T	<input type="checkbox"/> CLEAR SMOOTH ACRYLIC CA
<input type="checkbox"/> OVPT2-LED	<input type="checkbox"/> GRV - V	<input type="checkbox"/> 36LED (40 Watts)	<input type="checkbox"/> CW (5000K)		<input type="checkbox"/> 2-180	<input type="checkbox"/> WHITE RAL-9003-T	<input type="checkbox"/> OPAL SMOOTH ACRYLIC WA
		Wattages are Max Input Watts			<input type="checkbox"/> 2-90	<input type="checkbox"/> GREY RAL-7004-T	<input type="checkbox"/> CLEAR SMOOTH POLYCARBONATE . . . CP
	VERTICAL POWER ARRAY (OPAL POLYCARBONATE STANDARD)	OVPT1	OTHER LED COLORS AVAILABLE CONSULT FACTORY		<input type="checkbox"/> 3-90	<input type="checkbox"/> DARK BRONZE RAL-8019-T	<input type="checkbox"/> OPAL SMOOTH POLYCARBONATE . . . WP
<input type="checkbox"/> VPA - SYM		<input type="checkbox"/> 80LED (89 Watts)	VOLTAGE		<input type="checkbox"/> 3-120	<input type="checkbox"/> GREEN RAL-6005-T	<input type="checkbox"/> HOUSE SIDE SHIELD . . . HS
		<input type="checkbox"/> 48LED (53 Watts)	<input type="checkbox"/> 120		<input type="checkbox"/> 4-90		<input type="checkbox"/> DIMMABLE DRIVER(S) (0-10V) DIM
		<input type="checkbox"/> 64LED (71 Watts)	<input type="checkbox"/> 208		<input type="checkbox"/> WALL MOUNT	FOR SMOOTH FINISH REPLACE SUFFIX "T" WITH SUFFIX "S" (EXAMPLE: RAL-9500-S)	<input type="checkbox"/> HIGH-LOW DIMMING FOR HARDWIRED SWITCHING OR NON-INTEGRATED MOTION SENSOR HLSW
		<input type="checkbox"/> 36LED (40 Watts)	<input type="checkbox"/> 240		<input type="checkbox"/> WM	SEE USALTG.COM FOR ADDITIONAL COLORS	<input type="checkbox"/> PHOTO CELL + VOLTAGE (EXAMPLE: PC120V) . . . PC+V
		<input type="checkbox"/> 48LED (53 Watts)	<input type="checkbox"/> 277		<input type="checkbox"/> POST TOP		<input type="checkbox"/> 10KV SURGE PROTECTOR 10SP
			<input type="checkbox"/> 347		<input type="checkbox"/> PT		<input type="checkbox"/> 20KV SURGE PROTECTOR (277V & 480V Only) . . . 20SP
			<input type="checkbox"/> 480				