

H.I.I.D. AREA LIGHTING

OVPT SERIES-HID

S P E C I F I C A T I O N S

LUMINAIRE

High Impact polycarbonate lens prOVPTided with durable corrosion resistant cast aluminum housing and cage. Heavy gauge formed aluminum reflector Top is hinged for access. All hardware is stainless steel.

REFLECTOR

Heavy wall spun aluminum construction. Bottom side finished with a high gloss white enamel for maximum reflectivity.

OPTICS

One piece clear polycarbonate lens encloses clear prismatic glass refractor. Type III or Type V light distribution. Sockets are porcelain 4KV pulse rated, medium base (E26) for 50W - 175W or mogul base (E39) for 250W.)

ELECTRICAL COMPONENTS

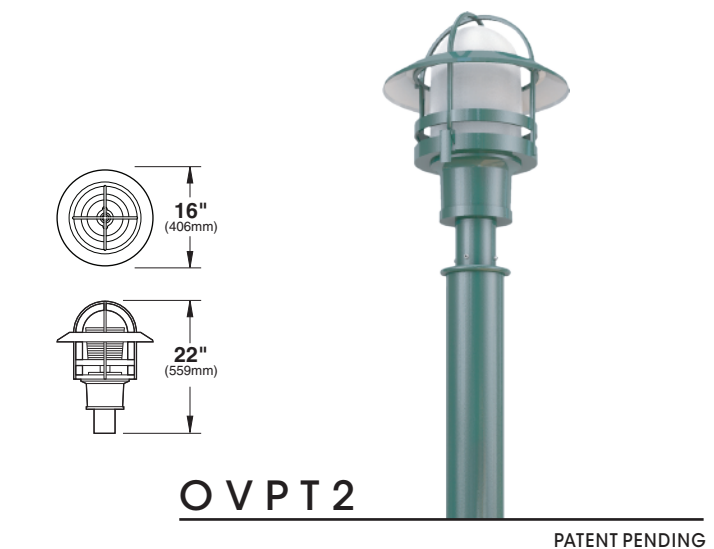
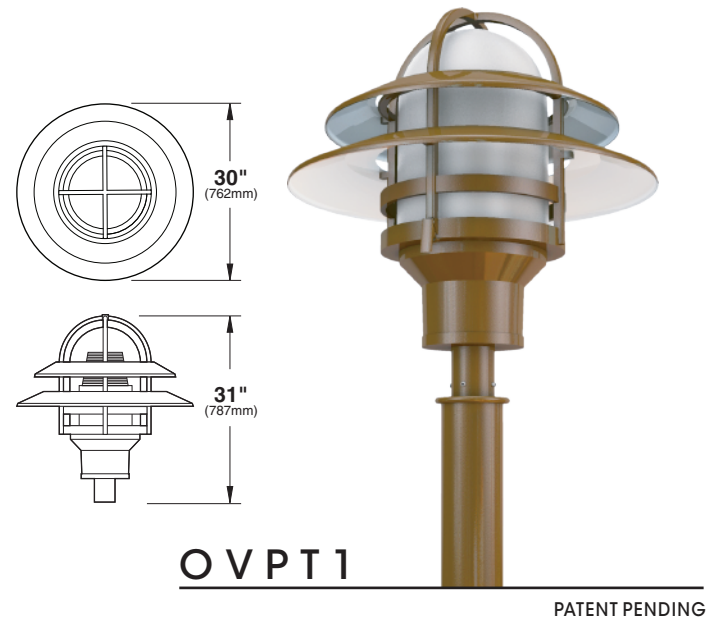
All electrical components are UL and cUL recognized mounted on a single plate and factory wired with quick-disconnect. Electrical module attaches to housing with toolless hinge and latch. Magnetic MH ballasts are high power factor (70W - 150W) or CWA (250W), -20°F starting, multi-tap 120-277V, 60Hz. All HPS ballasts are core and coil, high-reactance, high power factor (70W - 150W) or CWA (200W - 250W), -40°F starting.

FINISH

Electrostatically applied TGIC Polyester Powder Coat on substrate prepared with 20 PSI power wash at 140°F. Four step iron phosphate pretreatment for protection and paint adhesion. 400°F bake for maximum hardness and durability. Texture finish is standard.

PROJECT NAME: _____

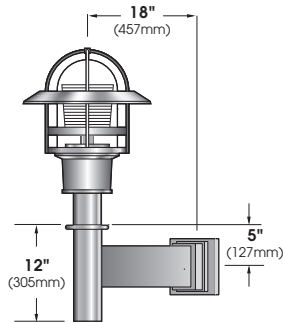
FIXTURE TYPE: _____



OVPT SERIES - HID

S P E C I F I C A T I O N S

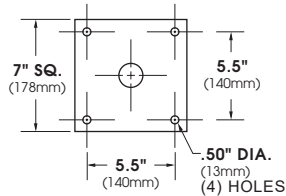
WALL MOUNT



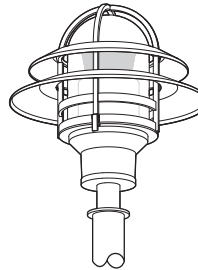
EXTRUDED ALUMINUM ARM BRACKET AND CAST ALUMINUM WALL BRACKET ASSEMBLY PROVIDED WITH BUILT IN GASKETED WIRE ACCESS FOR FIXTURE/SUPPLY WIRE CONNECTION.

SHOWN WITH USA-WM.

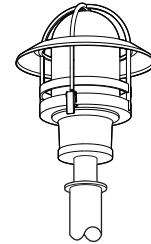
WALL PLATE



E.P.A. & LAMP WATTAGE



OVPT1-LED E.P.A. = 2.17
LAMP SIZE: 50 - 250 WATT



OVPT2-LED E.P.A. = 0.85
LAMP SIZE: 50 - 100 WATT

Spec/Order Example: OVPT1-CP/250HPS347/RAL-9003-S/TPR

S P E C / O R D E R I N G I N F O R M A T I O N

MODEL	WATTAGE	TYPE	VOLTAGE	OPTICS	MOUNTING	FINISH	OPTIONS
<input type="checkbox"/> OVPT1/CP	<input type="checkbox"/> 250	<input type="checkbox"/> PSMH	<input type="checkbox"/> 120	<input type="checkbox"/> PRISMATIC GLASS REFRACTOR TYPE III	<input type="checkbox"/> 1	<input type="checkbox"/> BLACK RAL-9005-T	<input type="checkbox"/> HOUSE SIDE SHIELD HS
<input type="checkbox"/> OVPT2/CP	<input type="checkbox"/> 175	<input type="checkbox"/> HPS	<input type="checkbox"/> 208	<input type="checkbox"/> PRISMATIC GLASS REFRACTOR TYPE V	<input type="checkbox"/> 2-180	<input type="checkbox"/> WHITE RAL-9003-T	<input type="checkbox"/> PHOTO CELL + VOLTAGE (EXAMPLE: PC12OVPT) PC+V
	<input type="checkbox"/> 150		<input type="checkbox"/> 240	<input type="checkbox"/> DIFFUSER OPTIONS:	<input type="checkbox"/> 2-90	<input type="checkbox"/> GREY RAL-7004-T	<input type="checkbox"/> TWIST LOCK PHOTO CELL+VOLTAGE (EXAMPLE TPC120V) TPC+V
	<input type="checkbox"/> 100		<input type="checkbox"/> 277	<input type="checkbox"/> CLEAR ACRYLIC . . . CA	<input type="checkbox"/> 3-90	<input type="checkbox"/> DARK BRONZE RAL-8019-T	<input type="checkbox"/> TWIST LOCK RECEPTACLE ONLY TPR
	<input type="checkbox"/> 70		<input type="checkbox"/> 347	<input type="checkbox"/> OPAL ACRYLIC WA	<input type="checkbox"/> 3-120	<input type="checkbox"/> GREEN RAL-6005-T	<input type="checkbox"/> SINGLE FUSE (120V. , 277V) SF
	<input type="checkbox"/> 50		<input type="checkbox"/> 480	<input type="checkbox"/> OPAL POLYCARBONATE WP	<input type="checkbox"/> 4-90		<input type="checkbox"/> DOUBLE FUSE (208V. , 240V) DF
				<input type="checkbox"/> FROSTED TEMPERED GLASS FG (OVPT1 ONLY)	<input type="checkbox"/> WALL MOUNT WM	FOR SMOOTH FINISH REPLACE SUFFIX "T" WITH SUFFIX "S" (EXAMPLE: RAL-9005-S)	
						SEE USALTG.COM FOR ADDITIONAL COLORS	
							CONSULT FACTORY FOR DIMMING APPLICATIONS

CLEAR POLYCARBONATE (CP) ENCLOSURE STANDARD UP TO 175W.
FROSTED TEMPERED GLASS (FG) ENCLOSURE STANDARD FOR 250W.

250 W. REQUIRES FROSTED TEMPERED GLASS DIFFUSER