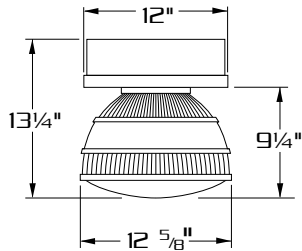


[175 WATT MAX.]

PSL12S



SPECIFICATIONS:

LUMINAIRE: CORROSION RESISTANT. DURABLE PRECISION CAST ALUMINUM CONSTRUCTION.

OPTICS: INJECTION MOLDED, UV STABILIZED ACRYLIC PRISMATIC REFRACTOR PROVIDES WIDE LATERAL DOWN LIGHT DISTRIBUTION ALONG WITH UPLIGHT FOR UNIFORM CEILING ILLUMINATION. PRECISELY POSITIONED SHIELD REDUCES DIRECT GLARE. CLEAR CONVEX ACRYLIC LENS IS MECHANICALLY FASTENED TO REFRACTOR WITH STAINLESS STEEL TRIM RING.

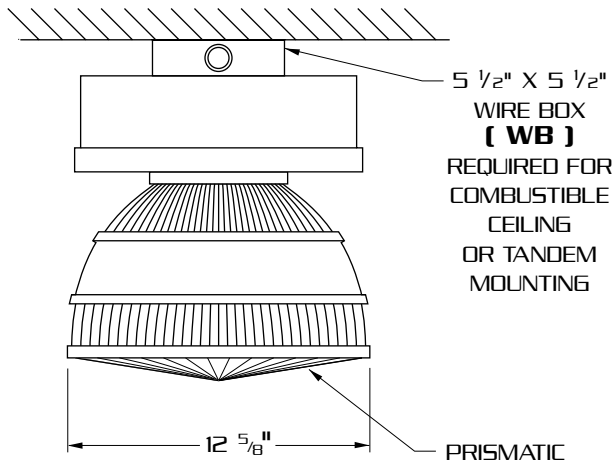
LAMP HOLDER: MEDIUM BASE PORCELAIN.

LAMP: [BY OTHERS]

BALLAST: H.P.F./C.W.A. AUTOTRANSFORMER. -20° STARTING TEMPERATURE. ELECTRICAL COMPONENTS ARE MOUNTED TO A REMOVABLE BALLAST TRAY. BALLAST IS EQUIPPED WITH FACTORY INSTALLED QUICK DISCONNECT PLUG.

FINISH: POLYESTER POWDER COAT-STATE OF THE ART 20 PSI PRESSURE POWER WASH AT 140° TEMPERATURE INCORPORATES FOUR STEP IRON PHOSPHATE PROCESS TO CLEANSE AND PRETREAT THE METAL SURFACE FOR MAXIMUM PAINT ADHESION. ELECTROSTATICALLY APPLIED TEXTURED POLYESTER POWDER TOPCOAT IS BAKED AT 400° TEMPERATURE FOR MAXIMUM HARDNESS AND EXTERIOR DURABILITY.

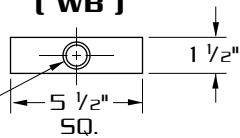




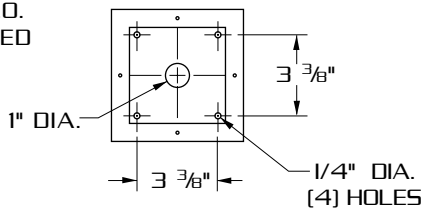
5 1/2" X 5 1/2"
WIRE BOX
{ WB }
REQUIRED FOR
COMBUSTIBLE
CEILING
OR TANDEM
MOUNTING

12 5/8"
PRISMATIC
ACRYLIC
CONICAL LENS
{ V-AC }
(OPTIONAL)

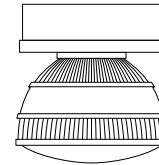
WIRE BOX
{ WB }



7/8" DIA. K.O.
AND
1 1/8" DIA. K.O.
{ 4 } SUPPLIED



**LAMP SIZE:
35 - 175 WATT**



**PRECISION CAST ALUMINUM
HOUSING**

**WIDE LATERAL DOWNLIGHT
DISTRIBUTION**

UNIFORM UPLIGHT

IMPROVED DRIVER VISIBILITY

ORDERING INFORMATION

MODEL NO. : PSL12S	OPTICS	WATTAGE TYPE VOLTAGE	MOUNTING	FINISH	OPTIONS
MODEL NO. : PSL12S	OPTICS	LAMP	MOUNTING	FINISH	OPTIONS
P S L 1 2 S	STANDARD: <input type="checkbox"/> CLEAR PRISMATIC ACRYLIC REFRACTOR WITH SMOOTH DOME ACRYLIC LENS TYPE V..... V-AD OPTIONS: <input type="checkbox"/> CLEAR PRISMATIC POLYCARBONATE REFRACTOR WITH SMOOTH DOME POLYCARBONATE LENS TYPE V..... V-PD <input type="checkbox"/> CLEAR PRISMATIC ACRYLIC REFRACTOR WITH PRISMATIC ACRYLIC CONICAL LENS TYPE V..... V-AC	WATTAGE TYPE VOLTAGE <input type="checkbox"/> 175 <input type="checkbox"/> HPS <input type="checkbox"/> 120 <input type="checkbox"/> 150 <input type="checkbox"/> MH <input type="checkbox"/> 208 <input type="checkbox"/> 100 <input type="checkbox"/> MV <input type="checkbox"/> 240 <input type="checkbox"/> 70 <input type="checkbox"/> 277 <input type="checkbox"/> 50 <input type="checkbox"/> 480 <input type="checkbox"/> 35 <input type="checkbox"/> MT	<input type="checkbox"/> CSM 	STANDARD TEXTURED FINISH <input type="checkbox"/> BLACK RAL-9005-T <input type="checkbox"/> WHITE RAL-9003-T <input type="checkbox"/> GREY RAL-7004-T <input type="checkbox"/> DRK BRONZE RAL-8019-T <input type="checkbox"/> GREEN RAL-6005-T <small>FOR SMOOTH FINISH REMOVE SUFFIX "T" (EXAMPLE: RAL-9500) SEE WEBSITE FOR ADDITIONAL COLORS</small>	<input type="checkbox"/> 1 1/2"X5 1/2"X5 1/2" WIRE BOX WB <input type="checkbox"/> SINGLE FUSED (120V., 277V) SF <input type="checkbox"/> DOUBLE FUSE (208V., 240V) DF <input type="checkbox"/> QUARTZ RESTRIKE QTZ <input type="checkbox"/> 3/8" IPS STEM MOUNT AND SWIVEL CANOPY (4'-0" MAX.) SM <input type="checkbox"/> OPEN BOTTOM OB