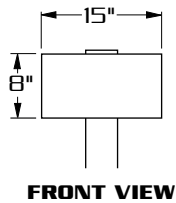
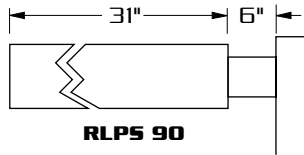
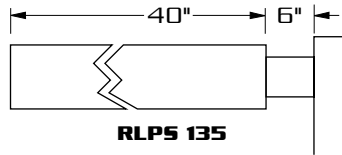
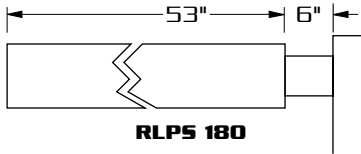


[180 WATT MAX.]



## SPECIFICATIONS

**HOUSING:** ONE PIECE DIE FORMED ALUMINUM CONSTRUCTION WITH SEPARATE BALLAST COMPARTMENT.

**LENS ASS'Y:** ONE PIECE DIE FORMED ALUMINUM DOOR FRAME SURROUNDS 3/16" CLEAR TEMPERED GLASS DIFFUSER. GLASS IS SEALED TO DOOR WITH HIGH TEMPERATURE SILICONE SEAL.

**OPTICS:** SEMI SPECULAR SEGMENTED ALUMINUM REFLECTOR PRODUCES A SHARP CUTOFF.

**GASKETING:** CLOSED CELL SILICONE GASKETING COMPRESSED BETWEEN DOOR AND HOUSING SEALS OPTICAL CHAMBER.

**LAMP HOLDER:** PORCELAIN WITH NICKEL-PLATED BRASS CONTACT.

**LAMP:** (BY OTHERS)

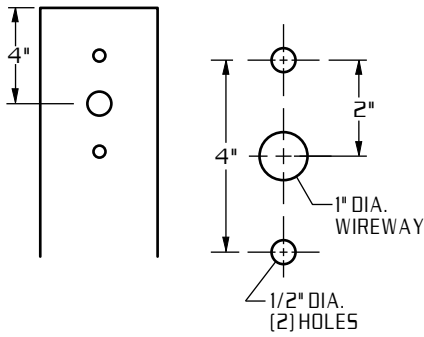
**BALLAST:** H.P.F./C.W.A. AUTOTRANSFORMER, -20° STARTING TEMPERATURE.

**ARM:** 3"X5"X6" LONG HEAVY WALL EXTRUDED ALUMINUM. ARM IS SECURED TO HOUSING AND TO POLE WITH STAINLESS STEEL RODS.

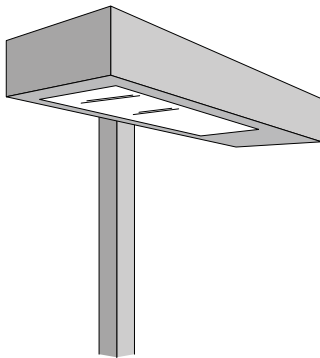
**FINISH:** POLYESTER POWDER COAT-STATE OF THE ART 20 PSI PRESSURE POWER WASH AT 140° TEMPERATURE INCORPORATES FOUR STEP IRON PHOSPHATE PROCESS TO CLEANSE AND PRETREAT THE METAL SURFACE FOR MAXIMUM PAINT ADHESION. ELECTROSTATICALLY APPLIED TEXTURED POLYESTER POWDER TOP COAT IS BAKED AT 400° TEMPERATURE FOR MAXIMUM HARDNESS AND EXTERIOR DURABILITY.



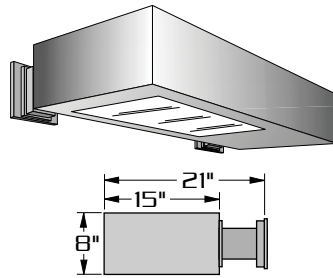
### POLE DRILLING TEMPLATE



### POLE SIDE MOUNTED ( S1 )

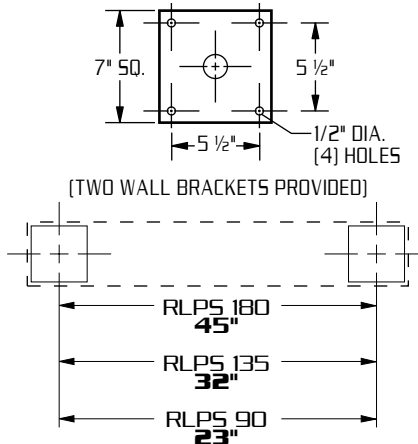


### WALL MOUNT

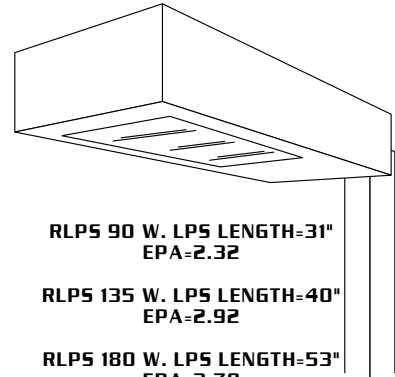


EXTRUDED ALUMINUM ARM AND CAST ALUMINUM WALL BRACKET ASSEMBLY PROVIDED WITH BUILT IN GASKETED WIRE ACCESS FOR FIXTURE/SUPPLY WIRE CONNECTION.

### WALL PLATE



**LAMP SIZE:  
90 - 180 WATT**



**RLPS 90 W. LPS LENGTH-31"  
EPA=2.32**

**RLPS 135 W. LPS LENGTH-40"  
EPA=2.92**

**RLPS 180 W. LPS LENGTH-53"  
EPA=3.78**

**DIE FORMED ALUMINUM HOUSING**

**LUMINAIRE SUPPLIED WITH  
IMPACT RESISTANT TEMPERED  
GLASS LENS**

## ORDERING INFORMATION

MODEL NO. : RLPS	OPTICS	WATTAGE TYPE VOLTAGE	MOUNTING	FINISH	OPTIONS
<b>R L P S</b>	<input type="checkbox"/> ASYMMETRIC SINGLE LAMP <b>ASY-I</b> ...  <input type="checkbox"/> ASYMMETRIC TWIN LAMP <b>ASY-II</b> ...  <input type="checkbox"/> TYPE IV (FORWARD THROW) <b>IV</b> ...  (pole side mounted or wall mounted only)	WATTAGE TYPE VOLTAGE <input type="checkbox"/> 180 <input type="checkbox"/> LPS <input type="checkbox"/> 120 <input type="checkbox"/> 135 <input type="checkbox"/> 208 <input type="checkbox"/> 90 <input type="checkbox"/> 240 <input type="checkbox"/> 277 <input type="checkbox"/> 480 <input type="checkbox"/> MT	ARM MOUNT <input type="checkbox"/> 1 ..... <input type="checkbox"/> S1 .....  STREET LIGHTING ARM MOUNT <input type="checkbox"/> ST 23 ..... (TO FIT OVER 2 3/8" O.D. ARM)  ADJUSTABLE KNUCKLE <input type="checkbox"/> NKLE27 ..... (TO FIT OVER 2 7/8" O.D.)  WALL MOUNT <input type="checkbox"/> WM .....	STANDARD TEXTURED FINISH <input type="checkbox"/> BLACK RAL-9005-T <input type="checkbox"/> WHITE RAL-9003-T <input type="checkbox"/> GREY RAL-7004-T <input type="checkbox"/> DRK BRONZE RAL-8019-T <input type="checkbox"/> GREEN RAL-6005-T  FOR SMOOTH FINISH REMOVE SUFFIX "T" (EXAMPLE: RAL-9500)  SEE WEBSITE FOR ADDITIONAL COLORS	<input type="checkbox"/> CLEAR POLYCARBONATE DIFFUSER ..... <b>LEX</b> <input type="checkbox"/> HOUSE SIDE SHIELD ..... <b>HS</b>  <input type="checkbox"/> PHOTO CELL + VOLTAGE (EXAMPLE: PC120V) ..... <b>PC+V</b> <input type="checkbox"/> TWIST LOCK PHOTO CELL+VOLTAGE (EXAMPLE TPC120V) ..... <b>TPC+V</b>  <input type="checkbox"/> TWIST LOCK RECEPTACLE ONLY ..... <b>TPR</b> <input type="checkbox"/> SINGLE FUSE (120V. , 277V) ..... <b>SF</b> <input type="checkbox"/> DOUBLE FUSE (208V. , 240V) ..... <b>DF</b> <input type="checkbox"/> TAMPER PROOF ..... <b>TP</b>
			SEE ACCESSORIES SECTION FOR ST23 AND NKLE DETAILS		