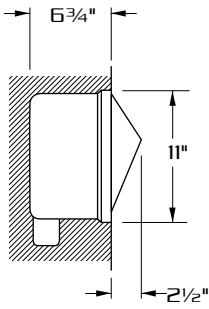
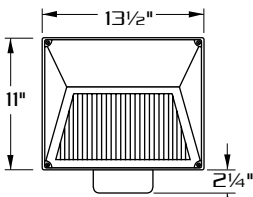


[100 WATT MAX.]



**SIDE VIEW**



**FRONT VIEW**



## SPECIFICATIONS

**HOUSING:** CORROSION RESISTANT, DURABLE CAST ALUMINUM CONSTRUCTION. CAST ALUMINUM J-BOX IS SUPPLIED WITH (2) 1/2" N.P.T. CONDUIT ENTRIES AT BOTTOM

**FACE PLATE:** CORROSION RESISTANT, DURABLE CAST ALUMINUM CONSTRUCTION.

**OPTICS:** (STD) SEGMENTED SPECULAR ALUMINUM REFLECTOR COMBINES WITH LINEAR PRISMATIC GLASS LENS (3/16") TO PROVIDE SYMMETRIC WIDE ANGLE DOWNWARD ILLUMINATION. (SEE ORDERING INFORMATION FOR OTHER OPTICS)

**GASKETING:** HIGH TEMPERATURE SILICONE.

**LAMP HOLDER:** MEDIUM BASE PORCELAIN.

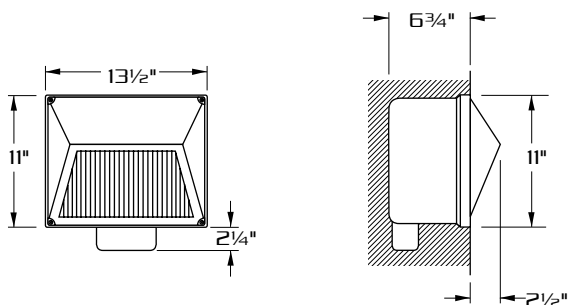
**LAMP:** (BY OTHERS)

**BALLAST:** H.P.F./C.W.A. AUTOTRANSFORMER, -20° STARTING TEMPERATURE. ELECTRICAL COMPONENTS ARE MOUNTED TO HINGED, REMOVABLE TRAY.

**FINISH:** POLYESTER POWDER COAT-STATE OF THE ART 20 PSI PRESSURE POWER WASH AT 140° TEMPERATURE INCORPORATES FOUR STEP IRON PHOSPHATE PROCESS TO CLEANSE AND PRETREAT THE METAL SURFACE FOR MAXIMUM PAINT ADHESION. ELECTROSTATICALLY APPLIED TEXTURED POLYESTER POWDER TOPCOAT IS BAKED AT 400° TEMPERATURE FOR MAXIMUM HARDNESS AND EXTERIOR DURABILITY.



[100 WATT MAX.]



### ORDERING INFORMATION

MODEL NO. : RWP	OPTICS	WATTAGE TYPE VOLTAGE	FINISH	OPTIONS
MODEL NO. :	OPTICS	LAMP	FINISH	OPTIONS
<b>R W P</b>	<input type="checkbox"/> SYMMETRIC, WIDE ANGLE DOWNLIGHT <b>SYM-D</b>	<input type="checkbox"/> 100 <input type="checkbox"/> HPS <input type="checkbox"/> 120	<input type="checkbox"/> BLACK RAL-9005-T	<input type="checkbox"/> SINGLE FUSE (120V., 277V)..... <b>SF</b>
	<input type="checkbox"/> ASYMMETRIC, RIGHT SIDE BEAM DOWNLIGHT <b>ASY-R</b>	<input type="checkbox"/> 75 <input type="checkbox"/> MH <input type="checkbox"/> 208	<input type="checkbox"/> WHITE RAL-9003-T	<input type="checkbox"/> DOUBLE FUSE (208V., 240V)..... <b>DF</b>
	<input type="checkbox"/> ASYMMETRIC, LEFT SIDE BEAM DOWNLIGHT <b>ASY-L</b>	<input type="checkbox"/> 70 <input type="checkbox"/> MV <input type="checkbox"/> 240	<input type="checkbox"/> GREY RAL-7004-T	
	<input type="checkbox"/> SYMMETRIC, WIDE ANGLE UPLIGHT <b>SYM-U</b>	<input type="checkbox"/> 50 <input type="checkbox"/> INC <input type="checkbox"/> 277	<input type="checkbox"/> DRK BRONZE RAL-8019-T	
	<input type="checkbox"/> SYMMETRIC, CAST BAFFLE UPLIGHT <b>SYM-C</b>		<input type="checkbox"/> GREEN RAL-6005-T	
	<input type="checkbox"/> SYMMETRIC, CAST BAFFLE UPLIGHT WITH GUARD <b>SYM-CG</b>			

FOR SMOOTH FINISH REMOVE SUFFIX "T" (EXAMPLE: RAL-9500)  
SEE WEBSITE FOR ADDITIONAL COLORS