

S P E C I F I C A T I O N

HOUSING

Precise cast aluminum construction.
Aerodynamic styling of housing features ribbed accents that dissipate heat from the luminaire interior to increase both ballast and lamp life.
The decorative fin option enhances the design on single mounted models.

(Specify FIN)

LENS ASSEMBLY

Precise cast aluminum construction.
Door frame encases 3/16" clear tempered glass lens sealed to door frame with high temperature EPDM gasket to completely seal door frame from contaminants.

OPTICS

Computer designed specular segmented reflector combines with lens to produce a highly efficient sharp cutoff.
Optical assembly is removable without the use of tools and is field rotatable in 90° increments.

GASKETING

Closed cell EPDM gasketing compressed between door and housing.

LAMP HOLDER

Porcelain lamp holder equipped with factory installed quick disconnect plug.

Mogul base for Scilux.

Medium base for Scilux-M.

(Lamp by others.)

BALLAST

Electrical components are factory pre-wired with quick-disconnect plugs, and are mounted to a hinged ballast plate.

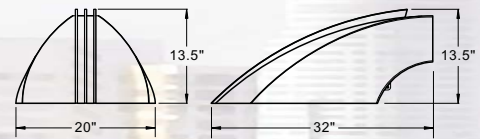
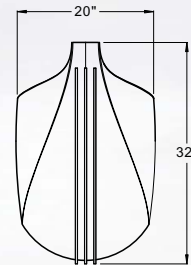
Ballast plate disengages from housing without use of tools and is removable for servicing.

FINISH

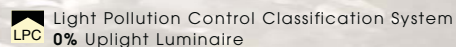
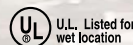
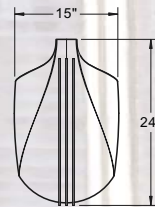
Polyester powder coat with pretreated iron phosphate process for paint adhesion.



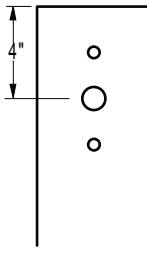
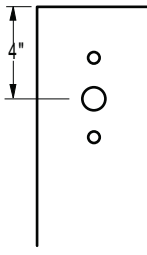
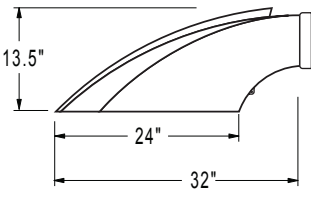
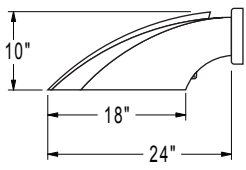
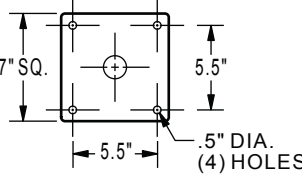
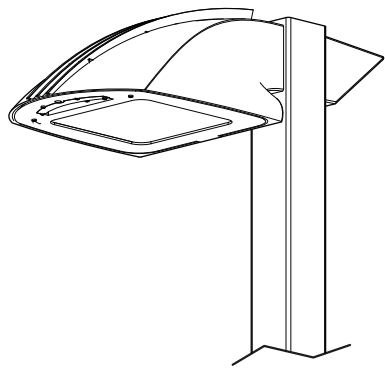
S C I L U X













S C I L U X - M



ORDERING

POLE DRILLING TEMPLATE	WALL MOUNT	CONSTRUCTION
<p>SCILUX DETAIL</p>  <p>4" vertical dimension 2" vertical dimension 4" vertical dimension 1" DIA. WIREWAY .5" DIA. (2) HOLES</p> <p>SCILUX-M DETAIL</p>  <p>4" vertical dimension 1.375" vertical dimension 2.75" vertical dimension 1" DIA. WIREWAY .5" DIA. (2) HOLES</p>	<p>SCILUX</p>  <p>13.5" height 24" width 32" total width</p> <p>SCILUX-M</p>  <p>10" height 18" width 24" total width</p> <p>CAST ALUMINUM WALL BRACKET ASSEMBLY PROVIDED FOR WALLMOUNT UNITS.</p> <p>WALL PLATE</p>  <p>7" SQ. 5.5" spacing 5.5" DIA. (4) HOLES</p>	 <p>SCILUX (400 WATT MAX) EPA - 1.30</p> <p>SCILUX-M (175 WATT MAX) EPA - .72</p> <p>PRECISE CAST ALUMINUM HOUSING AND DOOR FRAME.</p> <p>OPTICAL SYSTEM ENCLOSED BY TEMPERED GLASS LENS.</p> <p>REFLECTOR IS ENTIRELY FIELD ROTATABLE IN 90 DEGREE INCREMENTS.</p> <p>TOOLESS ENTRY TO BOTH LAMP AND ELECTRICAL MODULE.</p>

ORDERING INFORMATION

MODEL	OPTICS	LAMP	MOUNTING	FINISH	OPTIONS
SCX OR SCXM	<input type="checkbox"/> TYPE II HR-II  <input type="checkbox"/> TYPE III HR-HR-III  <input type="checkbox"/> TYPE IV HR-IV  <input type="checkbox"/> TYPE V HR-V-SQ  <input type="checkbox"/> TYPE FT (REAR CUT-OFF) HR-FT-HSC 	<p>WATTAGE/TYPE VOLTAGE</p> <p>SCILUX</p> <p><input type="checkbox"/> 400 <input type="checkbox"/> HPS <input type="checkbox"/> 120 <input type="checkbox"/> 350 <input type="checkbox"/> MH <input type="checkbox"/> 208 <input type="checkbox"/> 320 <input type="checkbox"/> PSMH <input type="checkbox"/> 240 <input type="checkbox"/> 250 <input type="checkbox"/> 277 <input type="checkbox"/> 200 <input type="checkbox"/> 480 <input type="checkbox"/> 175 <input type="checkbox"/> MT <input type="checkbox"/> 150</p> <p>SCILUX-M</p> <p><input type="checkbox"/> 175 <input type="checkbox"/> HPS <input type="checkbox"/> 120 <input type="checkbox"/> 150 <input type="checkbox"/> MH <input type="checkbox"/> 208 <input type="checkbox"/> 100 <input type="checkbox"/> PSMH <input type="checkbox"/> 240 <input type="checkbox"/> 70 <input type="checkbox"/> 277 <input type="checkbox"/> 480 <input type="checkbox"/> MT</p> <p>SCILUX MOGUL BASE LAMP ED-28 OR EQUAL</p> <p>SCILUX-M MEDIUM BASE LAMP ED-17 OR EQUAL</p>	<p>ARM MOUNT</p> <p><input type="checkbox"/> 1-.....  <input type="checkbox"/> 2-180.....  <input type="checkbox"/> 3-90.....  <input type="checkbox"/> 4-90..... </p> <p>WALL MOUNT</p> <p><input type="checkbox"/> WM..... </p>	<p>STANDARD TEXTURED FINISH</p> <p><input type="checkbox"/> BLACK RAL-9005-T</p> <p><input type="checkbox"/> WHITE RAL-9003-T</p> <p><input type="checkbox"/> GREY RAL-7004-T</p> <p><input type="checkbox"/> DRK BRONZE RAL-8019-T</p> <p><input type="checkbox"/> GREEN RAL-6005-T</p> <p>FOR SMOOTH FINISH REMOVE SUFFIX "T" (EXAMPLE: RAL-9500)</p> <p>SEE WEBSITE FOR ADDITIONAL COLORS</p>	<p><input type="checkbox"/> CLEAR POLYCARBONATE DIFFUSER..... LEX</p> <p><input type="checkbox"/> HOUSE SIDE SHIELD... HS</p> <p><input type="checkbox"/> TAMPER PROOF DOOR... TPD</p> <p><input type="checkbox"/> DECORATIVE FIN..... FIN AVAILABLE FOR SINGLE UNIT POLE APPLICATION ONLY.</p> <p><input type="checkbox"/> PHOTO CELL + VOLTAGE (EXAMPLE: PC120V)..... PC+V</p> <p><input type="checkbox"/> SINGLE FUSE (120V., 277V)..... SF</p> <p><input type="checkbox"/> DOUBLE FUSE (208V., 240V)..... DF</p> <p><input type="checkbox"/> QUARTZ RESTRIKE... QTZ</p>