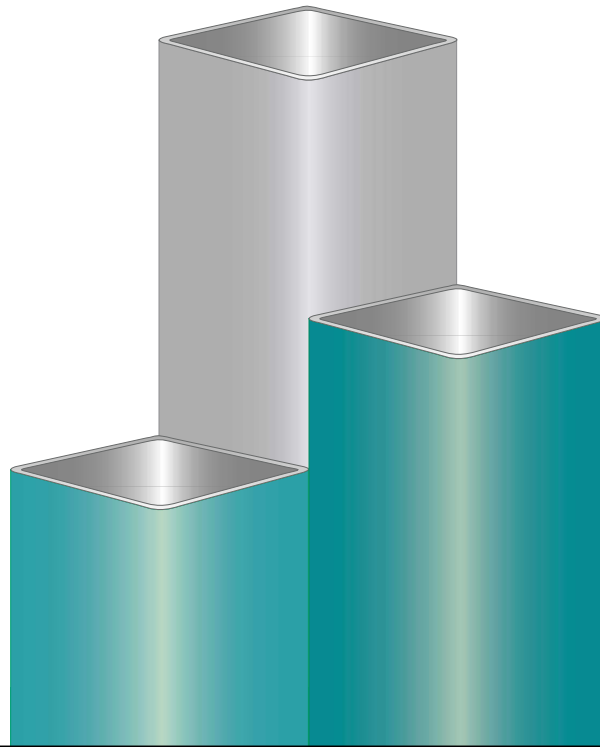
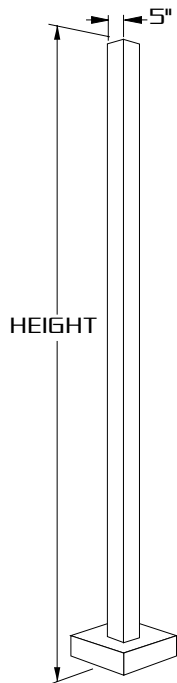


SNTAR 5"



5" SQ. ROUND CORNER STRAIGHT ALUMINUM

SPECIFICATIONS

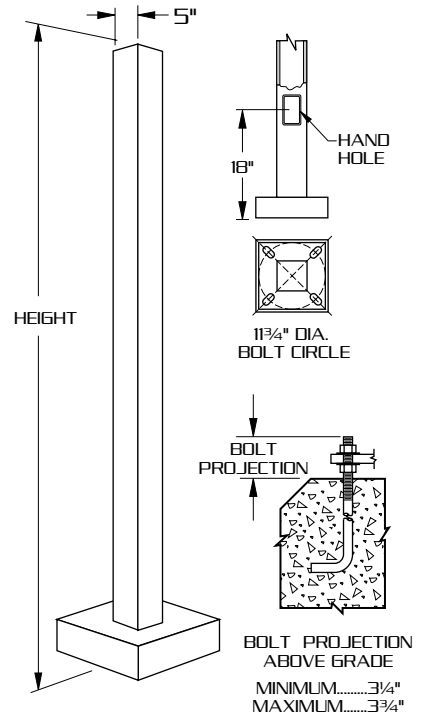
- SHAFT:** 5" SQUARE (ROUND CORNER). EXTRUDED FROM 6063 ALLOY ALUMINUM TUBING. HEAT TREATED TO PRODUCE A T6 TEMPER. SHAFT INCLUDES A PERIPHERALLY REINFORCED HAND HOLE FURNISHED WITH COVER. SHAFT IS FURNISHED WITH GROUND LUG LOCATED ON CAST ALUMINUM BASE PLATE.
- BASE PLATE:** CAST ALUMINUM CONSTRUCTED OF A-356 ALUMINUM ALLOY HEAT TREATED TO PRODUCE A T6 TEMPER. STRUCTURALLY ENGINEERED BASE INCLUDES EIGHT HEAVY WALL REINFORCING VERTICAL GUSSETS. BASE TELESCOPES AND IS CIRCUMFERENTIALLY WELDED TO SHAFT AT BOTH THE OUTSIDE TOP AND INSIDE BOTTOM OF THE BASE.
- ANCHORAGE:** [4] ANCHOR BOLTS FABRICATED FROM HOT ROLLED STEEL BAR. MINIMUM YIELD STRENGTH OF 50,000 P.S.I. BOLTS HAVE "L" BEND ON ONE END AND ARE THREADED ON THE OTHER END. BOLTS ARE FULLY GALVANIZED AND ARE FURNISHED WITH TWO NUTS AND TWO WASHERS.
- BASE COVER:** FABRICATED FROM HEAVY WALL ALUMINUM CONSTRUCTION. TWO PIECE COVER ENTIRELY CONCEALS BASE
- FINISH:** POLYESTER POWDER COAT-STATE OF THE ART 20 PSI PRESSURE POWER WASH AT 140° TEMPERATURE INCORPORATES FOUR STEP IRON PHOSPHATE PROCESS TO CLEANSE AND PRETREAT THE METAL SURFACE FOR MAXIMUM PAINT ADHESION. ELECTROSTATICALLY APPLIED TEXTURED POLYESTER POWDER TOPCOAT IS BAKED AT 400° TEMPERATURE FOR MAXIMUM HARDNESS AND EXTERIOR DURABILITY.

SNTAR SERIES

ENGINEERING DATA Maximum EPA - Square Feet

Catalog Number	Maximum Fixt. wgt.	100 MPH	90 MPH	80 MPH	70 MPH
SNTAR 155-125	100	7.2	9.9	13.8	19.2
SNTAR 185-125	100	3.8	6.0	9.2	14.1
SNTAR 185-188	150	8.2	11.5	16.1	22.7
SNTAR 205-125	100	1.9	3.9	6.7	11.5
SNTAR 205-188	150	5.8	8.7	12.8	18.8
SNTAR 255-188	150	1.0	3.2	6.3	12.4

All above design calculations are based on sustained wind forces plus additional 1.3 wind gust
(Example: Pole rated at 80 MPH withstands 104 MPH gusts)



ORDERING INFORMATION

MODEL NO. : SNTAR	POLES	MOUNTING	FINISH	OPTIONS																												
S N T A R	<table border="1"> <thead> <tr> <th>POLE HEIGHT</th> <th>WALL THICKNESS</th> <th>BOLT CIRCLE</th> <th>ANCHORAGE</th> </tr> </thead> <tbody> <tr> <td><input type="checkbox"/> 155-125 15'</td> <td>.125</td> <td>11 1/4"</td> <td>3/4"X24"X3"</td> </tr> <tr> <td><input type="checkbox"/> 185-125 18'</td> <td>.125</td> <td>11 1/4"</td> <td>3/4"X24"X3"</td> </tr> <tr> <td><input type="checkbox"/> 185-188 18'</td> <td>.188</td> <td>11 1/4"</td> <td>3/4"X24"X3"</td> </tr> <tr> <td><input type="checkbox"/> 205-125 20'</td> <td>.125</td> <td>11 1/4"</td> <td>3/4"X24"X3"</td> </tr> <tr> <td><input type="checkbox"/> 205-188 20'</td> <td>.188</td> <td>11 1/4"</td> <td>3/4"X24"X3"</td> </tr> <tr> <td><input type="checkbox"/> 255-188 25'</td> <td>.188</td> <td>11 1/4"</td> <td>3/4"X24"X3"</td> </tr> </tbody> </table>	POLE HEIGHT	WALL THICKNESS	BOLT CIRCLE	ANCHORAGE	<input type="checkbox"/> 155-125 15'	.125	11 1/4"	3/4"X24"X3"	<input type="checkbox"/> 185-125 18'	.125	11 1/4"	3/4"X24"X3"	<input type="checkbox"/> 185-188 18'	.188	11 1/4"	3/4"X24"X3"	<input type="checkbox"/> 205-125 20'	.125	11 1/4"	3/4"X24"X3"	<input type="checkbox"/> 205-188 20'	.188	11 1/4"	3/4"X24"X3"	<input type="checkbox"/> 255-188 25'	.188	11 1/4"	3/4"X24"X3"	<input type="checkbox"/> 2 3/8"X4" TENON PT23 <input type="checkbox"/> 2 7/8"X4" TENON PT27 <input type="checkbox"/> OTHER TENON MT _____ DRILL MOUNT <input type="checkbox"/> 1..... <input type="checkbox"/> 3-90... <input type="checkbox"/> 2-180... <input type="checkbox"/> 4-90... <input type="checkbox"/> 2-90... <input type="checkbox"/> 3-120... 3-120 REQUIRES PT27 AND T3120 ADAPTER	STANDARD SMOOTH FINISH <input type="checkbox"/> BLACK RAL-9005-S <input type="checkbox"/> WHITE RAL-9003-S <input type="checkbox"/> GREY RAL-7004-S <input type="checkbox"/> DRK BRONZE RAL-8019-S <input type="checkbox"/> GREEN RAL-6005-S OPTION: <input type="checkbox"/> BRONZE ANODIZED AZ313 <input type="checkbox"/> NATURAL ANODIZED AZ <input type="checkbox"/> BLACK ANODIZED AZBK <small>FOR TEXTURED FINISH REPLACE SUFFIX "S" WITH SUFFIX "T" (EXAMPLE: RAL-9005-T)</small> CONSULT FACTORY FOR CUSTOM COLORS	<input type="checkbox"/> DUPLEX RECEPTACLE DUP <input type="checkbox"/> GFI RECEPTACLE GFI <input type="checkbox"/> 3 WAY ADAPTER T3120 <input type="checkbox"/> 1/2" COUPLING CPLN1/2 <input type="checkbox"/> 3/4" COUPLING CPLN3/4 <input type="checkbox"/> 2" COUPLING CPLN2 (SPECIFY COUPLING LOCATION) SEE ACCESSORIES SECTION FOR OTHER OPTIONS.
POLE HEIGHT	WALL THICKNESS	BOLT CIRCLE	ANCHORAGE																													
<input type="checkbox"/> 155-125 15'	.125	11 1/4"	3/4"X24"X3"																													
<input type="checkbox"/> 185-125 18'	.125	11 1/4"	3/4"X24"X3"																													
<input type="checkbox"/> 185-188 18'	.188	11 1/4"	3/4"X24"X3"																													
<input type="checkbox"/> 205-125 20'	.125	11 1/4"	3/4"X24"X3"																													
<input type="checkbox"/> 205-188 20'	.188	11 1/4"	3/4"X24"X3"																													
<input type="checkbox"/> 255-188 25'	.188	11 1/4"	3/4"X24"X3"																													