

SQUARE TAPERED STEEL



SPECIFICATIONS

- SHAFT:** ONE PIECE CONSTRUCTION FABRICATED FROM COIL STOCK, WELDABLE GRADE, HOT ROLLED COMMERCIAL QUALITY CARBON STEEL, GUARANTEED MINIMUM YIELD STRENGTH 55,000 PSI. SHAFT HAS UNIFORM TAPER OF APPROXIMATELY .14' PER FOOT. WALL THICKNESS, 11 GA. (.120 WALL) OR 7 GA. (.180 WALL) AS SPECIFIED. FLUSH REINFORCED HAND HOLE IS FURNISHED WITH COVER. SHAFT IS FURNISHED WITH GROUND LUG LOCATED INSIDE POLE ON WALL OPPOSITE HAND HOLE.
- BASE PLATE:** FABRICATED FROM STRUCTURAL QUALITY HOT ROLLED STEEL. MEETS OR EXCEEDS MINIMUM YIELD STRENGTH OF 36,000 P.S.I. BASE TELESCOPES AND IS CIRCUMFERENTIALLY WELDED TO POLE SHAFT. SLOTTED BOLT HOLES PROVIDE 1" FLEXIBILITY ON EITHER SIDE OF BOLT CIRCLE CENTERLINE.
- ANCHORAGE:** (4) ANCHOR BOLTS FABRICATED FROM HOT ROLLED STEEL BAR, MINIMUM YIELD STRENGTH OF 50,000 P.S.I. BOLTS HAVE "L" BEND ON ONE END AND ARE THREADED ON THE OTHER END. BOLTS ARE FULLY GALVANIZED AND ARE FURNISHED WITH TWO NUTS AND TWO WASHERS.
- BASE COVER:** FABRICATED FROM HEAVY GAUGE QUALITY CARBON STEEL. TWO PIECE COVER CONCEALS BASE.
- FINISH:** POLYESTER POWDER COAT. THE METAL SURFACE IS PRETREATED BY SAND BLAST PROCESS FOR MAXIMUM PAINT ADHESION. ELECTROSTATICALLY APPLIED POLYESTER POWDER TOPCOAT IS BAKED AT 400° TEMPERATURE FOR MAXIMUM HARDNESS AND EXTERIOR DURABILITY.

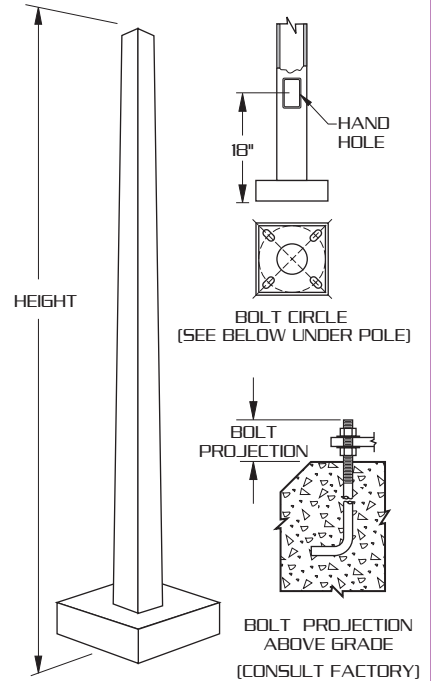
STS SERIES

ENGINEERING DATA

Maximum EPA - Square Feet

Catalog Number	Maximum Fixt. wgt.	100 MPH	90 MPH	80 MPH	70 MPH
STS 20-11	275	6.3	8.4	11.2	15.4
STS 25-11	275	5.8	7.8	10.9	14.9
STS 30-11	225	4.0	5.9	8.6	12.6

All above design calculations are based on sustained wind forces plus additional 1.3 wind gust
 (Example: Pole rated at 80 MPH withstands 104 MPH gusts)



ORDERING INFORMATION

MODEL NO. : STS	POLES	MOUNTING	FINISH	OPTIONS																										
STS	<table border="1"> <thead> <tr> <th>POLE HEIGHT</th> <th>SHAFT SIZE</th> <th>WALL THICKNESS</th> <th>BOLT CIRCLE</th> <th>ANCHORAGE</th> </tr> </thead> <tbody> <tr> <td><input type="checkbox"/> 20-11 20'</td> <td>5.3X3.0</td> <td>11</td> <td>11½"</td> <td>1"X36"X4"</td> </tr> <tr> <td><input type="checkbox"/> 25-11 25'</td> <td>6.0X3.3</td> <td>11</td> <td>11½"</td> <td>1"X36"X4"</td> </tr> <tr> <td><input type="checkbox"/> 30-11 30'</td> <td>6.4X3.0</td> <td>11</td> <td>13½"</td> <td>1"X36"X4"</td> </tr> </tbody> </table> <p><input type="checkbox"/> OTHER HEIGHTS SPECIFY _____</p>	POLE HEIGHT	SHAFT SIZE	WALL THICKNESS	BOLT CIRCLE	ANCHORAGE	<input type="checkbox"/> 20-11 20'	5.3X3.0	11	11½"	1"X36"X4"	<input type="checkbox"/> 25-11 25'	6.0X3.3	11	11½"	1"X36"X4"	<input type="checkbox"/> 30-11 30'	6.4X3.0	11	13½"	1"X36"X4"	<p><input type="checkbox"/> 2 3/8"X4" TENON PT23</p> <p><input type="checkbox"/> 2 7/8"X4" TENON PT27</p> <p><input type="checkbox"/> OTHER TENON MT _____</p> <p>DRILL MOUNT</p> <table border="0"> <tr> <td><input type="checkbox"/> 1.....</td> <td><input type="checkbox"/> 3-90....</td> </tr> <tr> <td><input type="checkbox"/> 2-180....</td> <td><input type="checkbox"/> 4-90....</td> </tr> <tr> <td><input type="checkbox"/> 2-90.....</td> <td><input type="checkbox"/> 3-120...</td> </tr> </table> <p>2-90, 3-90, 4-90 REQUIRES PT27 AND T490 ADAPTER</p> <p>3-120 REQUIRES PT27 AND T3120 ADAPTER</p>	<input type="checkbox"/> 1.....	<input type="checkbox"/> 3-90....	<input type="checkbox"/> 2-180....	<input type="checkbox"/> 4-90....	<input type="checkbox"/> 2-90.....	<input type="checkbox"/> 3-120...	<p>STANDARD SMOOTH FINISH</p> <p><input type="checkbox"/> BLACK RAL-9005-S</p> <p><input type="checkbox"/> WHITE RAL-9003-S</p> <p><input type="checkbox"/> GREY RAL-7004-S</p> <p><input type="checkbox"/> DRK BRONZE RAL-8019-S</p> <p><input type="checkbox"/> GREEN RAL-6005-S</p> <p>OPTION:</p> <p><input type="checkbox"/> PRIME PAINT PP</p> <p><input type="checkbox"/> GALVANIZED GLV</p> <p><input type="checkbox"/> THERMOSET POLYESTER POWDER PDR</p> <p>CONSULT FACTORY FOR CUSTOM COLORS</p>	<p><input type="checkbox"/> DUPLEX RECEPTACLE DUP</p> <p><input type="checkbox"/> GFI RECEPTACLE GFI</p> <p><input type="checkbox"/> 3 WAY ADAPTER T3120</p> <p><input type="checkbox"/> 4 WAY ADAPTER T490</p> <p><input type="checkbox"/> ROUND BASE COVER</p> <p><input type="checkbox"/> 1/2" COUPLING CPLN1/2</p> <p><input type="checkbox"/> 3/4" COUPLING CPLN3/4</p> <p><input type="checkbox"/> 2" COUPLING CPLN2</p> <p>(SPECIFY COUPLING LOCATION)</p> <p>SEE ACCESSORIES SECTION FOR OTHER OPTIONS.</p>
	POLE HEIGHT	SHAFT SIZE	WALL THICKNESS	BOLT CIRCLE	ANCHORAGE																									
<input type="checkbox"/> 20-11 20'	5.3X3.0	11	11½"	1"X36"X4"																										
<input type="checkbox"/> 25-11 25'	6.0X3.3	11	11½"	1"X36"X4"																										
<input type="checkbox"/> 30-11 30'	6.4X3.0	11	13½"	1"X36"X4"																										
<input type="checkbox"/> 1.....	<input type="checkbox"/> 3-90....																													
<input type="checkbox"/> 2-180....	<input type="checkbox"/> 4-90....																													
<input type="checkbox"/> 2-90.....	<input type="checkbox"/> 3-120...																													

