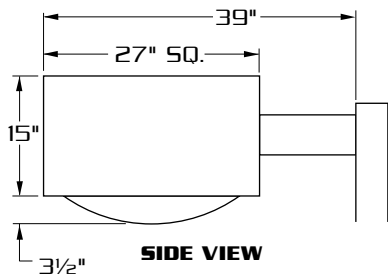
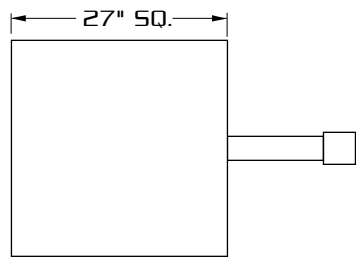


SVL27

(1000 WATT MAX.)



SIDE VIEW



TOP VIEW

E.P.A. = 4.12

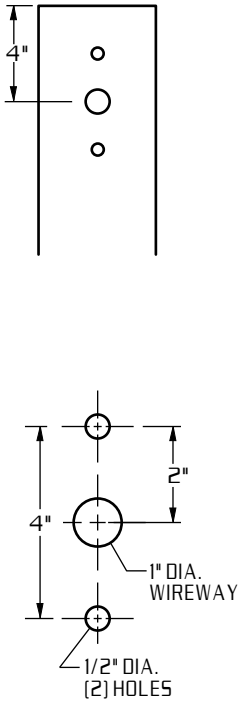


SPECIFICATIONS

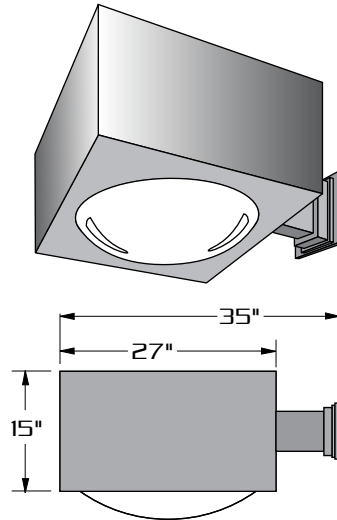
- HOUSING:** ONE PIECE DIE FORMED ALUMINUM CONSTRUCTION WITH SEPARATE BALLAST COMPARTMENT.
- LENS ASS'Y:** ONE PIECE HINGED HEAVY GAUGE DIE FORMED ALUMINUM DOOR FRAME SURROUNDS 3/16" CLEAR CONVEX GLASS LENS. GLASS IS SEALED TO DOOR WITH HIGH TEMPERATURE SILICONE SEAL. TWO CAPTIVE THUMB SCREWS DISENGAGE LENS ASSEMBLY FROM HOUSING WITHOUT THE USE OF TOOLS.
- OPTICS:** COMPUTER DESIGNED ONE PIECE SEGMENTED SPECULAR REFLECTOR COMBINES WITH CLEAR CONVEX LENS TO PRODUCE A HIGHLY EFFICIENT WIDE SYMMETRIC LIGHT DISTRIBUTION WITH OUTSTANDING UNIFORMITY.
- GASKETING:** CLOSED CELL EPDM GASKETING COMPRESSED BETWEEN DOOR AND HOUSING SEALS OPTICAL CHAMBER.
- LAMP HOLDER:** MOGUL BASE PORCELAIN.
- LAMP:** (BY OTHERS)
- BALLAST:** H.P.F./C.W.A. AUTO TRANSFORMER, -20° STARTING TEMPERATURE.
- ARM:** 3"X5"X12" LONG HEAVY WALL EXTRUDED ALUMINUM. ARM IS SECURED TO HOUSING AND TO POLE WITH STAINLESS STEEL RODS.
- FINISH:** POLYESTER POWDER COAT-STATE OF THE ART 20 PSI PRESSURE POWER WASH AT 140° TEMPERATURE INCORPORATES FOUR STEP IRON PHOSPHATE PROCESS TO CLEANSE AND PRETREAT THE METAL SURFACE FOR MAXIMUM PAINT ADHESION. ELECTROSTATICALLY APPLIED TEXTURED POLYESTER POWDER TOP COAT IS BAKED AT 400° TEMPERATURE FOR MAXIMUM HARDNESS AND EXTERIOR DURABILITY.



POLE DRILLING TEMPLATE

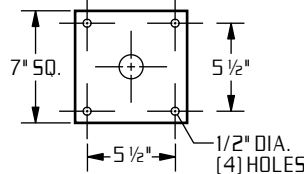


WALL MOUNT

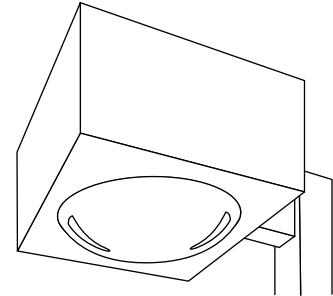


EXTRUDED ALUMINUM ARM AND CAST ALUMINUM WALL BRACKET ASSEMBLY PROVIDED WITH BUILT IN GASKETED WIRE ACCESS FOR FIXTURE/SUPPLY WIRE CONNECTION.

WALL PLATE



**LAMP SIZE:
1000 WATT**



E.P.A. = 4.12

- WIDE THROW BEAM PATTERN.**
- VERTICAL LAMP.**
- COMPUTER DESIGNED SEGMENTED OPTICS.**
- THREE OPTICAL CONFIGURATIONS.**
- FLAT GLASS OPTION FOR FULL CUTOFF OPTICS.**

ORDERING INFORMATION

MODEL NO. : SVL27	OPTICS	WATTAGE TYPE VOLTAGE	MOUNTING	FINISH	OPTIONS																
MODEL NO. : S V L 2 7	OPTICS	LAMP	MOUNTING	FINISH	OPTIONS																
	<input type="checkbox"/> ASYMMETRIC ASY... <input type="checkbox"/> TYPE IV (FORWARD THROW) IV... <input type="checkbox"/> TYPE V V-SQ...	<table border="0"> <tr> <td><input type="checkbox"/> 1000 MH (BT56,BT37)</td> <td><input type="checkbox"/> 120</td> </tr> <tr> <td><input type="checkbox"/> 1000 PSMH (BT37)</td> <td><input type="checkbox"/> 208</td> </tr> <tr> <td><input type="checkbox"/> 750 PSMH (BT37)</td> <td><input type="checkbox"/> 240</td> </tr> <tr> <td></td> <td><input type="checkbox"/> 277</td> </tr> <tr> <td></td> <td><input type="checkbox"/> 480</td> </tr> <tr> <td></td> <td><input type="checkbox"/> MT</td> </tr> <tr> <td><input type="checkbox"/> 1000 HPS (E25)</td> <td></td> </tr> <tr> <td><input type="checkbox"/> 750 HPS (BT37)</td> <td></td> </tr> </table> <p>1000 MH WITH FG OPTION USE (BT37)</p> <p>1000 HPS NOT AVAILABLE WITH FG OPTION</p>	<input type="checkbox"/> 1000 MH (BT56,BT37)	<input type="checkbox"/> 120	<input type="checkbox"/> 1000 PSMH (BT37)	<input type="checkbox"/> 208	<input type="checkbox"/> 750 PSMH (BT37)	<input type="checkbox"/> 240		<input type="checkbox"/> 277		<input type="checkbox"/> 480		<input type="checkbox"/> MT	<input type="checkbox"/> 1000 HPS (E25)		<input type="checkbox"/> 750 HPS (BT37)		<p>ARMMOUNT</p> <input type="checkbox"/> 1 <p>STREET LIGHTING ARM MOUNT</p> <input type="checkbox"/> ST 23 (TO FIT OVER 2 3/8" O.D. ARM) <p>WALL MOUNT</p> <input type="checkbox"/> WM	<p>STANDARD TEXTURED FINISH</p> <input type="checkbox"/> BLACK RAL-9005-T <input type="checkbox"/> WHITE RAL-9003-T <input type="checkbox"/> GREY RAL-7004-T <input type="checkbox"/> DRK BRONZE RAL-8019-T <input type="checkbox"/> GREEN RAL-6005-T	<input type="checkbox"/> FLAT TEMPERED GLASS..... FG <input type="checkbox"/> CLEAR POLYCARBONATE DIFFUSER LEX <input type="checkbox"/> HOUSE SIDE SHIELD HS <input type="checkbox"/> PHOTO CELL + VOLTAGE (EXAMPLE: PC120V) PC+V <input type="checkbox"/> TWIST LOCK PHOTO CELL+VOLTAGE (EXAMPLE TPC120V) TPC+ V <input type="checkbox"/> TWIST LOCK RECEPTACLE ONLY..... TPR <input type="checkbox"/> SINGLE FUSE (120V. , 277V) SF <input type="checkbox"/> DOUBLE FUSE (208V. , 240V) DF
<input type="checkbox"/> 1000 MH (BT56,BT37)	<input type="checkbox"/> 120																				
<input type="checkbox"/> 1000 PSMH (BT37)	<input type="checkbox"/> 208																				
<input type="checkbox"/> 750 PSMH (BT37)	<input type="checkbox"/> 240																				
	<input type="checkbox"/> 277																				
	<input type="checkbox"/> 480																				
	<input type="checkbox"/> MT																				
<input type="checkbox"/> 1000 HPS (E25)																					
<input type="checkbox"/> 750 HPS (BT37)																					
			SEE ACCESSORIES SECTION FOR ST23 AND NKLE DETAILS	FOR SMOOTH FINISH REMOVE SUFFIX "T" (EXAMPLE: RAL-9500) SEE WEBSITE FOR ADDITIONAL COLORS																	