

Sun Valley Lighting



S I G M A™

PATENT PENDING

SUN VALLEY
 **LIGHTING**

S I G M A TM



I N N O V A T I O N

FORM

The SIGMA is a traditional design luminaire that incorporates modern lighting specifications. The lantern-style design achieves old world aesthetics using sandcasting to form the aluminum alloy housing. A computer designed, specular segmented reflector combines with a lens to produce an extremely efficient light distribution. Seven light distribution types are available.

FUNCTION

Reflector assemblies are easily accessible for relamping. The reflector assembly can be removed from the housing for repositioning to the desired direction. Electrical quick disconnects allow complete removal of the optical assembly for easy luminaire servicing. Removal, rotation, and reinstallation of the optical assembly is tool-less.

T

RADITIONAL IN DESIGN
ELEGANT IN FUNCTION

SPECIFICATION

HOUSING

Precise cast aluminum construction.

Traditional styling of the housing features decorative accents and flutes with open struts.

LENS ASSEMBLY

Door frame encases 3/16" clear tempered glass lens sealed to door frame with high temperature EPDM gasket to completely seal door frame from contaminants.

OPTICS

Computer designed specular segmented reflector combines with lens to produce a highly efficient sharp cutoff.

Optical assembly is removable without the use of tools and is field rotatable in 90° increments.

GASKETING

Closed cell EPDM gasketing compressed between door and housing.

LAMP HOLDER

Porcelain lamp holder equipped with factory installed quick disconnect plug.

Mogul base for SIGMA.

Medium base for SIGMA-M.

(Lamp by others.)

BALLAST

Electrical components are factory pre-wired with quick-disconnect plugs, and are mounted to a cast ballast compartment cover.

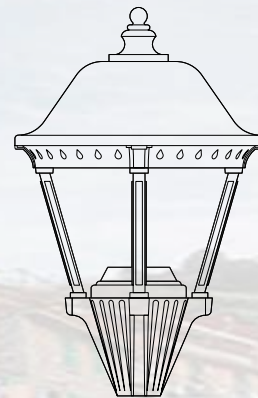
Ballast cover disengages from housing and is removable for servicing.

FINISH

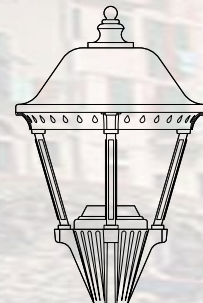
Polyester powdercoat incorporates a four step iron phosphate process to pretreat metal surface for maximum adhesion. Top coat is baked to 400 degrees for maximum hardness and exterior durability.



S I G M A 1



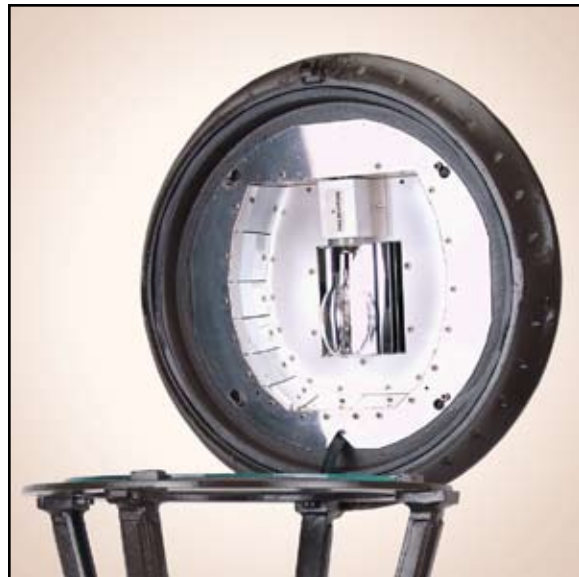
S I G M A 2



Light Pollution Control Classification System
LPC 0% Uplight Luminaire

A

TTENTION TO
DETAIL...



I N T E G R A T I O N

SIGMA features easy access to the ballast compartment at the base of the fixture.

The roof of the housing is raised for access to the reflector and lamp by simply disengaging the latch.

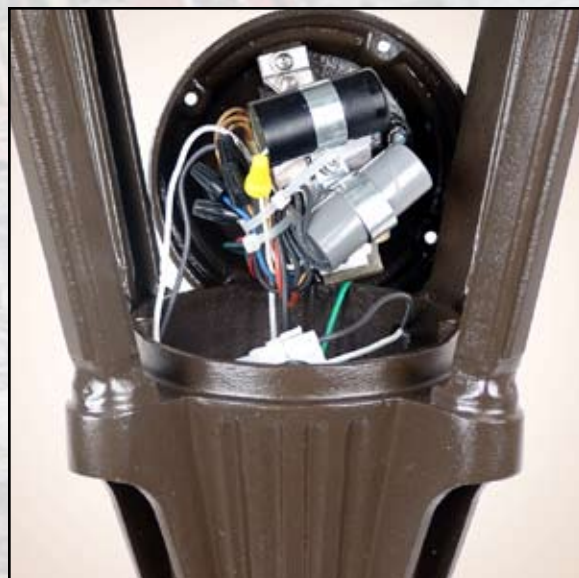
The field-rotatable reflector system is removed from the roof by loosening the four placement screws.

The reflector system is then removed from the housing by disengaging the quick-disconnect plug. This provides complete access to the ballast compartment assembly.

The ballast compartment door functions as the electrical assembly tray.

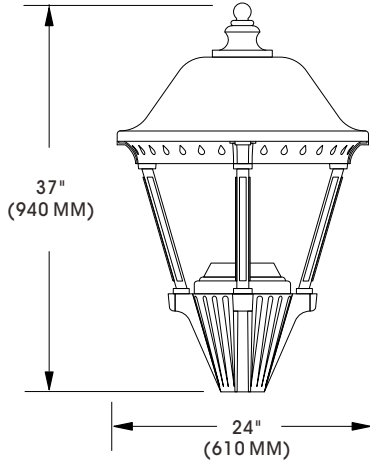
Access to the ballast compartment is accomplished by removing four panhead screws. The entire ballast assembly is also removed from the housing by disengaging a quick-disconnect plug.

SIGMA is designed for ease of servicing.

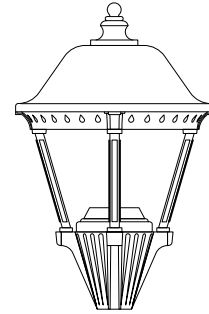
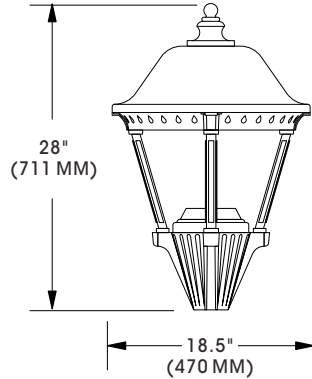


S P E C I F I C A T I O N S

**SIGMA1
(SIG1)**



**SIGMA2
(SIG2)**



SIGMA1 (250 WATT MAX) EPA - 1.58
SIGMA2 (175 WATT MAX) EPA - .96

ALL CAST ALUMINUM CONSTRUCTION.






OPTICAL SYSTEM ENCLOSED BY
TEMPERED GLASS LENS.

REFLECTOR IS ENTIRELY
FIELD ROTATABLE
IN 90 DEGREE INCREMENTS.

TOOLESS ENTRY FOR LAMP REPLACEMENT.

SIGMA1 AND SIGMA2 REQUIRE A 2 7/8" X 3" (73MM X 76MM) TENON FOR MOUNTING.

O R D E R I N G I N F O R M A T I O N

MODEL NO. : SIG	OPTICS	WATTAGE TYPE	VOLTAGE	MOUNTING	FINISH	OPTIONS
MODEL NO. :	OPTICS	LAMP	MOUNTING	FINISH	OPTIONS	
S I G	HORIZONTAL LAMP REFLECTORS	WATTAGE/TYPE	VOLTAGE		STANDARD TEXTURED FINISH	
	<input type="checkbox"/> TYPE II HR-II 	<input type="checkbox"/> 250 <input type="checkbox"/> HPS <input type="checkbox"/> 120 <input type="checkbox"/> 200 <input type="checkbox"/> MH <input type="checkbox"/> 208 <input type="checkbox"/> 175 <input type="checkbox"/> PSMH <input type="checkbox"/> 240 <input type="checkbox"/> 150 <input type="checkbox"/> 277 <input type="checkbox"/> 480 <input type="checkbox"/> MT	<input type="checkbox"/> PT ○ <input type="checkbox"/> WM ○	<input type="checkbox"/> BLACK RAL-9005-T <input type="checkbox"/> WHITE RAL-9003-T <input type="checkbox"/> GREY RAL-7004-T <input type="checkbox"/> DRK BRONZE RAL-8019-T <input type="checkbox"/> GREEN RAL-6005-T	<input type="checkbox"/> HOUSE SIDE SHIELD HS <input type="checkbox"/> PHOTO CELL + VOLTAGE (EXAMPLE: PC120V) ... PC+V <input type="checkbox"/> SINGLE FUSE (120V, 277V) SF <input type="checkbox"/> DOUBLE FUSE (208V, 240V) DF <input type="checkbox"/> QUARTZ RESTRIKE QTZ	
<input type="checkbox"/> TYPE III HR-HR-III 	<input type="checkbox"/> 175 <input type="checkbox"/> HPS <input type="checkbox"/> 120 <input type="checkbox"/> 150 <input type="checkbox"/> MH <input type="checkbox"/> 208 <input type="checkbox"/> 100 <input type="checkbox"/> PSMH <input type="checkbox"/> 240 <input type="checkbox"/> 70 <input type="checkbox"/> 277 <input type="checkbox"/> 50 <input type="checkbox"/> 480 <input type="checkbox"/> MT		FOR SMOOTH FINISH REMOVE SUFFIX "T" (EXAMPLE: RAL-9500) SEE WEBSITE FOR ADDITIONAL COLORS			
<input type="checkbox"/> TYPE IV HR-IV 	SIGMA1 MOGUL BASE LAMP ED-28 OR EQUAL BY OTHERS SIGMA2 MEDIUM BASE LAMP ED-17 OR EQUAL BY OTHERS					
<input type="checkbox"/> TYPE V HR-V-SQ 						
<input type="checkbox"/> TYPE FT* FT-HSC (REAR CUT-OFF) *175W MAX MEDIUM BASE ONLY 						



S I G M A™