

SOLID STATE AREA LIGHTING

VRS SERIES-PLED PT

S P E C I F I C A T I O N S

HOUSING

Unitized 0.125" heavy wall aluminum construction. Upper side vents are protected with perforated aluminum panels. Side vents and bottom lens frame vents provide passive and forced convective cooling of the **PLED™** module. Internal driver compartment is gasketed and sealed.

PLED™ OPTICAL MODULE

Emitters (LED's) are arrayed on a metal core PCB panel with each emitter located on a copper thermal transfer pad and enclosed by an LED refractor. In asymmetric distributions, a micro-reflector inside the refractor re-directs the house side emitter output towards the street side and functions as a house side shielding element. Refractors are injection molded H12 acrylic. Each LED refractor is sealed to the PCB over an emitter and all refractors are retained by an aluminum frame. Any one Panel, or group of Panels in a luminaire, have the same optical pattern. LED refractors produce standard site/area distributions. Panels are field replaceable and individually field rotatable in 90° increments.

LED DRIVERS

Drivers are UL and cUL recognized mounted on a single plate and factory prewired with quick-disconnect plugs. Constant current driver is electronic and has a power factor of >0.90 and a minimum operating temperature of -40°F. In-line terminal blocks facilitate wiring between the driver and optical arrays. Drivers accept an input of 120-277V, 50/60Hz or 347V-480V, 50,60Hz. (0 - 10V dimmable driver is standard. Driver has a minimum of 3kV internal surge protection.)

POST TOP MOUNTING

Four (4) 1" Square extruded aluminum arms welded to a cast aluminum pole top fitter. Arm assembly is mechanically attached to twin castings welded to either side of the housing.

FINISH

Electrostatically applied TGIC Polyester Powder Coat on substrate prepared with 20 PSI power wash at 140°F. Four step sand blast and iron phosphate pretreatment for protection and paint adhesion. 400°F bake for maximum hardness and durability. Texture finish is standard.

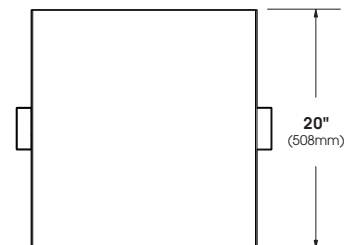
PROJECT NAME: _____

FIXTURE TYPE: _____

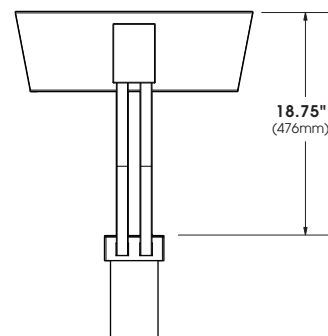


VRS PLED PT

PATENT PENDING



TOP VIEW



SIDE VIEW



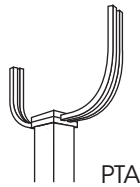
2017178



VRS SERIES - PLED PT

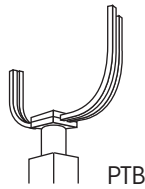
S P E C I F I C A T I O N S

YOLK MOUNT



STANDARD TENON ASSEMBLY FOR 4" & 5" DIA. POLES.

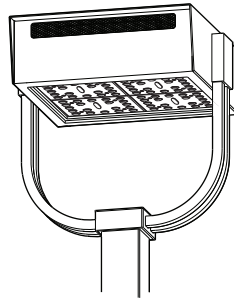
DECORATIVE RING SUPPLIED FOR 6" DIA. POLES.
(SPECIFY POLE I.D.)



TENON ASSEMBLY FOR TAPERED OR SQ. POLES. TENON ASSEMBLY IS ALSO AVAILABLE AS AN OPTION FOR 4", 5" OR 6" DIA. POLES

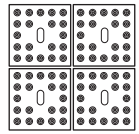
SPECIFY MOUNTING ASSEMBLY:
PTB27-TO FIT OVER 2 7/8" O.D. TENON.
PTB23-TO FIT OVER 2 3/8" O.D. TENON.

PLED™ MODULES



VRS LED POST TOP

E.P.A. = 1.66
Available in:
80 & 40 LED Array



80 LED Module

No. of LEDs	Drive Current	System Watts	HID Equivalent
40	350mA	43	70 - 100
	525mA	65	100 - 150
	700mA	87	175
	1050mA	128	200 - 250
80	350mA	86	150 - 175
	525mA	130	200 - 250
	700mA	174	400
	1050mA	257	575

Spec/Order Example: VRS-LED/PLED-V-SQ/80LED-700mA/NW/277/1/RAL9005

S P E C / O R D E R I N G I N F O R M A T I O N

MODEL	OPTICS	LED			MOUNTING	FINISH	OPTIONS
<input type="checkbox"/> VRS LED PT	PLED™ DISTRIBUTION <input type="checkbox"/> TYPE II PLED-II <input type="checkbox"/> TYPE II FRONT ROW PLED-II-FR <input type="checkbox"/> TYPE II MEDIUM ILLUMINATOR PLED-II-ML <input type="checkbox"/> TYPE III PLED-III <input type="checkbox"/> TYPE IV PLED-IV <input type="checkbox"/> TYPE IV PLED-IV-FT <input type="checkbox"/> TYPE V NARROW PLED-VSQ-N <input type="checkbox"/> TYPE V PLED-VSQ-M <input type="checkbox"/> TYPE V PLED-VSQ-W	No. LEDs <input type="checkbox"/> 80LED <input type="checkbox"/> 40LED	DRIVE CURRENT <input type="checkbox"/> 1050mA <input type="checkbox"/> 700mA <input type="checkbox"/> 525mA <input type="checkbox"/> 350mA	COLOR TEMP-CCT <input type="checkbox"/> NW (4000K)* *STANDARD <input type="checkbox"/> CW (5000K) <input type="checkbox"/> WW (3000K) OTHER LED COLORS AVAILABLE CONSULT FACTORY	YOLK MOUNT <input type="checkbox"/> PTA <input type="checkbox"/> PTB	STANDARD TEXTURED FINISH <input type="checkbox"/> BLACK RAL-9005-T <input type="checkbox"/> WHITE RAL-9003-T <input type="checkbox"/> GREY RAL-7004-T <input type="checkbox"/> DARK BRONZE RAL-8019-T <input type="checkbox"/> GREEN RAL-6005-T FOR SMOOTH FINISH REPLACE SUFFIX "T" WITH SUFFIX "S" (EXAMPLE: RAL-9005-S) SEE USALTG.COM FOR ADDITIONAL COLORS	<input type="checkbox"/> HIGH-LOW DIMMING FOR HARDWIRED SWITCHING OR NONINTEGRATED MOTION SENSOR HLSW <input type="checkbox"/> INTERNAL HOUSE SIDE SHIELD ... HS-PLED <input type="checkbox"/> PHOTO CELL + VOLTAGE (EXAMPLE: PC120V) .. PC+V <input type="checkbox"/> TWIST LOCK PHOTO CELL + VOLTAGE (EXAMPLE: PC120V) .. TPC+V <input type="checkbox"/> TWIST LOCK RECEPTACLE ONLY ... TPR <input type="checkbox"/> 7-PIN TWIST LOCK RECEPTACLE ONLY ... TPR7 <input type="checkbox"/> SINGLE FUSE (120V, 277V, 347V) .. SF <input type="checkbox"/> DOUBLE FUSE (208V, 240V, 480V) .. DF <input type="checkbox"/> STEP DIM MOTION SENSOR (PROGRAMMED 50/100) MS-F211 <input type="checkbox"/> REMOTE MOTION SENSOR CONFIGURATOR MS-FC10
			VOLTAGE <input type="checkbox"/> 120 <input type="checkbox"/> 208 <input type="checkbox"/> 240 <input type="checkbox"/> 277 <input type="checkbox"/> 340 <input type="checkbox"/> 480				



VRS SERIES - PLED PT

LAMP/ELECTRICAL GUIDE

LED COUNT	SOURCE TYPE	SOURCE	INITIAL LUMENS - 4000K	INITIAL LUMENS - 3000K	INITIAL LUMENS - 5000K	L70 GREATER THAN (HR)	STARTING TEMP.	SYSTEM WATTS	VOLTS	MAX INPUT AMPS
40	LED	40 PLED® Optical Module - 350mA	5,585 - 6,408	5,306 - 6,088	5,864 - 6,729	60,000+	-20°F	43	120 277	0.38 0.17
40	LED	40 PLED® Optical Module - 525mA	8,059 - 9,246	7,656 - 8,784	8,462 - 9,709	60,000+	-20°F	65	120 277	0.55 0.24
40	LED	40 PLED® Optical Module - 700mA	10,240 - 11,749	9,728 - 11,162	10,752 - 12,337	54,000+	-20°F	87	120 277	0.73 0.32
40	LED	40 PLED® Optical Module - 1050mA	13,642 - 15,652	12,960 - 14,870	14,324 - 16,435	60,000+	-20°F	128	120 277	1.12 0.49
80	LED	80 PLED® Optical Module - 350mA	10,824 - 12,419	10,283 - 11,798	11,365 - 13,040	60,000+	-20°F	86	120 277	0.75 0.33
80	LED	80 PLED® Optical Module - 525mA	15,587 - 17,884	14,808 - 16,990	16,366 - 18,778	60,000+	-20°F	130	120 277	1.10 0.48
80	LED	80 PLED® Optical Module - 700mA	19,767 - 22,680	18,779 - 21,546	20,755 - 23,814	60,000+	-20°F	174	120 277	1.45 0.63
80	LED	80 PLED® Optical Module - 1050mA	26,255 - 30,124	24,942 - 28,618	27,568 - 31,630	60,000+	-20°F	257	120 277	2.23 0.96

NOTES:

1. Max Input Amps is the highest of starting, operating, or open circuit currents
2. Lumen values for LED Modules vary according to the distribution type
3. System Watts includes the source watts and all driver components.
4. Fuse value should be sufficient to protect all wiring components. For electronic driver and LED component protection, use 10KV - 20KV surge suppressors.
5. L70(9K) - TM-21 6x rule applied

WARNING: All fixtures must be installed in accordance with local codes or the National Electrical Code. Failure to do so may result in serious personal injury.

