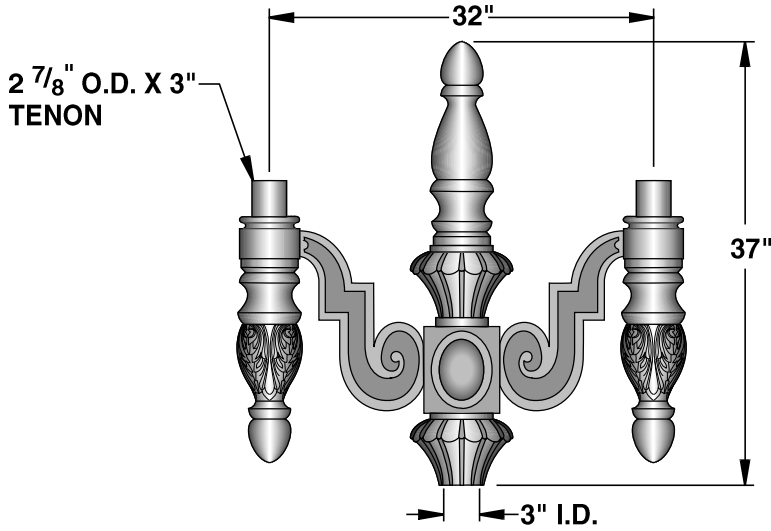
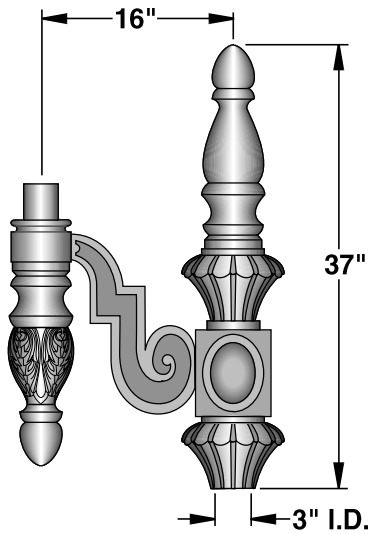


DURABLE CORROSION RESISTANT, CAST ALUMINUM CONSTRUCTION.

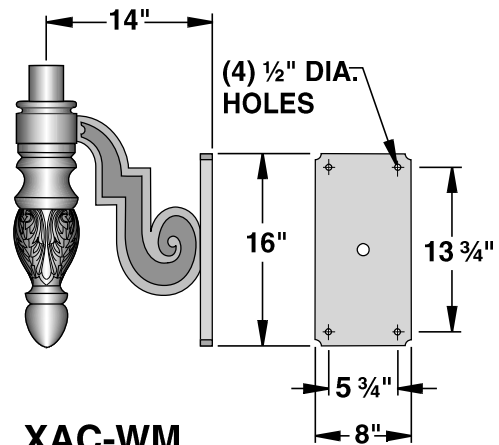


XAC-2-180

SCALE: 3/4"=1'-0"



XAC-1



XAC-WM

