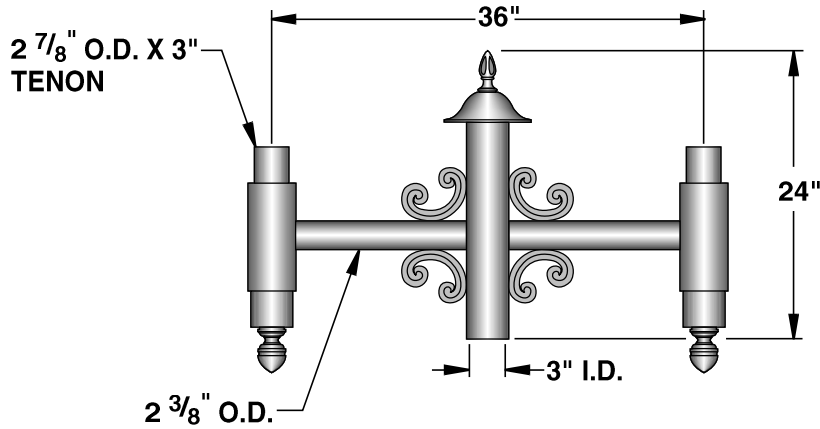


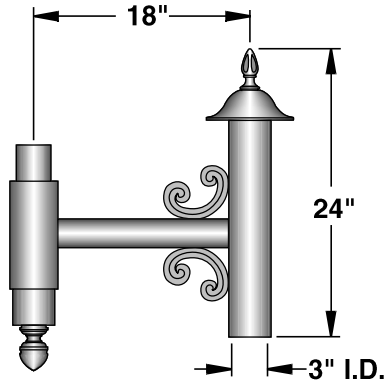


DURABLE CORROSION RESISTANT, CAST AND EXTRUDED ALUMINUM CONSTRUCTION.

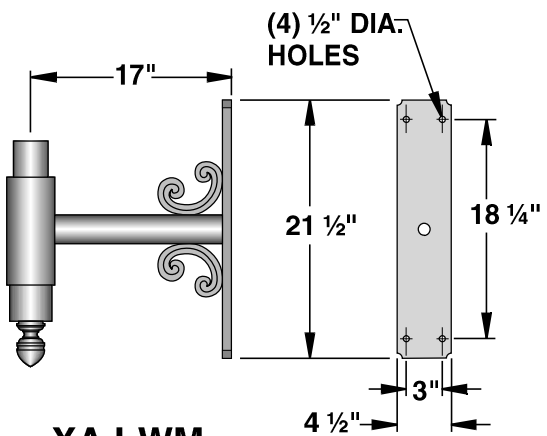
SCALE: 3/4"=1'-0"



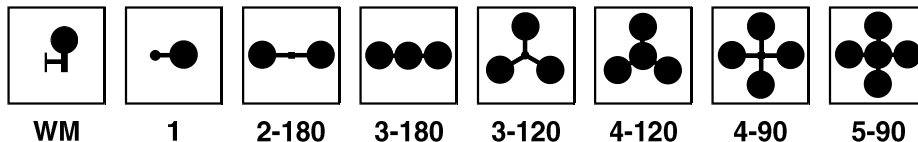
XAJ-2-180



XAJ-1



XAJ-WM



WM

1

2-180

3-180

3-120

4-120

4-90

5-90