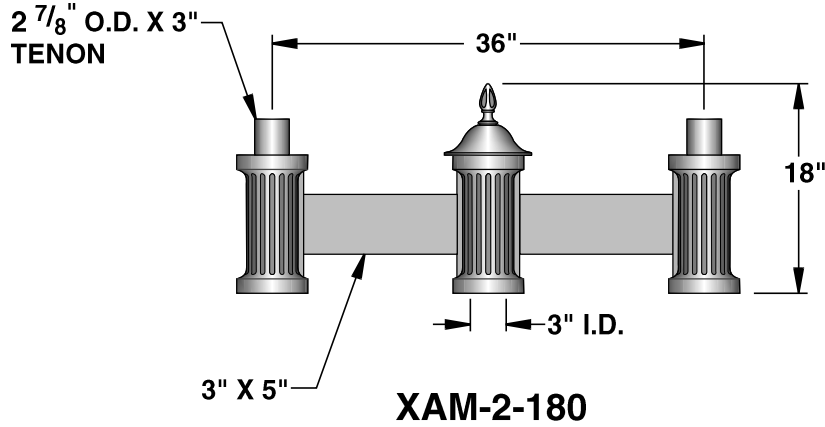


DURABLE CORROSION RESISTANT, CAST AND EXTRUDED ALUMINUM CONSTRUCTION.



SCALE: 3/4"=1'-0"

