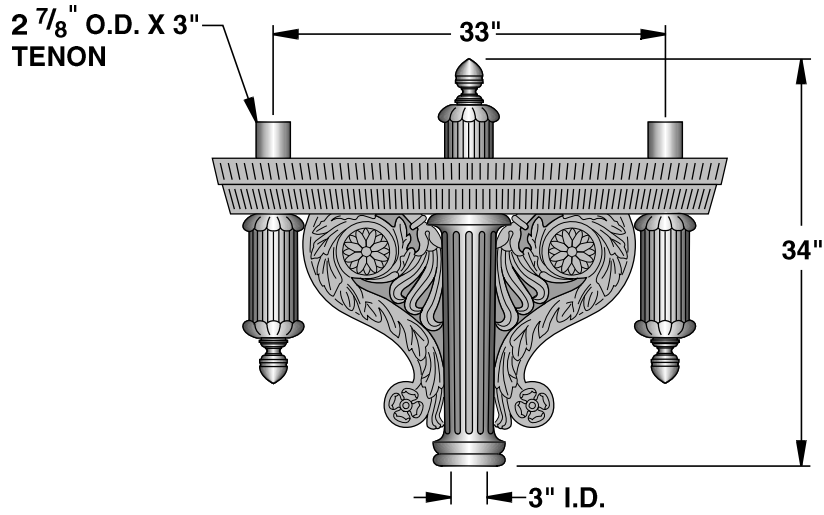
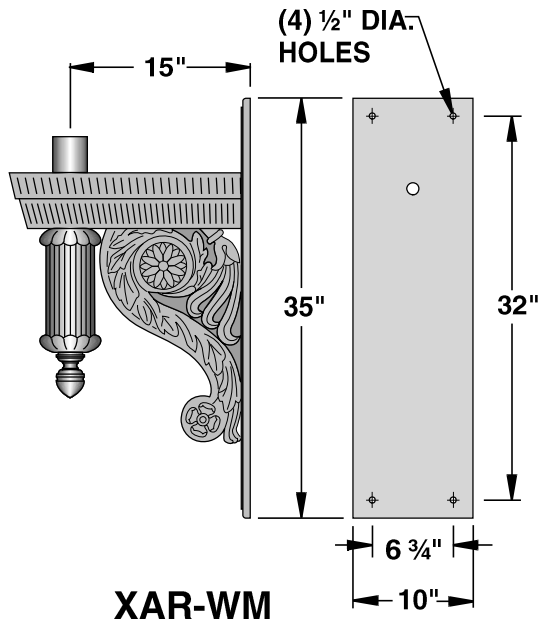


DURABLE CORROSION RESISTANT, CAST ALUMINUM CONSTRUCTION.



XAR-2-180

SCALE: 3/4"=1'-0"



XAR-WM

