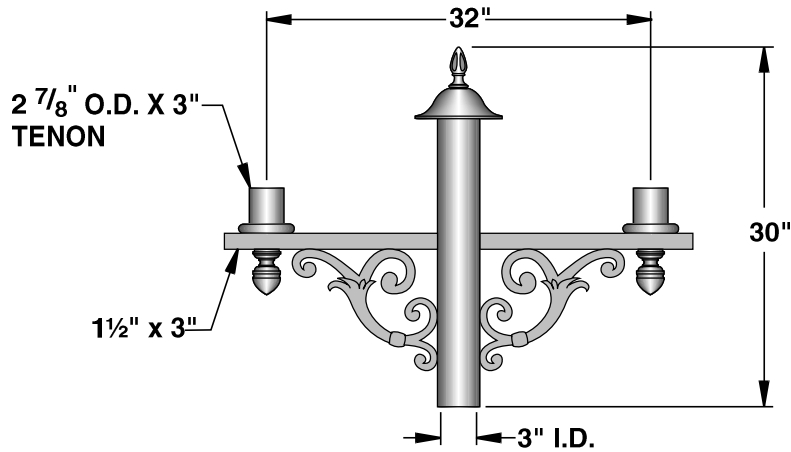


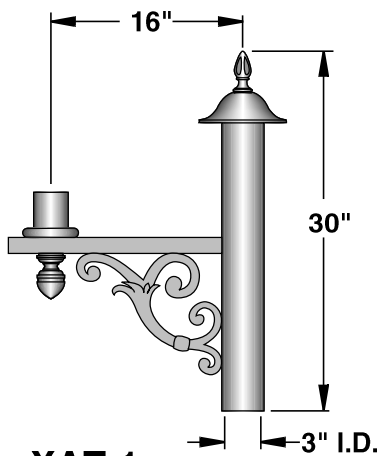


DURABLE CORROSION RESISTANT, CAST AND EXTRUDED ALUMINUM CONSTRUCTION.

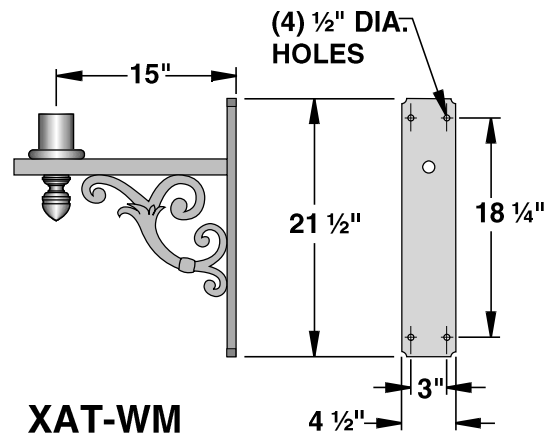


XAT-2-180

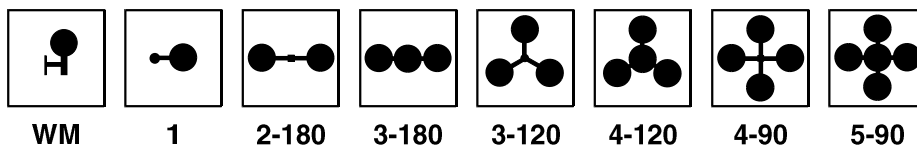
SCALE: 3/4"=1'-0"



XAT-1



XAT-WM



WM

1

2-180

3-180

3-120

4-120

4-90

5-90