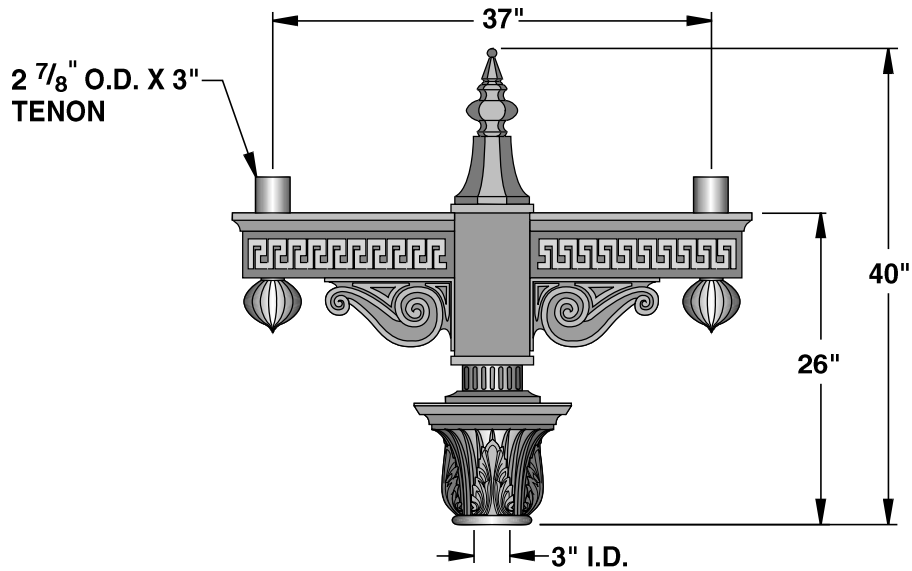
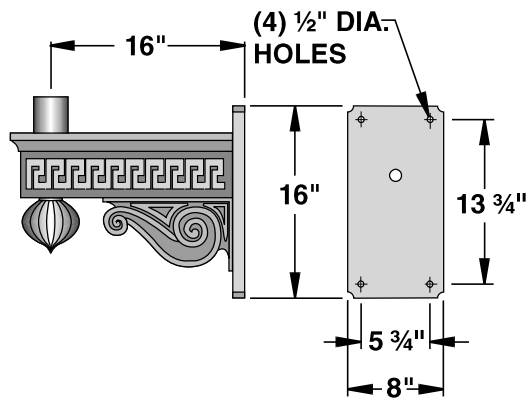


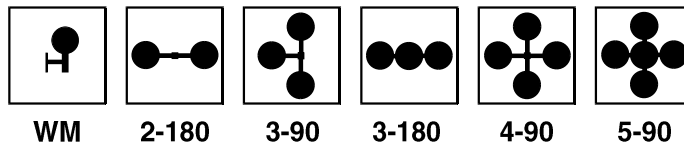
DURABLE CORROSION RESISTANT, CAST ALUMINUM CONSTRUCTION.



XBA-2-180



XBA-WM



SCALE: 3/4"=1'-0"