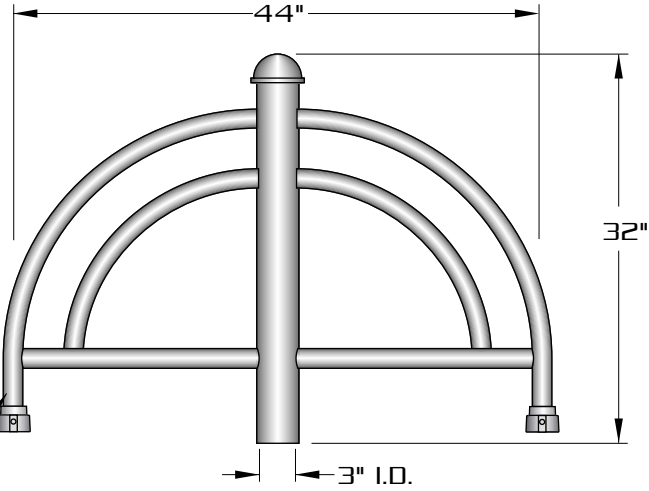


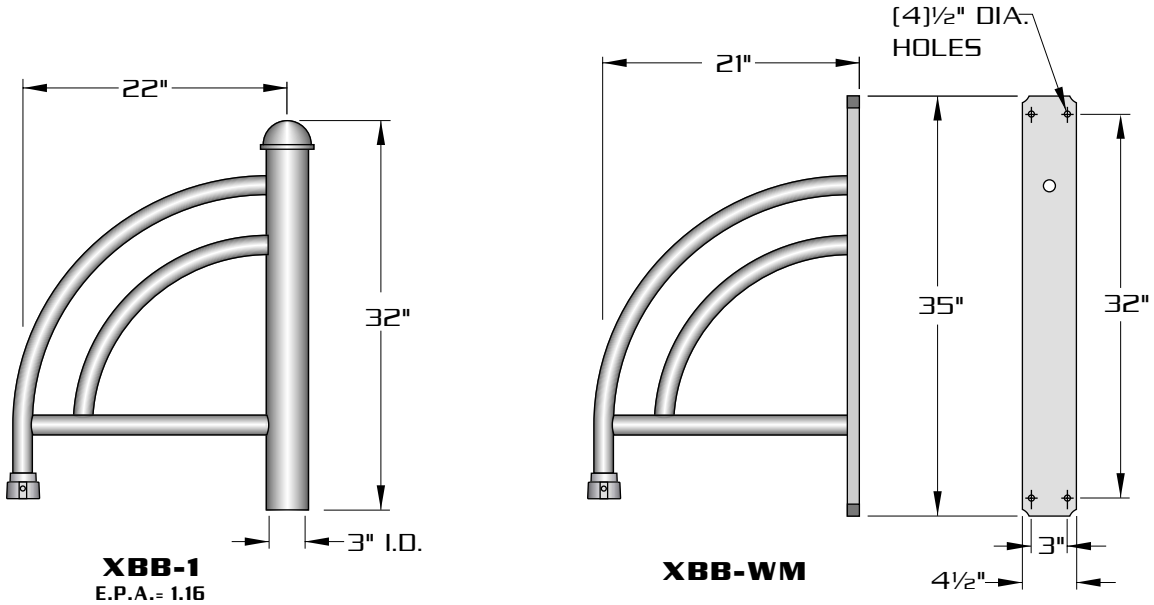
# XBB



1 5/8" O.D. ALUMINUM  
WITH W.P. CAST  
ALUMINUM COVER

**XBB-2-180**  
E.P.A.= 1.74

SCALE: 3/4"=1'-0"



**XBB-1**  
E.P.A.= 1.16

**XBB-WM**



WM



1



2-180



3-120



4-90

**DURABLE CORROSION RESISTANT, CAST AND EXTRUDED ALUMINUM CONSTRUCTION.**