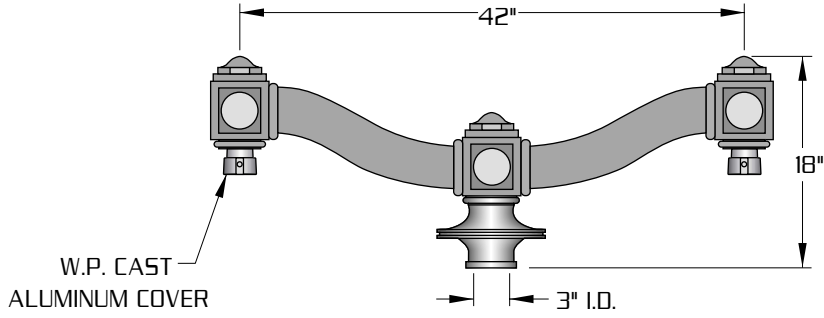
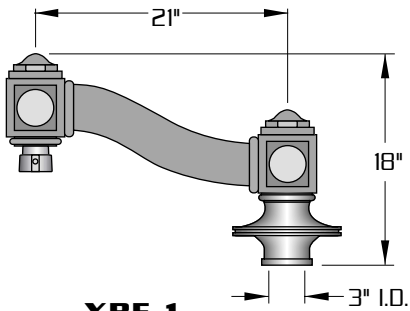


XBE

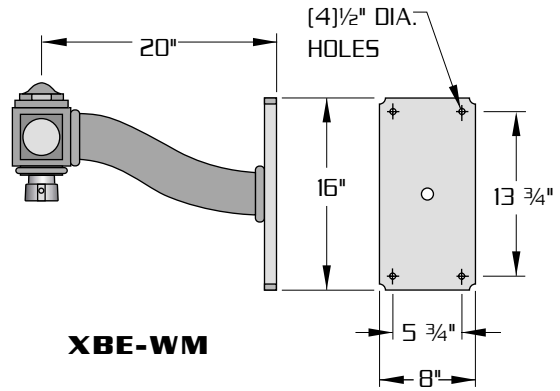


XBE-2-180
E.P.A.= 1.62

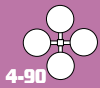
SCALE: 3/4"=1'-0"



XBE-1
E.P.A.= 1.02



XBE-WM



DURABLE CORROSION RESISTANT, CAST ALUMINUM CONSTRUCTION.