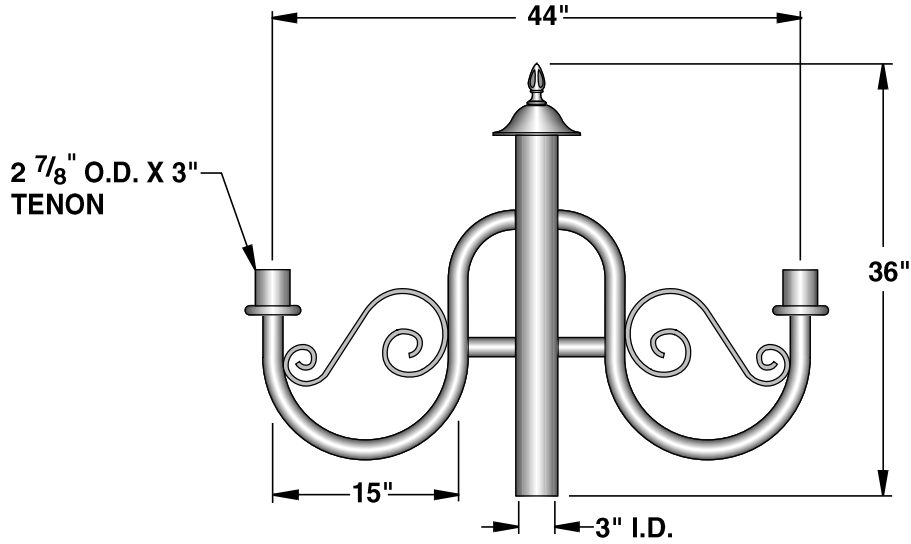


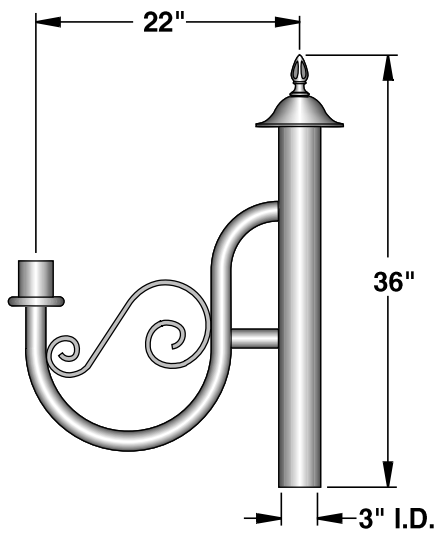


**DURABLE CORROSION RESISTANT, CAST AND EXTRUDED ALUMINUM CONSTRUCTION.**

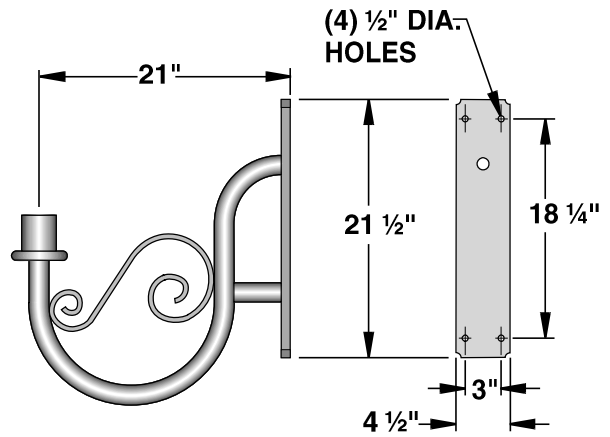


**XBJ-2-180**

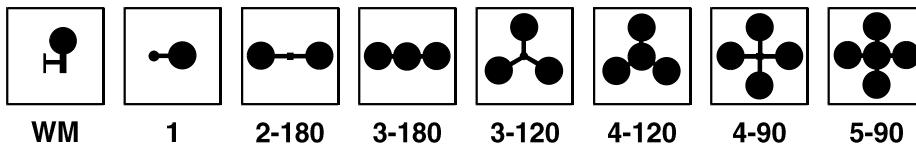
SCALE: 3/4"=1'-0"



**XBJ-1**



**XBJ-WM**



**WM**

**1**

**2-180**

**3-180**

**3-120**

**4-120**

**4-90**

**5-90**