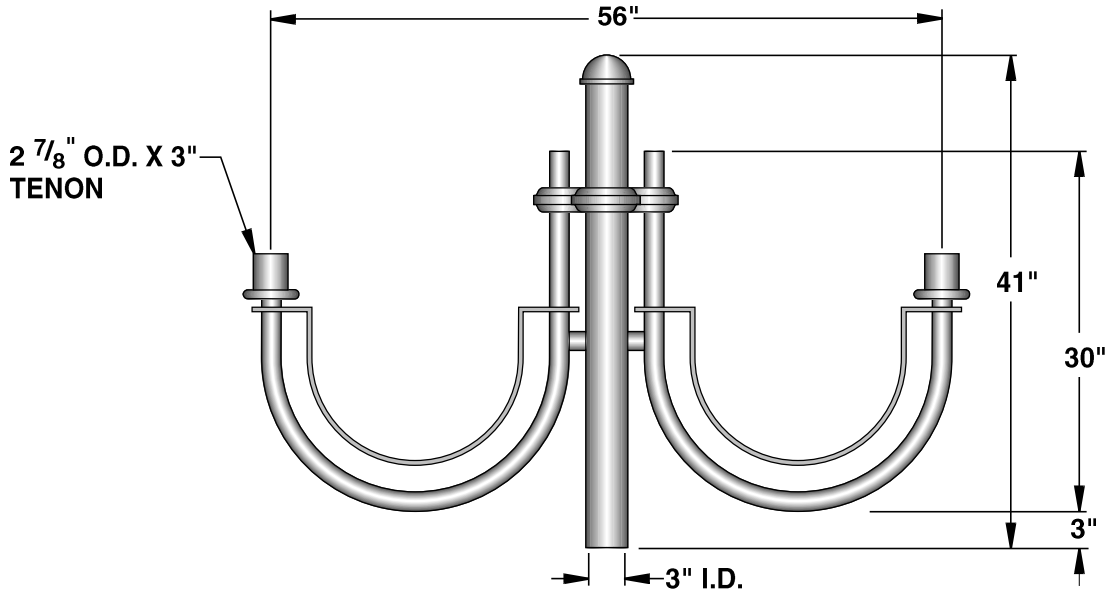
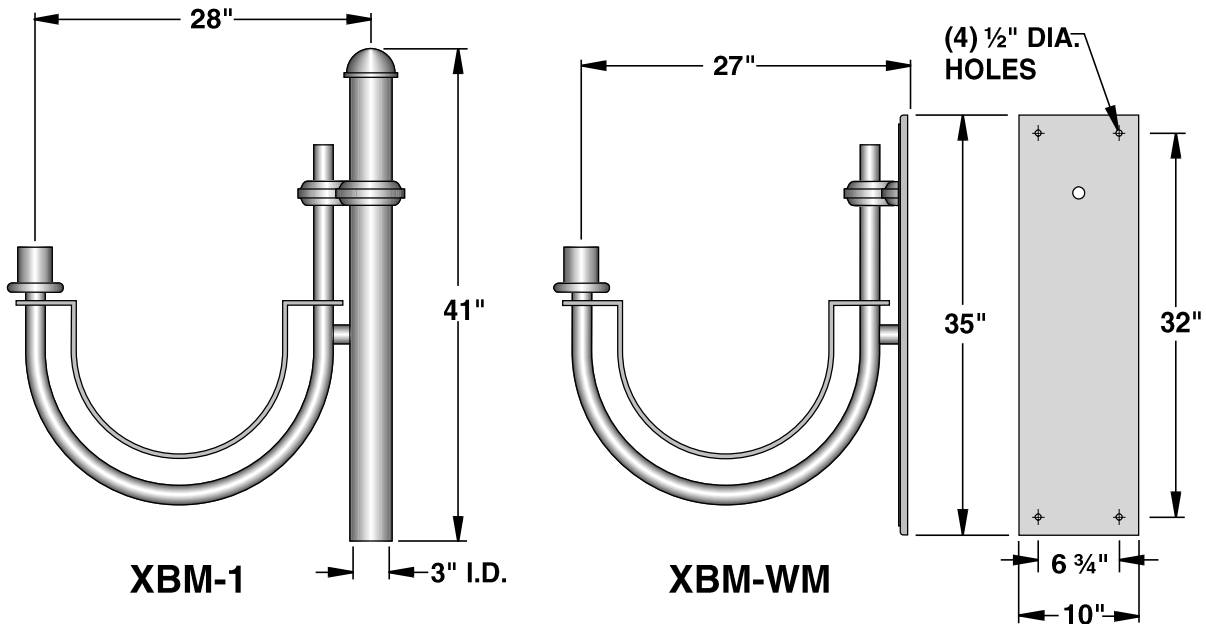


**DURABLE CORROSION RESISTANT, CAST AND EXTRUDED ALUMINUM CONSTRUCTION.**



**XBM-2-180**

SCALE: 3/4"=1'-0"



**XBM-1**

**XBM-WM**

