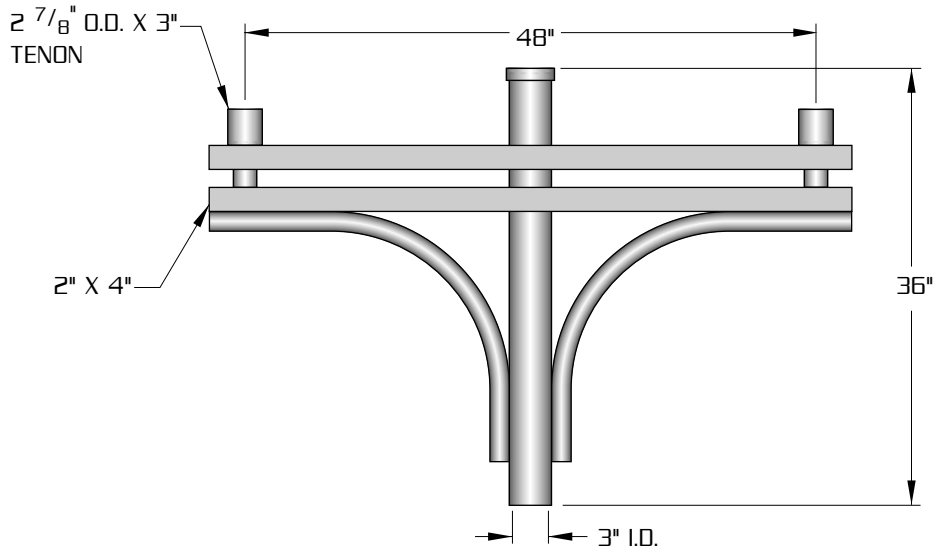
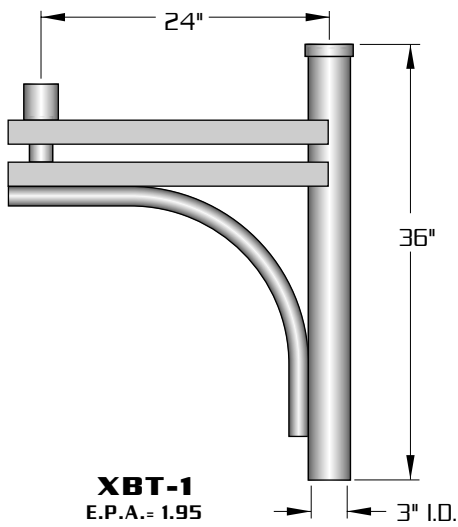


XBT

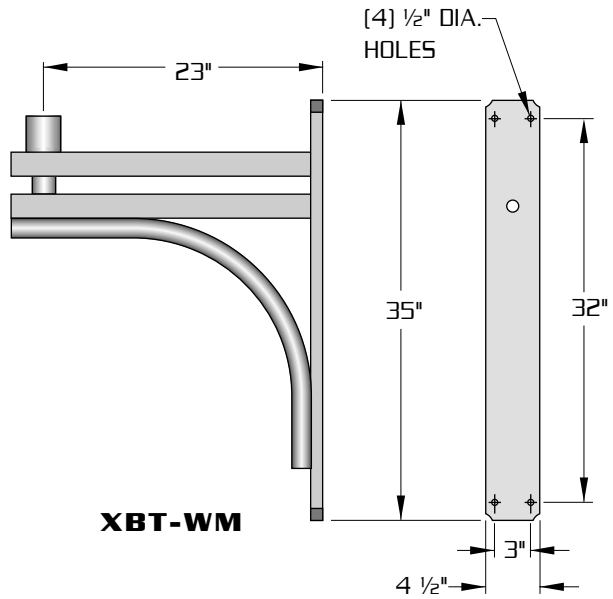


XBT-2-180
E.P.A. = 3.22

SCALE: 3/4"=1'-0"



XBT-1
E.P.A. = 1.95



XBT-WM



WM



1



2-180



3-180



3-120



4-120



4-90



5-90

DURABLE CORROSION RESISTANT, CAST AND EXTRUDED ALUMINUM CONSTRUCTION.