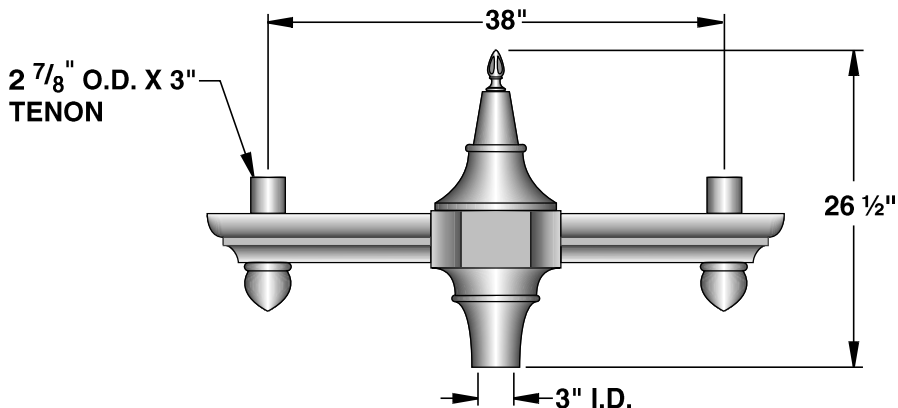
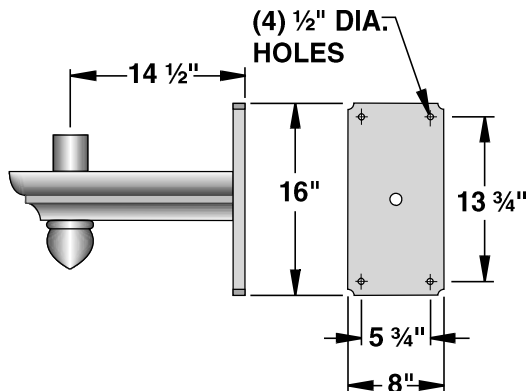


DURABLE CORROSION RESISTANT, CAST ALUMINUM CONSTRUCTION.

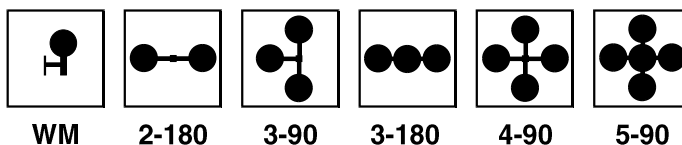


XBW-2-180

SCALE: 3/4"=1'-0"



XBW-WM



WM

2-180

3-90

3-180

4-90

5-90