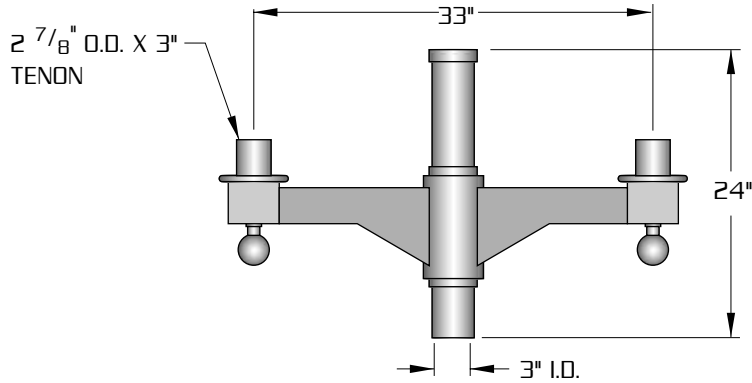
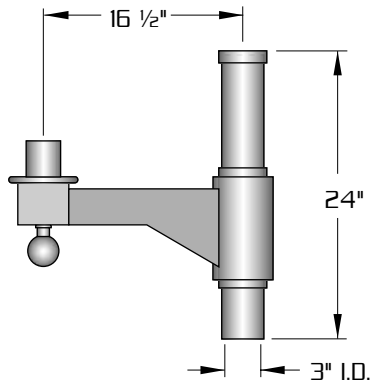


XBY

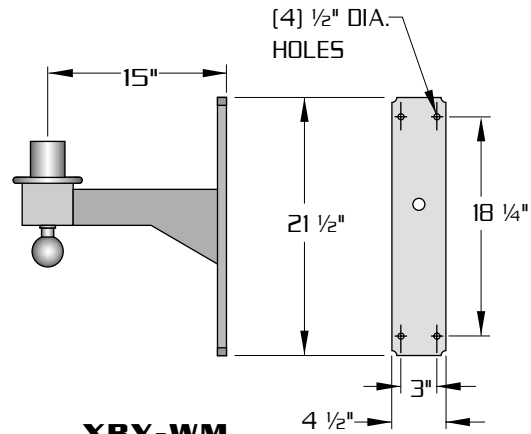


XBY-2-180
E.P.A.= 1.12

SCALE: 3/4"=1'-0"



XBY-1
E.P.A.= 1.73



XBY-WM



DURABLE CORROSION RESISTANT, CAST AND EXTRUDED ALUMINUM CONSTRUCTION.