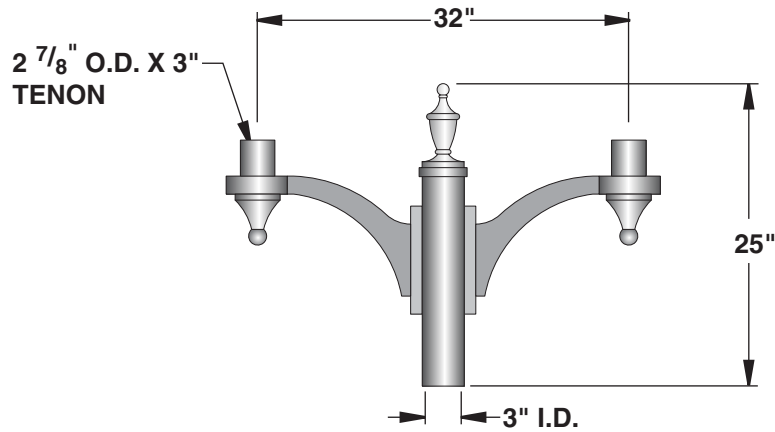
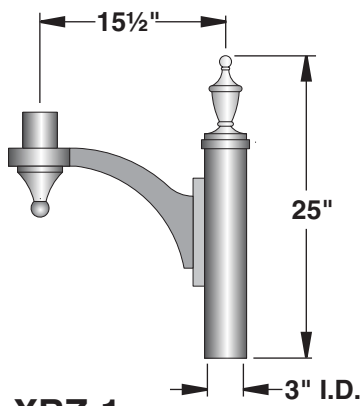


**DURABLE CORROSION RESISTANT, CAST AND EXTRUDED ALUMINUM CONSTRUCTION.**

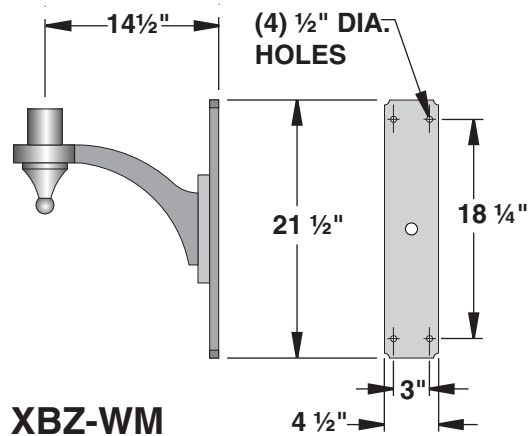


**XBZ-2-180**

SCALE: 3/4"=1'-0"



**XBZ-1**



**XBZ-WM**

